



DayZone – innovative design meets sustainability

DayZone

For general office lighting, customers want to capture the benefits LED technology has to offer – sustainability and fresh, high-impact design, without compromising visual comfort. Our DayZone recessed LED luminaire delivers high-quality functional lighting with an energy efficiency that matches or even outperforms traditional fluorescent systems. But what makes DayZone really shine is its impressive visual comfort. Our innovative use of LED technology has created a luminaire that breaks away from fluorescent lighting designs of the past to offer a striking appearance and light effect. Glare control and color consistency are compliant with future office norms. DayZone is available in square versions and, to ensure a better fit in plaster ceiling applications, in a round housing.

Benefits

- Inspiring design
- Sustainable solution
- Visual comfort

Features

- Lumen package enabling 500 lux using conventional luminaire spacing
- Dedicated MLO optic design
- Special patented light-mixing chamber
- Round housing available for plaster ceiling applications



PHILIPS

Application

- Offices
- Retail
- Hospitality
- Healthcare

Specifications

• Type	BBS560 (module size: 600 mm) BBS562 (module size: 625 mm) BBS567 (module size: 675 mm) BBS561 (round housing)	• Options	Emergency lighting (integrated): 3 hours (EL3)* Lighting controls: Actilume multi-controller (ACL)* Compatible with DALI (only relating to dimmable driver PSD) Euro fuse (FU) included *not for BBS561
• Ceiling type	Exposed- and symmetrical concealed T-bar ceiling and plaster (board) ceiling	• Materials	Housing: zinc-coated steel Rim: post lacquered Optical cover: acrylic (AC-MLO), polycarbonate (PC-MLO)
• Ceiling grid	Module size in length: 600 x 600 mm Module size in length: 625 x 625 mm Module size in length: 675 x 675 mm	• Color	White (WH), silver grey (SI) Standard RAL colors available on request
• Light source	Philips DayZone LED module	• Installation	Exposed ceilings: in lay, no brackets needed Concealed ceilings: bracket ZBS460 SMB (1 set = 4 pcs) reach is 25 - 65 mm Concealed ceiling with T-bar 38 mm: bracket ZBS460 SMB-TPM (1 set = 4 pcs) Brackets for plaster ceilings ZBS460 SMB-PLC (1 set = 12/24 pcs)* Through-wiring possible *Suspension brackets are included for BBS561
• Power (steady state in W, +/- 10%)	4000 K: 51 W (LED35S) 3000 K: 55 W (LED35S)	• Connection	Push-in connector (PI) or with pull relief (PIP) Wieland connector GST 18, 3 or 4 poles (W, W4)
• Beam angle	90°	• Accessories	Suspension bracket sets: ZBS460 SMB (4PCS), ZBS460 SMB-TPM (4PCS), ZBS460 SMB-PLC (12/24PCS)
• Luminous flux	3500 lm (independent of CCT)	• Remarks	Protection foil to protect the optic during installation
• Correlated Color Temperature	3000 or 4000 K	• Main applications	Office, retail, hospitality, healthcare
• Color Rendering Index	80		
• Median useful life L80B50	50,000 hours		
• Median useful life L90B50	25,000 hours		
• Driver failure rate	1% per 5000 hours		
• Average ambient temperature	+25 °C		
• Operating temperature	+10°C < T _a < +40°C		
• Driver	Built-in		
• Mains voltage	230 or 240 V / 50 - 60 Hz		
• Dimming	Compatible with DALI controllers		
• Controls system input	DALI		
• Optical cover	OLC micro-lens optic, partial (AC-MLO-C) OLC micro-lens optic, full (AC-MLO)* OLC micro-lens optic, partial (PC-MLO-C) OLC micro-lens optic, full (PC-MLO)* *not for BBS561		

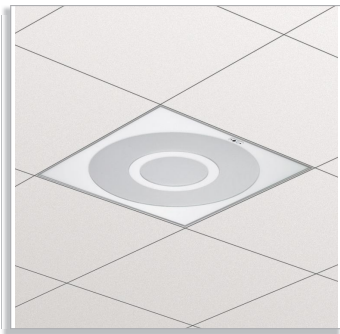
Related products



DayZone BBS560 recessed, 600 x 600 mm module



DayZone BBS562 recessed, 625 x 625 mm module



DayZone BBS560 recessed, 600 x 600 mm module



DayZone BBS561 recessed LED luminaire with partial acrylic Micro-Lens Optic (AC-MLO-C)

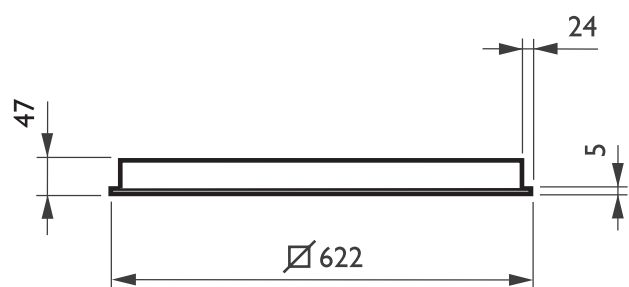


DayZone BBS560 recessed LED luminaire with full acrylic or polycarbonate Micro-Lens Optic (AC-MLO/PC-MLO)

Dimensional drawing

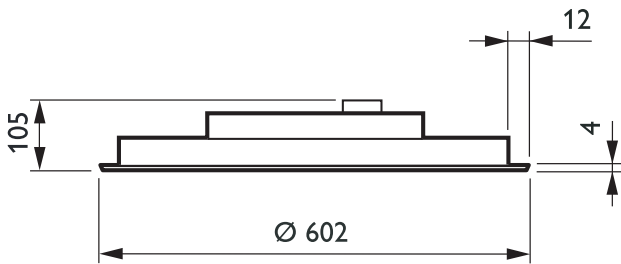


BBS560 LED355/840 PSD AC-MLO-C W



BBS562 LED355/840 PSD AC-MLO-C W

Dimensional drawing



BBS561 LED355/840 PSD AC-MLO-C W

Product details



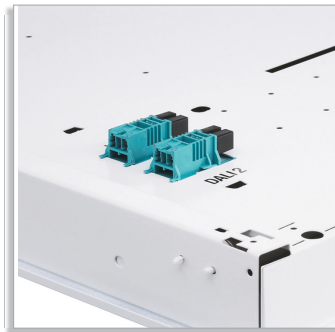
Special patented mixing chamber concept delivers overhead glare control through LED shielding and color consistency throughout the fixture by means of highly reflective coating technology



DayZone only outer zone lit



MLO cover can be opened for easy servicing



Connection block 2 x T-BST14 (Wieland)



Connection block T-GST18 (Wieland)

General information (1/2)

Order code	Product family code	Number of light sources	Lamp family code	Light source replaceable	Gear	Driver included	Optical cover/lens type	Emergency lighting	Embedded control	Dimmable	Protection class IEC
910502003303	BBS560	1	LED35S	false	No	true	AC-MLO-C	No	No	Yes	CLI
910502003403	BBS560	1	LED35S	false	No	true	AC-MLO-C	No	No	Yes	CLI
910502003603	BBS560	1	LED35S	false	No	true	AC-MLO-C	No	No	Yes	CLI
910502003703	BBS560	1	LED35S	false	No	true	AC-MLO-C	No	No	Yes	CLI
910502004903	BBS560	1	LED35S	false	No	true	AC-MLO-C	No	No	Yes	CLI
910502005103	BBS560	1	LED35S	false	No	true	AC-MLO-C	No	No	Yes	CLI
910502003903	BBS562	1	LED35S	false	No	true	AC-MLO-C	No	No	Yes	CLI
910502004003	BBS562	1	LED35S	false	No	true	AC-MLO-C	No	No	Yes	CLI
910502004203	BBS562	1	LED35S	false	No	true	AC-MLO-C	No	No	Yes	CLI
910502004303	BBS562	1	LED35S	false	No	true	AC-MLO-C	No	No	Yes	CLI
910502003503	BBS560	1	LED35S	false	No	true	AC-MLO-C	No	ACL	Yes	CLI
910502003803	BBS560	1	LED35S	false	No	true	AC-MLO-C	No	ACL	Yes	CLI
910502004103	BBS562	1	LED35S	false	No	true	AC-MLO-C	No	ACL	Yes	CLI
910502004403	BBS562	1	LED35S	false	No	true	AC-MLO-C	No	ACL	Yes	CLI
910502005003	BBS560	1	LED35S	false	No	true	AC-MLO-C	No	ACL	Yes	CLI
910502005203	BBS560	1	LED35S	false	No	true	AC-MLO-C	No	ACL	Yes	CLI
910502004503	BBS561	1	LED35S	false	No	true	AC-MLO-C	No	No	Yes	CLI
910502004603	BBS561	1	LED35S	false	No	true	AC-MLO-C	No	No	Yes	CLI
910502004703	BBS561	1	LED35S	false	No	true	AC-MLO-C	No	No	Yes	CLI
910502004803	BBS561	1	LED35S	false	No	true	AC-MLO-C	No	No	Yes	CLI
910502005303	BBS561	1	LED35S	false	No	true	AC-MLO-C	No	No	Yes	CLI
910502005403	BBS561	1	LED35S	false	No	true	AC-MLO-C	No	No	Yes	CLI
910502007303	BBS561	1	LED35S	false	No	true	AC-MLO-C	No	No	Yes	CLI
910502005503	BBS560	1	LED35S	false	No	true	AC-MLO	No	No	Yes	CLI

General information (2/2)

Order code	Product family code	Ingress protection code	Mech. impact protection code	Color	Glow-wire test	Flammability mark	CE mark	ENEC mark
910502003303	BBS560	IP40	IK02	WH	650/5	F	CE	ENEC
910502003403	BBS560	IP40	IK02	WH	650/5	F	CE	ENEC
910502003603	BBS560	IP40	IK02	WH	650/5	F	CE	ENEC
910502003703	BBS560	IP40	IK02	WH	650/5	F	CE	ENEC
910502004903	BBS560	IP40	IK02	WH	650/5	F	CE	ENEC
910502005103	BBS560	IP40	IK02	WH	650/5	F	CE	ENEC
910502003903	BBS562	IP40	IK02	WH	650/5	F	CE	ENEC
910502004003	BBS562	IP40	IK02	WH	650/5	F	CE	ENEC
910502004203	BBS562	IP40	IK02	WH	650/5	F	CE	ENEC
910502004303	BBS562	IP40	IK02	WH	650/5	F	CE	ENEC
910502003503	BBS560	IP40	IK02	WH	650/5	F	CE	ENEC
910502003803	BBS560	IP40	IK02	WH	650/5	F	CE	ENEC
910502004103	BBS562	IP40	IK02	WH	650/5	F	CE	ENEC
910502004403	BBS562	IP40	IK02	WH	650/5	F	CE	ENEC
910502005003	BBS560	IP40	IK02	WH	650/5	F	CE	ENEC
910502005203	BBS560	IP40	IK02	WH	650/5	F	CE	ENEC
910502004503	BBS561	IP40	IK02	WH	650/5	F	CE	ENEC
910502004603	BBS561	IP40	IK02	WH	650/5	F	CE	ENEC

Order code	Product family code	Ingress protection code	Mech. impact protection code	Color	Glow-wire test	Flammability mark	CE mark	ENEC mark
910502004703	BBS561	IP40	IK02	WH	650/5	F	CE	ENEC
910502004803	BBS561	IP40	IK02	WH	650/5	F	CE	ENEC
910502005303	BBS561	IP40	IK02	WH	650/5	F	CE	ENEC
910502005403	BBS561	IP40	IK02	WH	650/5	F	CE	ENEC
910502007303	BBS561	IP40	IK02	WH	650/5	F	CE	ENEC
910502005503	BBS560	IP40	IK02	WH	650/5	F	CE	ENEC

Electrical

Order code	Product family code	Input voltage
910502003303	BBS560	220-240 V
910502003403	BBS560	220-240 V
910502003603	BBS560	220-240 V
910502003703	BBS560	220-240 V
910502004903	BBS560	220-240 V
910502005103	BBS560	220-240 V
910502003903	BBS562	220-240 V
910502004003	BBS562	220-240 V
910502004203	BBS562	220-240 V
910502004303	BBS562	220-240 V
910502003503	BBS560	220-240 V
910502003803	BBS560	220-240 V

Order code	Product family code	Input voltage
910502004103	BBS562	220-240 V
910502004403	BBS562	220-240 V
910502005003	BBS560	220-240 V
910502005203	BBS560	220-240 V
910502004503	BBS561	220-240 V
910502004603	BBS561	220-240 V
910502004703	BBS561	220-240 V
910502004803	BBS561	220-240 V
910502005303	BBS561	220-240 V
910502005403	BBS561	220-240 V
910502007303	BBS561	220-240 V
910502005503	BBS560	220-240 V

Accessories



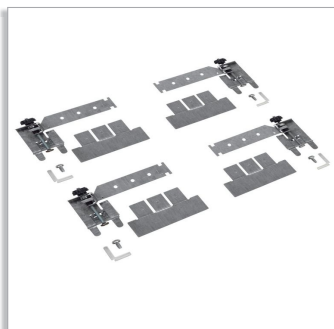
ZBS460 SMB-PLC (1 set = 24PCS)

Brackets for plaster ceilings



ZBS460 SMB-TPM (1 set = 4PCS)

Brackets for concealed ceilings with T-bar 38 mm



ZBS460 SMB (1 set = 4PCS)

Brackets for concealed ceilings

Accessories

Order code	Product family code	Description
910403202503	ZBS460 SMB-PLC (1 set = 24PCS)	Ceiling mounting bracket for plaster ceiling
910403203803	ZBS461 SMB-PLC (1 set = 4PCS)	Ceiling mounting bracket for plaster ceiling
910403204103	ZBS460 SMB-PLC (1 set = 12PCS)	Ceiling mounting bracket for plaster ceiling

Order code	Product family code	Description
910403202603	ZBS460 SMB-TPM (1 set = 4PCS)	Ceiling bracket for T-profile mounting
910403202703	ZBS460 SMB (1 set = 4PCS)	Ceiling mounting bracket



© 2014 Koninklijke Philips N.V. (Royal Philips)
All rights reserved.

Specifications are subject to change without notice. Trademarks are the property of Koninklijke Philips N.V. (Royal Philips) or their respective owners.

www.philips.com/lighting

2014, April 18
data subject to change