



**ZUMTOBEL**

## **Light and Façades**

From architectural emphasis  
to emotive centre stage  
settings.



[linked](#)

All order numbers in the PDF are linked  
to the Zumtobel online catalogue.



## **Light for Façades and Architecture**

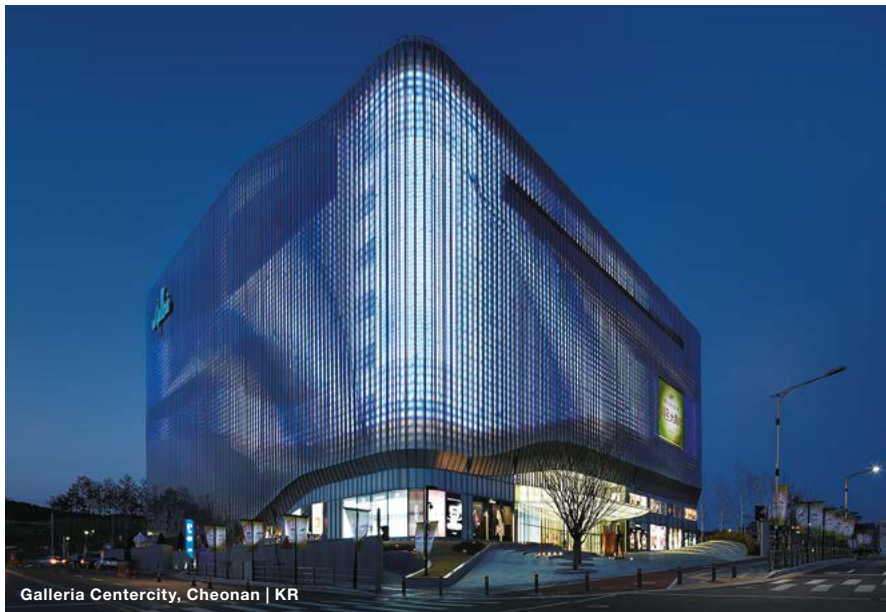


People find the nightscapes around them created by illuminated building façades. These façades facilitate orientation, convey messages, communicate emotions and create attention. Contemporary lighting solutions for building façades need to create added value for local authorities or have architectural or economic merit by making a location more beautiful and safer, showing a building off in the right light or getting a positive corporate image across. Achieving this demands great aesthetic design sensibility. Nowadays, however, lighting solutions also need to be sustainable, save resources and prevent unnecessary light pollution. Zumtobel is able to reconcile all these factors – with a range of luminaires that are specially adapted to cope with demanding lighting tasks. Zumtobel lighting solutions shape a building's architecture and accentuate details in a multifaceted manner by directing light very precisely. These luminaires also cut energy consumption thanks to the use of efficient high-power LEDs. This enables Zumtobel to strike a balance between cultural aspirations and the need to use resources responsibly. Intelligent lighting control systems supplement lighting, turning it into a complete solution that meets any requirements – from discreetly illuminated memorials through to façades that carry media messages.

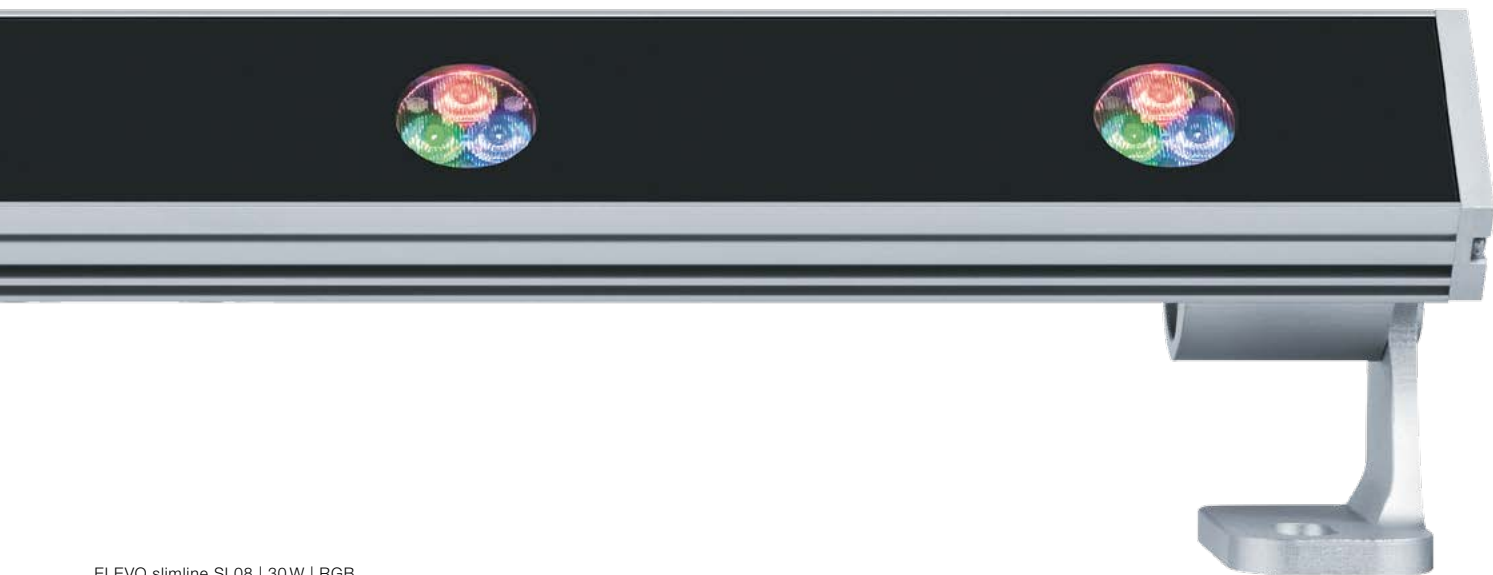
Zumtobel. The Light.



# References



Alta Business Center, Sarajevo, BA / Aros Kunstmuseum, Aarhus, DK / Arts Theatre, Zurich, CH / Balthasar-Neumann-Platz, Werneck, DE / Bauarena, Volketswil, CH / Buromac, Bruges, BE / Cheonan Shopping Galeria, Cheonan, KR / Clarion Apsley House, Glasgow, GB / District heating power plant, Klausen, IT / Dornier Museum, Friedrichshafen, DE / Emporio, Hamburg, DE / EXPO 2008, Zaragoza, ES / Falls Leisure Centre, Belfast, IE / FIFA, Zurich, CH / Gaislachkogelbahn, Sölden, AT / Growing by Numbers LED Festival, Milan, IT / Holocaust Memorial, Lemgo, DE / INCCC Harpa, Reykjavik, IS / John Madejski Academy, Reading, GB / Kunsthalle Wien, Vienna, AT / Lentos Museum, Linz, AT / Manor, Lugano, CH / Maxxi Museum, Rome, IT / Mirage Shopping Center, Zilina, SK / Mürwik Naval Academy, Flensburg-Mürwik, DE / Nordwesthaus Rohner, Fussach, AT / Onassis Foundation, Athens, GR / Palais des Congrès Square, Brussels, BE / Panorama Business Center, Prague, CZ / Parkhotel Weggis, Weggis, CH / Pouw car dealership, Zwolle, NL / Raiffeisen Central Bank, Vienna, AT / Rheinau Art Office, Cologne, DE / Rookery Building, Chicago, US / Scottish Parliament, Edinburgh, GB / Spar Supermarket, Fussach, AT / Sutterlüty, Hohenems, AT / Toulouse Metro station, Toulouse, FR / Turm der Lüfte, Bremen, DE / Vapiano, Oldenburg, DE / Viktoria Clinic, Bochum, DE / Water treatment plant, Liège-Oupeye, Oupeye, BE



ELEVO slimline SL08 | 30W | RGB

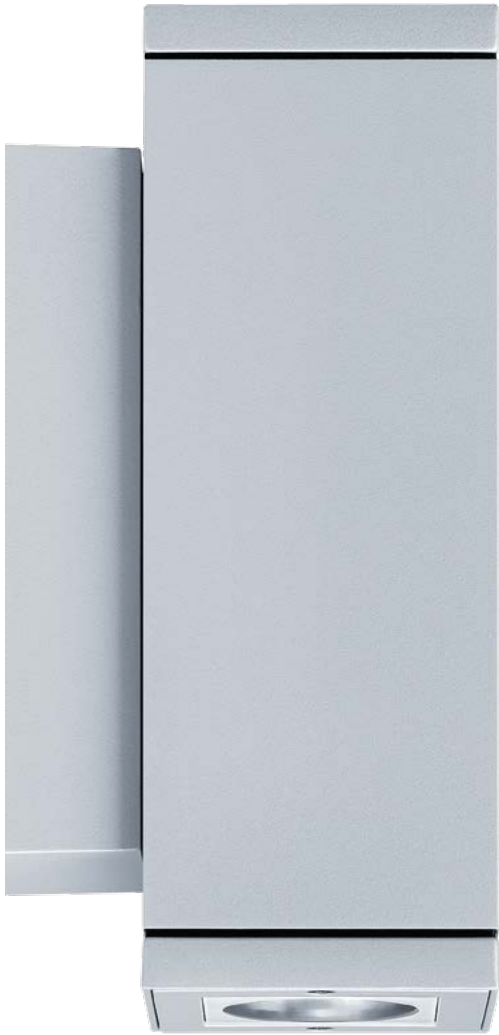


<b>Sustainable Lighting</b>	LED and lighting technology	08
	Luminaire positioning and lighting control	09
<b>Product Design</b>	Application-oriented versatility, easy installation	11
	Long service life, high quality standards	11
<b>Product Matrix</b>	Product overview	14
<b>Products</b>	PYLAS LED spotlight luminaire	16
	IKONO LED wall-mounted luminaire	28
	SKENA LED wall-mounted special-effect luminaire	34
	APHRODITE LED special-effect spotlight	38
	PAN LED recessed luminaire	44
	ELEVO LED-spotlight / wallwasher	48
	LEDOS III LED recessed luminaire	54
	PASO II LED recessed floor luminaire	60
	ORILED LED recessed luminaire	66
	HEDERA LED wallwasher	70
	HILIO LED lighting line	74
	CAPIX evolution LED media luminaire	78
<b>Lighting Management</b>	Efficiency and setting the stage	82
<b>Products</b>	Catalogue information	92



## Sustainable Lighting

Sustainable lighting is underpinned by modern LED technologies and control systems



IKONO-D S LED | 3x2 W | Cool white | Flood

APHRODITE LED RBA/W | 40W



**Exploiting the benefits of LEDs** With modern façade lighting, taking sustainability into account is a matter of course at every stage. While we strive for the best possible energy efficiency, the lighting effect must impress the onlooker. Zumtobel reconciles these two aspects by using the latest state-of-the-art LED luminaires as a matter of priority.

- With up to 135 lm/W, LED luminaires are even more efficient than discharge lamps.
- A service life of 50 000 hours or more means that, assuming a burning time of 10 hours a day, luminaires remain maintenance free for up to 14 years.
- A combination of compact size and special optical systems enables lighting effects that are entirely novel considering the wattages used.
- Besides the classic method of illuminating a building in white light, façades can also be set centre-stage by using dynamic colour sequences, and buildings can also convey messages.
- LEDs have another huge advantage over conventional discharge lamps: LEDs emit light instantly. Zumtobel exploits this fact, in combination with digital control systems, to boost energy efficiency and optimise dynamic lighting installations.



DMX ballast box IP56 | 100 W | DC 24 V



PYLAS L LED RGB | 7 x 2 W | DMX | Flood



**Ideal façade lighting** In the past, wattages of 35 W to 400 W per lighting point were not unusual in the case of HIT floodlights, but many of the luminaire product ranges featured in this brochure operate at maximum wattages of only 25 W. The PYLAS S, PAN and LEDOS III spotlight ranges get by with just 1 W, and PYLAS M and IKONO S luminaires need no more than 10 W. Even our PYLAS XL flagship spotlights operate on 52.5 W, well below previous figures.

Positioning the luminaires right in the physical structure makes the lighting effect significantly better than with banks of high-wattage floodlights that are mounted with greater clearances: such floodlights can only stage a façade relatively inaccurately and are unsightly in the daytime.

The PYLAS S, PAN and LEDOS III spotlight ranges make do with just 1 W. ELEVO P2, PYLAS M and IKONO S need no more than 10 W.

Control is a crucial planning detail for any façade lighting: no two days are alike, the effect of light varies depending on the time of year, and a building or the area immediately adjacent to it is often laid out for various activities. Appropriately adaptive lighting creates added value.

Thanks to Pulse Width Modulation, Zumtobel's LED façade luminaires can often be driven by bus signals produced by any familiar lighting technology:

- SwitchDIM or sequencers are the simplest solution for individual luminaires and small sets of luminaires
- DALI control can also be coordinated with the interior lighting: dimming and limited dynamic colours on up to 2x64 channels
- DMX control for extensive colour-changing control of a relatively large set of RGB luminaires



## Product Design

A clear focus on application

PYLAS XL LED | 21 x 2.25 W | Cool white | Flood

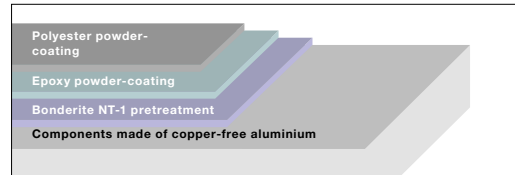




An example of quick installation: the SKENA luminaire head is fitted to a wall plate with a built-in power pack. Through-wiring is also possible.



An example of simple addressing: PYLAS L RGB, PYLAS XL RGB and IKONO M RGB solve the problem by using easily accessible rotary switches.



Excellent quality standard thanks to 3 protective layers.

Zumtobel façade luminaires are built with the individual aspirations of chief architects in mind, as well as lighting designers' preferences, the requirements of installers and the long-term needs of operators.

#### Application-oriented versatility

Façade luminaires have the task of illuminating different building shells – while blending unobtrusively into the background and becoming part of the façade. Zumtobel's product portfolio offers abundant ways of achieving this: recessed and surface-mounted luminaires that are used singly or in groups, depending on the particular task in hand. The surface-mounted luminaires have strictly geometrical shapes, while the recessed luminaires are invisible in the façade.

#### Easy installation and addressing

Because luminaires on a façade are often difficult to access, many product features are intended to simplify installation and avoid addressing errors. The time this saves reduces the cost of a project.

#### Long service life

With luminaires that, because of lighting technology and switching times, often have to operate for 20 years or more without needing maintenance, the durability of luminaire housings and mounting parts is absolutely crucial. What is more, many buildings are located in harsh environments, for instance buildings close to the sea which are exposed to salt-laden sea air. All Zumtobel façade luminaires are marine grade luminaires with heavy-duty protection and are therefore extremely durable.

- Luminaire housing and mounting parts are made of highest-grade, low-copper aluminium alloy.
- After environmentally-compatible cleaning by nano particles using bonderite technology, housings are given a dual-layer powder coating: first an epoxy layer, then a polyester layer is applied and stoved. This make sure that the powder-coated components are protected against moisture and mechanical impact as well as against UV radiation.
- Mounting parts, screw fittings and mechanical connectors are made of highest-grade V4A special steel.

APHRODITE LED RBA/W | 40W





# Product Matrix

Overview of Zumtobel façade luminaires

---

## SPOTLIGHTS AND FLOODLIGHTS

PYLAS



ELEVO P4



ELEVO P2



ELEVO P1



---

## WALL-MOUNTED LUMINAIRES

Downlights  
Downlights/uplights

IKONO



---

## WALL-MOUNTED LUMINAIRES

Special-effect luminaires

APHRODITE



SKENA



---

**RECESSED LUMINAIRES**

PAN



LEDOS III



PASO II



ORILED



---

**WALLWASHERS**

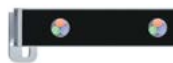
HEDERA



ELEVO line



ELEVO slimline



---

**LIGHT LINES**

HILIO RGB



---

**MEDIA LUMINAIRES**

CAPIX evolution



## PYLAS

Emphasising small details or illuminating wide areas: this extensive range of LED spotlights talks the same design language in all four sizes.

[zumtobel.com/pylas](http://zumtobel.com/pylas)







# PYLAS

## LED spotlight luminaire



PYLAS S LED



PYLAS M LED



PYLAS L LED



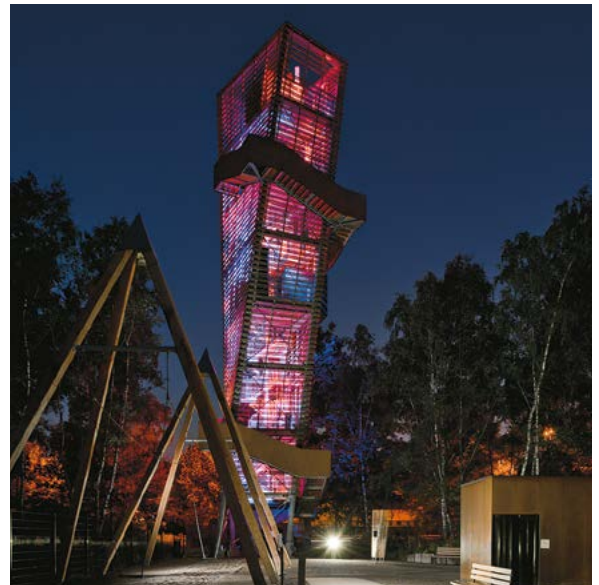
PYLAS XL LED

### Extensive product range

The luminaire design features the same product family concept in all four sizes. This makes it possible to use PYLAS to illuminate details or surfaces while retaining the same design language. The clean, geometric lines of the stretched luminaire housing are relatively inconspicuous and blend into the façade. Rugged materials and dual-layer powder coating make these luminaires extremely robust and durable. As a marine grade luminaire with IP65/IP66 protection, it can even cope with the challenging environmental conditions encountered in coastal areas. White light PYLAS LED floodlights have excellent thermal and mechanical protection: their power units (230 V) are built into the luminaire housing.

**PYLAS RGB in four sizes** PYLAS uses state-of-the-art LED technology to create interesting colour-changing centre-stage settings like those seen in the “Turm der Lüfte” in Bremen. All four sizes of the colour-changing LED spotlights have a consistent design and use DMX 512 signals which are standard for RGB façade lighting. The DALI technology used in the interior can also be adapted as a custom solution for smaller projects.

In the PYLAS sizes L and XL, all power units (230V) are fitted ready for direct electrical contact, as are rotary switches for correct DMX addressing. Due to their miniaturised dimensions, PYLAS sizes S and M are 24V DC luminaires. They can be connected through PWM (Pulse Width Modulation) signals to a separate IP56 DMX supply box which is available as an accessory. The luminaires can also be controlled individually via three-channel PWM power units (24V) using sequencers, 1–10V or DALI signals. Using well-known market standards allows a high degree of flexibility in an extremely wide variety of projects.



**Turm der Lüfte, Bremen | DE**

Light design: Lichtwerke Bremen, Bremen | DE  
Lighting solution: PYLAS L LED RGB floodlights





PYLAS S LED RGB



PYLAS M LED RGB



PYLAS L LED RGB



PYLAS XL LED RGB



Narrow-beam or wide-angle: extremely efficient lenses add the perfect finishing touch to high-precision lighting technology with system luminous flux levels in excess of 60 lm/W.



The luminaire head is positioned securely by an adjustable graduated swivel joint and two hexagon socket screws.



Tight-fitting glass panes flush-mounted in the frame prevent trapped rainwater from causing dirt marks, thereby reducing illuminance. The luminaire is almost self-cleaning.



A hinge allows the glass cover to be folded down if maintenance or cleaning is required. Convenient single-handed installation from a ladder or an aerial platform makes maintenance easy and safe.

# PYLAS

## Size S

PYLAS S LED | 1.2W | Cool white | Flood



### PYLAS S

The compact dimensions of LEDs pave the way for miniaturising luminaires, especially those used for accent lighting. This is a particularly attractive aspect, especially for façade lighting. Used alone or in conjunction with LEDOS III and PAN, PYLAS S allows entirely new approaches to lighting design using luminaires that consume just 1.2 W.

All PYLAS S luminaires are fitted with a 500 mm lead and an IP67 cramping connector to ensure easy electrical contact. The white-light floodlights have a built-in mains transformer. RGB luminaires need a DMX ballast box (accessory) to relay DMX signals, but can also be driven by 1–10 V or DALI signals.

### PYLAS S

#### Power consumption

1 x 1.2W LED white  
3 x 1.2W LED RGB

#### Luminous flux of luminaire

PYLAS S white: 60–96 lm

#### Beam angle

7° superspot  
31° flood

#### Colour temperature

3200 K | 6000 K | RGB changing colours

#### LED service life

50000 hrs. at up to 70% luminous flux

#### Protection type/protection class

IP66, protection class I LED white (AC/DC 230 V)  
IP66, protection class III LED RGB (DC 24 V)

#### Swivel range

Approx. -40° to +90°

#### Accessories

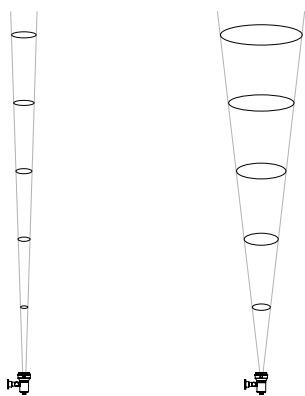
Anti-glare shield, ground spike, mounting clasp,  
IP56 DMX ballast box



PYLAS S LED RGB | 3x1.2W | Flood



**PYLAS S lighting cone**



7° (6000K)			23° (6000K)		
5 m	Ø 0.58 m	165 lx	5 m	Ø 2.00 m	13 lx
4 m	Ø 0.46 m	258 lx	4 m	Ø 1.60 m	20 lx
3 m	Ø 0.35 m	459 lx	3 m	Ø 1.20 m	36 lx
2 m	Ø 0.23 m	1032 lx	2 m	Ø 0.80 m	80 lx
1 m	Ø 0.12 m	4130 lx	1 m	Ø 0.40 m	320 lx



White light with narrow-beam or flood light distribution



Used with a mounting strap, the spotlight can be installed quickly and easily on piers, balustrades or load-bearing elements.



A ground spike allows flexible, even temporary installation



Anti-glare shield for perfect glare control in conformity with Dark Sky specifications



# PYLAS

## Size M

PYLAS M LED | 4x2.25W | Cool white | Flood



### PYLAS M

Accentuates and illuminates projecting features, objects, smaller columns or other details on façades: in situations where 50 or 75 W halogen spotlights were previously used, nowadays it is possible to use 10 W lighting points very efficiently; in addition, they have a service life that is roughly 25 times longer. The mains transformer is already fitted in the white light floodlights.

PYLAS M RGB consumes no more than 8 W to produce dynamic colour sequences. Relaying DMX signals requires a DMX ballast box (accessory), but the RGB floodlights can also be driven by 1–10 V or DALI signals.

**IP56 DMX ballast box** For power supply, electric feed and relaying the DMX signal: on the secondary side of the ballast box for RGB luminaires, there are four cable glands for connecting four luminaires or sets of luminaires that are interconnected via distribution boxes. Therefore, all connected 24 V DC luminaires have the same address, which ensures synchronous sequencing. The DMX supply box is wall mounted in the vicinity of the luminaire (up to 50 m away). One unit can be connected to up to 20 PYLAS S RGB or 8 PYLAS M RGB spotlights. Pre-programmed standard colour sequences can be generated using appropriate DIP switch settings in the DMX supply box.

### PYLAS M

**Power consumption**

4 x 2.25 W LED white  
4 x 2 W LED RGB

**Luminous flux of luminaire**

PYLAS M white: 370–550 lm

**Beam angle**

7° superspot  
23° flood

**Colour temperature**

3200 K | 6000 K | RGB changing colours

**LED service life**

50 000 hrs. at up to 70 % luminous flux

**Protection type/protection class**

IP66, protection class I LED white (AC/DC 230 V)  
IP66, protection class III LED RGB (DC 24 V)

**Swivel range**

Approx. -21° to +201°

**Accessories**

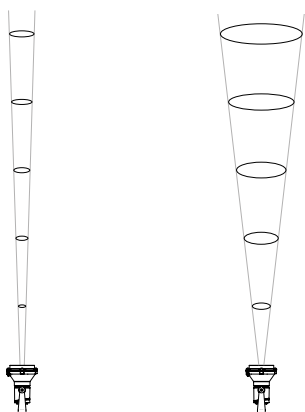
Anti-glare shield, ground spike,  
IP56 DMX ballast box



PYLAS M LED RGB | 4x2W | Flood



**PYLAS M lighting cone**



**7° (6000K)**

10 m	Ø 1.19 m	222 lx
8 m	Ø 0.95 m	347 lx
6 m	Ø 0.71 m	617 lx
4 m	Ø 0.48 m	1388 lx
2 m	Ø 0.24 m	5552 lx

**22° (6000K)**

10 m	Ø 3.96 m	20 lx
8 m	Ø 3.17 m	31 lx
6 m	Ø 2.38 m	55 lx
4 m	Ø 1.58 m	125 lx
2 m	Ø 0.79 m	499 lx



DMX ballast box with terminals and DMX controller



Anti-glare shield for perfect glare control in conformity with Dark Sky specifications



# PYLAS

## Size L

PYLAS L LED | 7x2.25W | Cool white | Superspot



### PYLAS L

100 W halogen spotlights or 20 or 35 W HIT spotlights were previously used to illuminate vertical surfaces, columns and balconies on façades. With a power draw of just 17.5 W, PYLAS L offers similar lighting levels, plus high efficiency and a service life of 50 000 hours. As a colour-changing LED floodlight, it still only draws 14 W max.

Both types are completely self-contained and can be connected directly to the mains supply and bus supply. The models that produce white light include a mains transformer and a terminal block for through-wiring. The RGB luminaire housing contains a DMX converter and rotary switches used for addressing.

### PYLAS L

#### Power consumption

7 x 2.25 W LED white  
7 x 2 W LED RGB

#### Luminous flux of luminaire

PYLAS L white: 790–1 015 lm

#### Beam angle

6° superspot  
22° flood

#### Colour temperature

3 200 K | 6 000 K | RGB changing colours

#### LED service life

50 000 hrs. at up to 70 % luminous flux

#### Protection type/protection class

IP66, protection class I LED white (AC/DC 230 V)  
IP65, protection class I LED RGB

#### Swivel range

Approx. - 14° to + 194°

#### Accessories

Anti-glare blades, anti-glare shield,  
ground spike, clamp for fitting to masts

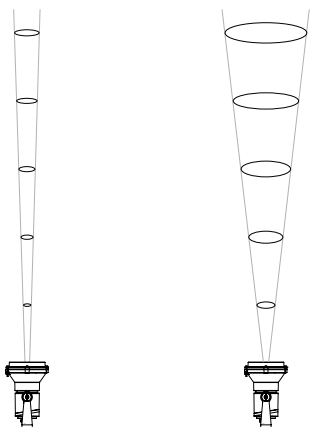




PYLAS L LED RGB | 7x2W | Flood



**PYLAS L lighting cone**



**7° (6000K)**

20 m	Ø 2.45 m	123 lx
16 m	Ø 1.96 m	192 lx
12 m	Ø 1.47 m	342 lx
8 m	Ø 0.98 m	770 lx
4 m	Ø 0.49 m	3079 lx

**22° (6000K)**

20 m	Ø 7.85 m	11 lx
16 m	Ø 6.28 m	17 lx
12 m	Ø 4.71 m	30 lx
8 m	Ø 3.14 m	67 lx
4 m	Ø 1.57 m	269 lx



White light with narrow-beam or flood light distribution



A ground spike allows flexible, even temporary installation



Anti-glare shield for perfect glare control in conformity with Dark Sky specifications



# PYLAS

## Size XL

PYLAS XL LED | 21 x 2.25 W | Cool white | Flood



### PYLAS XL

The largest unit in this product range is designed to illuminate correspondingly large vertical surfaces, tall columns and façade features. With a power consumption of just over 50 W and a service life of 50 000 hours, PYLAS XL is a great alternative to the 70 W HIT spotlights that were usually used for this purpose. Floodlights with white LEDs have a built-in power converter and a terminal block for through-wiring.

The colour-changing PYLAS XL with RGB gets by with just 25 W. A DMX converter and rotary switches used for addressing are already fitted. Both the white and colour-changing PYLAS XL floodlights are therefore completely self-contained and can be connected directly to the mains supply and bus supply.

### PYLAS XL

#### Power consumption

21 x 2.25 W LED white  
21 x 2 W LED RGB

#### Luminous flux of luminaire

PYLAS XL white: 870–3 600 lm

#### Beam angle

6° superspot  
22° flood

#### Colour temperature

3 200 K | 6 000 K | RGB changing colours

#### LED service life

50 000 hrs. at up to 70 % luminous flux

#### Protection type/protection class

IP66, protection class I LED white (AC/DC 230 V)  
IP65, protection class I LED RGB

#### Swivel range

Approx. - 19° to + 199°

#### Accessories

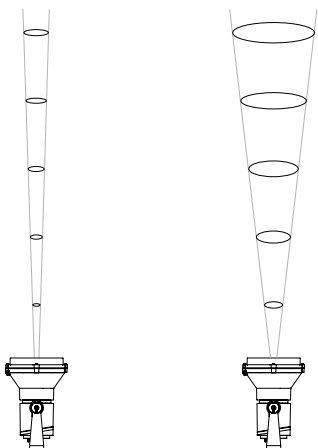
Anti-glare blades, anti-glare shield,  
clamp for fitting to masts



PYLAS XL LED RGB | 21 x 2 W | Flood



**PYLAS XL lighting cone**



7° (6000K)		
40 m	Ø 4.89 m	93 lx
32 m	Ø 3.91 m	145 lx
24 m	Ø 2.94 m	257 lx
16 m	Ø 1.96 m	579 lx
8 m	Ø 0.98 m	2317 lx

22° (6000K)		
40 m	Ø 15.70 m	8 lx
32 m	Ø 12.56 m	12 lx
24 m	Ø 9.42 m	21 lx
16 m	Ø 6.28 m	48 lx
8 m	Ø 3.14 m	192 lx



White light with narrow-beam or flood light distribution



Highly efficient RGB colour-changing lighting with flood light distribution



Easy addressing: addressing in the case of PYLAS L RGB and PYLAS XL RGB is performed easily via three rotary switches that are accessed by unscrewing a cover.



## IKONO

Creative design using light:  
downlights and downlights/uplights  
in three square sizes structure  
façades with a wealth of patterns  
and effects.

[zumtobel.com/ikono](http://zumtobel.com/ikono)





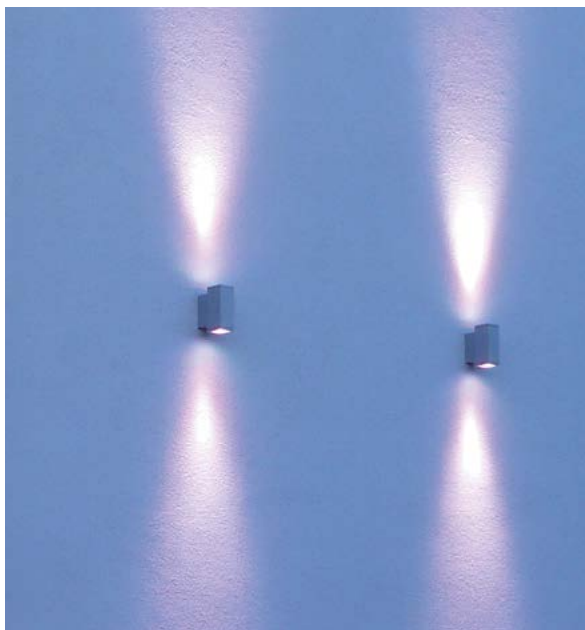
 **ZUMTOBEL**

# IKONO

## Wall-mounted LED luminaire

Zumtobel GmbH, Lemgo | DE

Lighting solution: IKONO-I/D S RGB wall-mounted LED luminaire



IKONO-D S LED | 3x2W | Cool white | Spot



### Light patterns and colour effects

Wall-mounted luminaires that deliver directional light, fulfil functional lighting tasks and are also used as design elements. IKONO luminaires provide direct and indirect/direct illumination that can stretch or accentuate a façade, giving it an intriguing appearance in the dark.

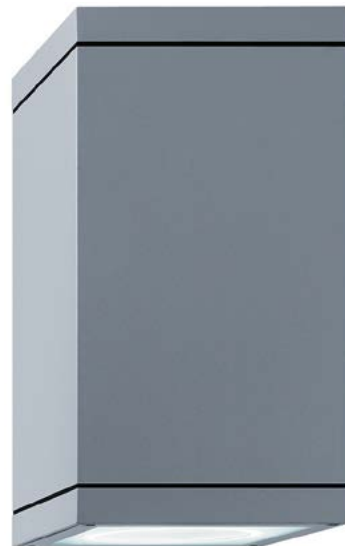
Previously, these luminaires, especially when used in smaller sizes, were fitted with not very energy-efficient halogen lamps. Now, every IKONO size exploits the benefits of LEDs – with warm white or cool white, narrow-beam or wide-angle cones of light. The smaller and medium-sized IKONO S RGB and IKONO M RGB harness the emotive effects of colour-changing light. They are primarily used in entrance areas of event locations, restaurants and catering facilities, or in passageways. These luminaires are used to lend structure to buildings and break up the different sections of a building to great effect. They are controlled by DMX signals or by project-specific, customer-provided bus signals.



IKONO-D M LED RGB | 15 W | Flood



IKONO-D L LED | 25 W | Cool white | Flood



DMX ballast box with terminals and DMX controller



Time-saving quick-disconnect connector: mounting plate with plug/socket system for internal voltage and bus supply between wall plate and luminaire housing



Built-in mains transformer and DMX addressing for IKONO M RGB with wide-angle light distribution



Lighting head can swivel in luminaire housing: cones of light can be accurately adjusted on the wall



Impressive illuminance levels thanks to leading LED technology: IKONO S draws just 6 W



Multichip LEDs for sizes M and L: just 15 W and 25 W are sufficient for the high illuminance levels and precise light guidance that have been perfected by Zumtobel with specially developed sputter-coated plastic reflectors that ensure high light output ratios.



Flush-fitted glass diffusers with no raised luminaire frame prevent dirt accumulation and the reduced light that this causes. The luminaire is almost self-cleaning.

# IKONO

## Wall-mounted LED luminaire

IKONO-D S LED RGB | 3x2W | Flood



### IKONO

#### Power consumption

IKONO S: 1 or 2x6W LED  
1 or 2x6W LED RGB  
IKONO M: 1 or 2x15W LED  
1 or 2x13W LED RGB  
IKONO L: 1 or 2x25W LED

#### Luminous flux of luminaire (downlight)\*

IKONO-S white: 240–360 lm  
IKONO-M white: 950–1 000 lm  
IKONO-L white: 1 800–2 015 lm

#### Beam angle

12° spot, 24° flood, size S  
15° spot, 42° flood, size M  
11° spot, 41° flood, size L

#### Colour temperature, white

3 200 K and 6 000 K, size S  
3 000 K and 6 500 K, sizes M and L

#### LED service life

50 000 hrs. at up to 70% luminous flux

#### Protection type/protection class

IP65, protection class I (AC/DC 230 V)  
IP65, protection class III LED RGB IKONO S (DC 24 V)

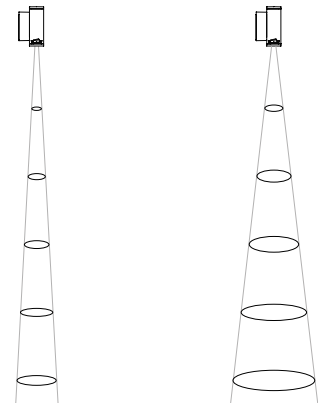
#### Swivel range

Approx. ± 15°

#### Accessories

DMX ballast box for IKONO S LED RGB

### IKONO-D S lighting cone



#### 12° (6000 K)

1 m	Ø 0.21 m	6 440 lx
2 m	Ø 0.41 m	1 610 lx
3 m	Ø 0.62 m	716 lx
4 m	Ø 0.83 m	402 lx
5 m	Ø 1.03 m	258 lx

#### 24° (6000 K)

1 m	Ø 0.43 m	1 645 lx
2 m	Ø 0.85 m	411 lx
3 m	Ø 1.28 m	183 lx
4 m	Ø 1.70 m	103 lx
5 m	Ø 2.13 m	66 lx

\* Note: The luminaire's luminous flux specified is doubled for all downlight/uplight models.





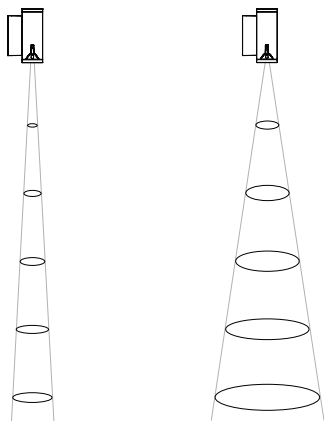
IKONO-D M LED | 15 W | Warm white | Spot



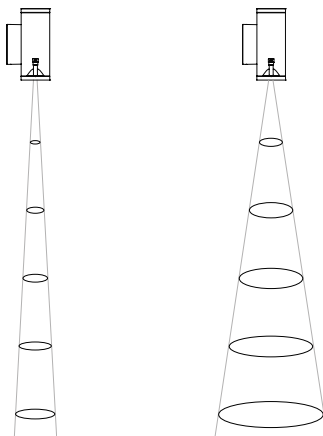
IKONO-D L LED | 25 W | Warm white | Flood



IKONO-D M lighting cone



IKONO-D L lighting cone



**15° (6500 K)**

2 m	Ø 0.54 m	2 085 lx
4 m	Ø 1.08 m	521 lx
6 m	Ø 1.62 m	232 lx
8 m	Ø 2.16 m	130 lx
10 m	Ø 2.70 m	83 lx

**42° (6500 K)**

2 m	Ø 1.41 m	587 lx
4 m	Ø 2.82 m	147 lx
6 m	Ø 4.23 m	65 lx
8 m	Ø 5.63 m	37 lx
10 m	Ø 7.04 m	23 lx

**11° (6500 K)**

2 m	Ø 0.45 m	5 745 lx
4 m	Ø 0.90 m	1 436 lx
6 m	Ø 1.35 m	638 lx
8 m	Ø 1.79 m	359 lx
10 m	Ø 2.24 m	230 lx

**41° (6500 K)**

2 m	Ø 1.36 m	1 078 lx
4 m	Ø 2.72 m	269 lx
6 m	Ø 4.09 m	120 lx
8 m	Ø 5.45 m	67 lx
10 m	Ø 6.81 m	43 lx



## SKENA

From sensational eye-catcher to geometrical structures: this wall-mounted LED luminaire sets the scene for façades with exceptional light patterns.

[zumtobel.com/skena](http://zumtobel.com/skena)





# SKENA

## Wall-mounted special-effects LED luminaire

Vapiano restaurant, Oldenburg | DE  
Project showing one possible application



### SKENA

**Power consumption**  
10 W

**Luminous flux of LED**  
784 lm

**Colour temperature**  
6000K

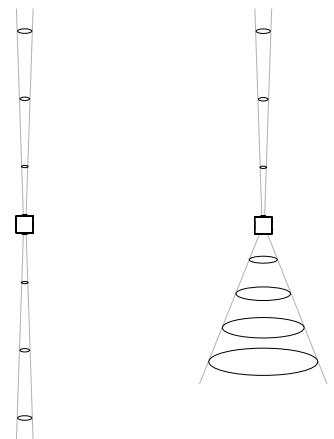
**LED service life**  
50000 hrs. at up to 70% luminous flux

**Protection type/protection class**  
IP65, protection class I (230 V AC/DC)

### Striking geometry

Wall-mounted special effects luminaires are a fascinating tool for painting walls and façades with light and making them look stunningly different. In the past, it was mainly high-wattage halogen and discharge lamps that were used to achieve this, but SKENA now uses advanced LED technology: used in combination with optimised optical systems, it needs just 10 W to produce impressive results. Thanks to three different luminaire types with different numbers of light windows and different light distributions, the creative design possibilities are almost boundless. These LED cubes can be positioned on a façade in various ways. Single luminaires or small groups can be used as eye-catchers. A larger number of luminaires can be positioned geometrically for more expansive configurations that have a correspondingly greater long-distance effect; the luminaires can also be rotated in 45° increments. In particular, this is a way of giving surfaces that appear somewhat monotonous in the day a fascinating night-time look without breaking the bank.

### SKENA lighting cone

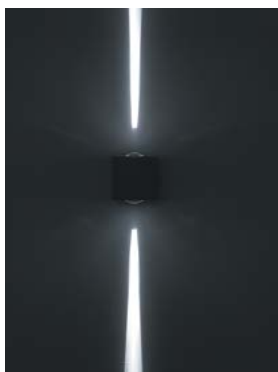


SKENA LED | 10W | Cool white  
 Quadruple superspot



**SKENA 1**

Narrow-beam uplight and downlight



Elegant grazing light in two directions divides up vertical surfaces to great effect, lending them extravagant appeal and new shine.

**SKENA 2**

Narrow-beam uplight, wide-angle downlight



SKENA uses two different cones of light to combine a wallwashing effect with wall outlining over a defined length.

**SKENA 3**

Narrow-beam in all four directions



Narrow-beam cones of light from all four sides of the cube paint star-shaped effects on the wall.



The SKENA luminaire head is attached to the wall plate with a built-in power pack and allows the possibility of through-wiring.



The optical system comprises a conical, highly specular reflector and an LED board that emits an indirect light beam and narrow-beam or wide-angle glass lenses.



## APHRODITE

Unique, emotionally charged lighting scenes: this LED spotlight features randomly variable light, colour and action.

[zumtobel.com/aphrodite](http://zumtobel.com/aphrodite)

The ZUMTOBEL logo is located on the bottom right of the image, on the white surface of the spotlight's housing. It consists of a small square icon followed by the brand name in all caps.



# APHRODITE

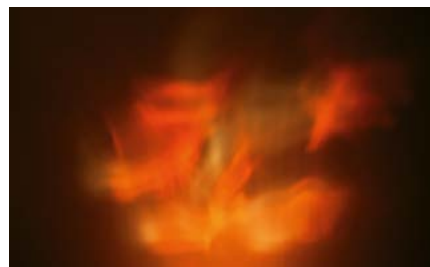
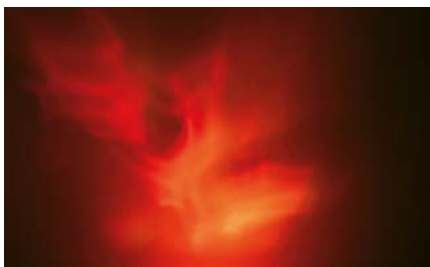
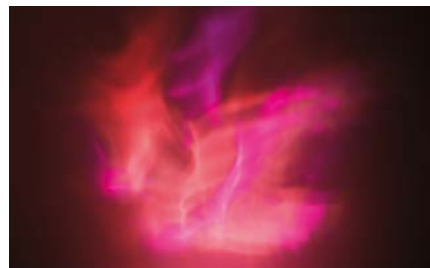
Spotlight for special lighting effects

APHRODITE lighting scenes



▶ APHRODITE at zumtobel.com

▶ APHRODITE on youtube.com





“Light reflected on the sea, on glass and in sunlit water have always fascinated me. For me, the APHRODITE spotlight embodies precisely this diversity which only light is capable of conveying: moving light creates a sense of well-being, invites contemplation and encourages communication and creativity. Everyone is familiar with the fascinating images that we imagine in the flickering light of a fire. Atmospheric images spring to life naturally as if of their own accord – APHRODITE does the same thing. This LED spotlight unites all the qualities of the emotive effects of light and enhances them with a unique balance of sensuality and rationality. Through intensive cooperation with Zumtobel and cutting-edge LED technology, we have managed to turn this philosophy into reality.”



**Nik Schweiger**  
Interior designer BDIA  
biorhythm Design Studio, Berlin



# APHRODITE

## Special-effects LED spotlight

ArtDesign, Feldkirch | AT

Lighting solution: APHRODITE 40 W



APHRODITE LED RBA/W | 40W | Ceiling mounted

### Functional, emotive special-effect lighting

The APHRODITE LED spotlight combines light, colour and movement in a fascinating manner that makes it possible to set façades and rooms centre-stage in an impressive way. Based on the lighting spectacles found in nature, a unique lighting concept has been developed that is characterised by highly emotive lighting scenes. This is made possible by continuously flowing, ever-changing light projected by a system incorporating a special LED module and a rotating glass cylinder (patent pending).

Objective, emotive or passionate? APHRODITE produces the required ambience. A choice of seven pre-defined lighting scenes with three speeds and various dimming levels is available. They create richly varied lighting scenarios from functional white light in various colour temperatures, combined with coloured light from red, blue and amber LEDs.

It is very easy to operate the spotlight: individual lighting scenes, and the projection direction and speed can be set manually via momentary-action switches on the spotlight or by remote control via DMX protocol. The luminaire comes ready to connect and is fitted with an earthing pin plug.

Thanks to IP65 protection and the use of materials that are highly resistant to chlorine, APHRODITE is also an eye-catcher in wellness areas or swimming pools, inviting people to relax. APHRODITE is also extremely flexible when it comes to installation: its mounting bracket ensures secure fixing to walls, ceilings and floors.

#### APHRODITE

**Power consumption**  
40 W LED RBA/W

**Colour temperature**  
White tones: 3000K, 4200K, 6500K  
Colours: red, amber, blue

**LED service life**  
35000 hrs. at up to 70% luminous flux

**Protection type/protection class**  
IP65, protection class III





Housing made of die-cast aluminium with high-grade matt white powder coating (RAL 9016); IP65 protection, excellent protection against corrosion and use of materials that are highly resistant to chlorine make this luminaire suitable for use in wellness areas and swimming pools.

DMX control via XLR 5 connector

Manual operation via push-button; left-hand momentary-action switch for speed setting and reduced illuminance; right-hand momentary-action switch for setting one of seven pre-defined lighting scenes and increased illuminance.



An in-house developed LED module and the specially designed, motor-driven glass cylinder produce refracted light that is projected in constantly changing, fascinating light patterns.



An effective ribbed structure ensures a well-balanced cooling system and adds a final flourish to the design.



## PAN

Concealed in the façade: this accent-lighting recessed LED luminaire makes a completely new idea for individual building stage settings come to life.

[zumtobel.com/pan](http://zumtobel.com/pan)





# PAN

## Recessed LED luminaire

### Emporio, Hamburg | DE

Lighting solution: PAN Recessed LED luminaire



### The miniaturised alternative to conventional floodlights

With its extremely compact size and low power consumption, PAN has perfected centre-stage settings that are as individual and energy-saving as possible. Precise light distribution sets PAN apart from bulky floodlights that throw light across large areas of façades and often look out of place in the daytime.

Product development focused on illuminating windows, parapets and alcoves: PAN is a recessed luminaire that blends seamlessly into the façade structure; an equally discreet surface-mounted housing is available as an accessory. With three different beam patterns, the miniaturised LED luminaire caters for specific lighting needs: window reveals are precisely lit with an ellipsoidal lens, and a specially developed anti-glare device eliminates any trace of glare. Façade details are selectively illuminated by rotationally symmetrical spot and flood optics.

PAN LED luminaires fitted in window reveals consume less energy at night than a small domestic appliance, as demonstrated beautifully by the Hotel Emporio.

#### PAN

##### Power consumption

1.25W

##### Luminous flux of luminaire

77–100lm

##### Beam angle

11° spot

37° flood

Asymmetric, ellipsoidal

##### Colour temperature

3200K | 6000K

##### LED service life

50000 hrs. at up to 70% luminous flux

##### Protection type/protection class

IP65, protection class III (350mA)

##### Accessories

Anti-glare shutters, surface-mounted housing, IP55 supply box



PAN LED | 1.25 W | Cool white | Flood

PAN LED | 1.25 W | Warm white | Spot

PAN LED | 1.25 W | Cool white | Asymmetric optic

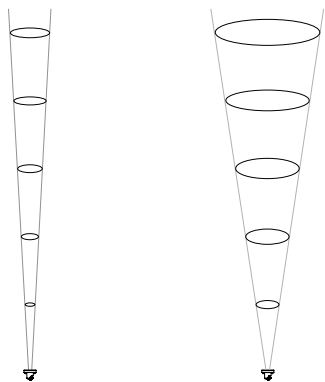


Wide-angle flood optic: 37°

Narrow-beam spot optic: 11°

Ellipsoidal lens for precisely lit window bays

**PAN lighting cone**



11° (6000 K)			37° (6000 K)		
5 m	Ø 0.93 m	65 lx	5 m	Ø 2.94 m	8 lx
4 m	Ø 0.74 m	101 lx	4 m	Ø 2.35 m	13 lx
3 m	Ø 0.56 m	180 lx	3 m	Ø 1.77 m	23 lx
2 m	Ø 0.37 m	404 lx	2 m	Ø 1.18 m	51 lx
1 m	Ø 0.19 m	1 617 lx	1 m	Ø 0.59 m	203 lx



Cube-shaped surface-mounted housing for surface mounting of the type required on buildings that have protected historical monument



Direct wiring and electrical contact are completely protected against moisture: the 3 m factory-fitted power cord is also available in special lengths for specific projects



Anti-glare shutters combined with ellipsoidal lens in window bays that are particularly susceptible: prevents entry and escape of distracting scattered light



Compact IP55 supply box for convenient installation of 6 or fewer PAN luminaires: includes switched power pack, contact terminals (series connection) and jumpers for any electric feeds that are not used



## ELEVO

Precise light without any visible luminaire: reduced to a minimum height, this high-power LED luminaire is hidden from passers-by view.

[zumtobel.com/elevo](http://zumtobel.com/elevo)







# ELEVO

## LED spotlight / wallwasher

### The Rookery Building, Chicago | US

Architects: Burnham & Root, Chicago | US

Lighting design: Office for Visual Interaction, Inc. (OVI), New York | US

Lighting solution: ELEVO LED spotlight



ELEVO P1 | 4 W | RGB



ELEVO P2 | 7 W | RGB | Elliptic



ELEVO P4 | 15 W | Warm white | Elliptic



### Accents for near and far

Precise and flexible: the flat LED spotlight is less than 3.5 cm high but handles an extremely wide range of lighting tasks brilliantly. It emphasises façade elements, relief slabs and projecting features, backlights surfaces uniformly and sets tall columns and portals centre stage with equally striking effectiveness. A linear wallwasher that is available in lengths of 400 mm, 800 mm and 1200 mm, the compact, low-profile ELEVO line LED light line is perfectly suited for illuminating large façades and surfaces.

ELEVO combines various light distribution patterns with the option of selecting either warm white or cool white light. In this way, both historic redbrick façades and contemporary metal façades can be illuminated authentically or set centre stage using coloured and dynamic lighting in order to catch people's attention.

The flat, compact design of the ELEVO LED spotlight turns it into an inconspicuous integral part of the façade that is invisible to passers-by. Intelligent thermal management protects it against overheating and enables to use ELEVO even at high ambient temperatures due to the luminaire's automatic dimming function.

The monochrome luminaire can be switched, or dimmed via a separate PWM control line, thereby reducing energy consumption by reducing the lighting level at night, for instance. The RGB luminaire, however, is controlled via the fast, dynamic DMX protocol, setting the façade centre stage by means of colours and dynamism.



Freely adjustable fixing brackets of two different heights attach the LED luminaire to floors, ceilings or walls as required.



The IP65-protected connector kit provides 24 V power supply and transmits dimming signals.



ELEVO line L12 | 45W | RGB | Elliptic



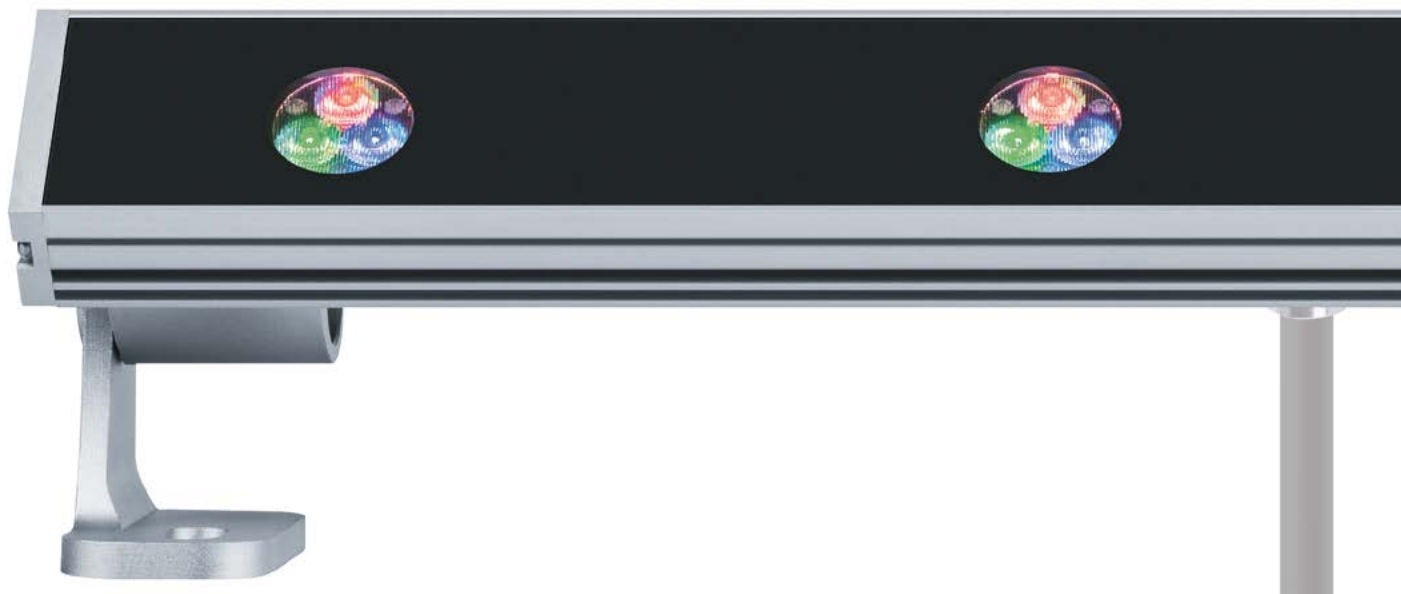
ELEVO slimline SL04 | 15W | RGB | Elliptic



# ELEVO

## LED spotlight / wallwasher

ELEVO slimline SL04 | 15W | RGB



### ELEVO

#### Power consumption

P1: 4 W  
P2: 3 W, 6,5 W, 7 W  
P4: 14 W, 15 W  
L04: 15 W, 18 W  
L08: 30 W, 36 W  
L12: 45 W, 54 W  
SL04: 15 W  
SL08: 30 W  
SL12: 45 W

#### Beam angles

7° superspot beam  
19° narrow beam  
31° wide beam  
43° x 17° elliptic beam

#### Colour temperature

3200 K | 6000 K  
RGB

#### LED service life

50000 hrs. at up to 70 %  
luminous flux

#### Protection type/ protection class

IP65, protection class II  
IP66, protection class III

#### Temperature rang

-30 °C to +60 °C (in operation)  
A built-in overheating protection will automatically dim down the luminaire if the ambient temperature gets too high.

#### Accessories

Fixing brackets  
Connector kit (dimmable)  
Converter (switchable)  
Cable and plug IP66  
Connecting cable  
Addressing tool (DMX)

#### Luminous flux of luminaire

ELEVO P1: Approx.  
230 lm voor 3200 K  
300 lm voor 6000 K  
180 lm voor RGB (100 %)

ELEVO P2: Approx.  
450 lm for 3200 K  
600 lm for 6000 K  
380 lm for RGB (100 %)

ELEVO P4: Approx.  
800 lm for 3200 K  
1000 lm for 6000 K  
600 lm for RGB (100 %)

ELEVO L04/SL04: Approx.  
900 lm for 3200 K  
1200 lm for 6000 K  
750 lm for RGB (100 %)

ELEVO L08/SL08: Approx.  
1800 lm for 3200 K  
2400 lm for 6000 K  
1500 lm for RGB (100 %)

ELEVO L12/SL12: Approx.  
2700 lm for 3200 K  
3600 lm for 6000 K  
2250 lm for RGB (100 %)

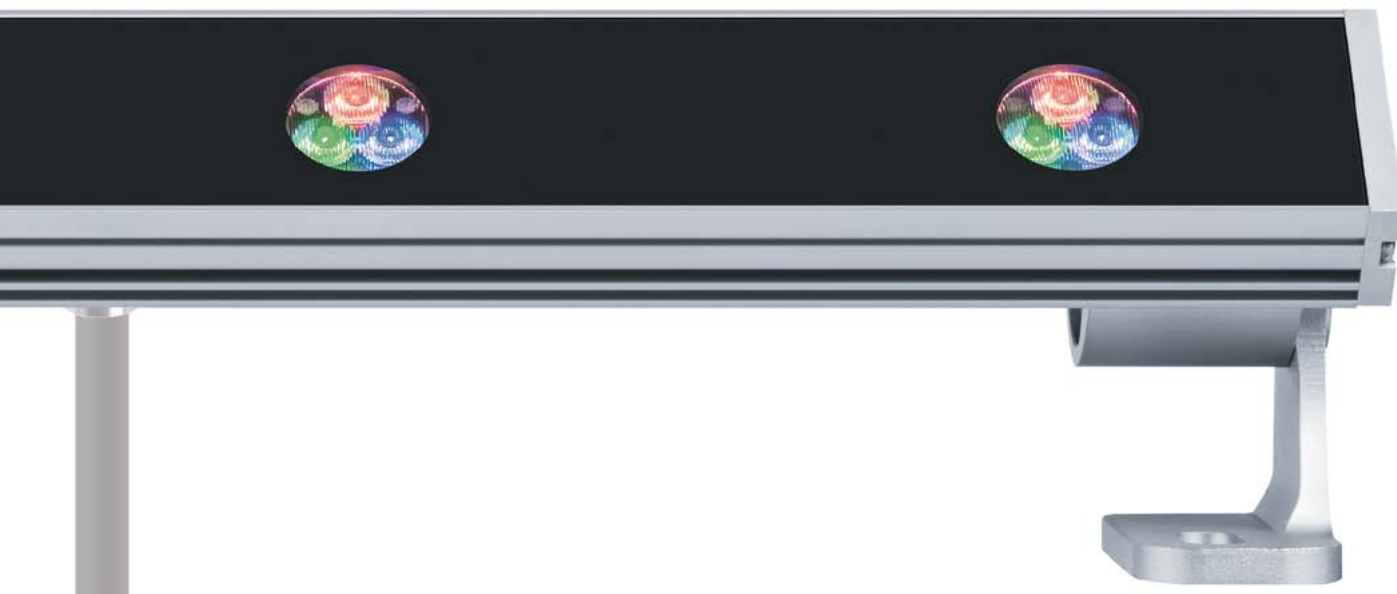
### ELEVO P2-beam

7° superspot beam:



	Ø	3200 K
8 m	0.96 m	97 lx
6 m	0.72 m	172 lx
4 m	0.48 m	387 lx
3 m	0.36 m	688 lx
2 m	0.24 m	1548 lx
1 m	0.12 m	6192 lx

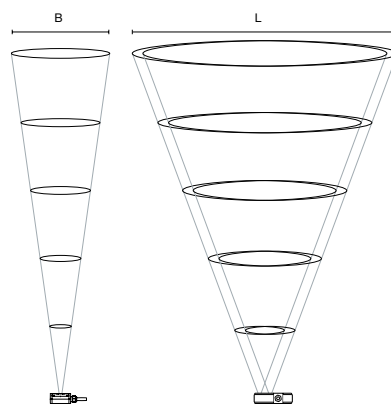
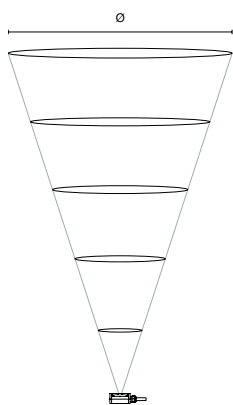
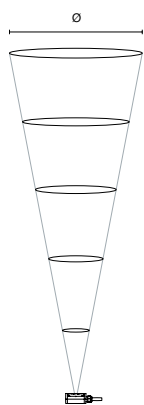




19° narrow beam:

31° wide beam:

43° x 17° elliptic beam:



	Ø	3200 K
8 m	2.72 m	36 lx
6 m	2.04 m	64 lx
4 m	1.36 m	143 lx
3 m	1.02 m	255 lx
2 m	0.68 m	573 lx
1 m	0.34 m	2292 lx

	Ø	3200 K
8 m	4.38 m	13 lx
6 m	3.28 m	23 lx
4 m	2.19 m	51 lx
3 m	1.64 m	90 lx
2 m	1.09 m	203 lx
1 m	0.55 m	811 lx

	B	3200 K	L	3200 K
8 m	2.37 m	23 lx	6.33 m	11 lx
6 m	1.78 m	41 lx	4.75 m	19 lx
4 m	1.18 m	93 lx	3.16 m	44 lx
3 m	0.89 m	165 lx	2.37 m	78 lx
2 m	0.59 m	370 lx	1.58 m	174 lx
1 m	0.30 m	1481 lx	0.79 m	698 lx



## LEDOS III

This small all-round luminaire combines huge versatility with great efficiency when recessed into the wall, ceiling or floor.

[zumtobel.com/ledos\\_III](http://zumtobel.com/ledos_III)





# LEDOS III

## Recessed LED luminaire

LEDOS III S D 30mm  
LED 1 x 0.6W | Scale 1:1



### Miniaturisation meets variety and efficiency

LEDOS has already become a classic in the market for LED luminaires which is still relatively young, and the third-generation luminaires are even smaller and more efficient. The product range includes highly versatile recessed luminaires for walls, floors and ceilings. LEDOS guides people towards a building, discreetly lights entrance areas and archways, accentuates façade elements and draws attention to danger areas such as steps and projections.

**LEDOS III S** With a diameter of just 30 mm, LEDOS III S provides decorative architectural accent lighting and improves orientation and guidance. Round and square models, each with a choice of flat or domed lenses, are available. When used as orientation luminaires, the domed lenses have the great advantage of being visible from afar also when viewed at shallow angles. The fully matt, opal surfaces of these luminaires ensure glare-free, uniform illumination and have an excellent long-distance effect. All LEDOS III S luminaires are available in dimmable versions that use Pulse Width Modulation (24V), and with power supply units that are available as an accessory, using bus signals for DALI, 1–10V and sequencers.

**LEDOS III M** Fitted with powerful power LEDs, the small 45 mm LEDOS III M is highly flexible when used as a wall-mounted, floor-recessed or ceiling-recessed luminaire for façade lighting. Both shapes, round or square, use appropriate beam patterns to perform different lighting tasks: narrow-beam lenses create lighting accents with cones of light that are up to 3 m long. Wide-angle optics direct attention to surfaces and objects. Asymmetric lens technology is used to illuminate stairs, entrance areas and passageways safely.

### LEDOS III S

**Power consumption**  
0.6 W

**Beam angle**  
Diffuse  
Flat or domed diffuser

**Colour temperature**  
3200 K | 6000 K

**LED service life**  
50000 hrs. at up to 70% luminous flux

**Protection type/protection class**  
IP67, protection class III

**Accessories**  
Concrete casting surround, installation kit for cavity mounting





LEDOS III M D 45 mm  
LED 1 x 1.25 W | Scale 1:1



LEDOS III S Q 29 mm  
LED 1 x 0.6 W | Scale 1:1



LEDOS III M Q 43 mm  
LED 1 x 1.25 W | Scale 1:1



### LEDOS III M

**Power consumption**  
1.25 W

**Luminous flux of luminaire**  
24–62 lm

**Beam angle**  
Spot, flood  
Diffuse or asymmetric light distribution

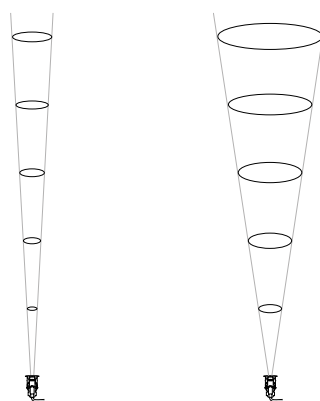
**Colour temperature**  
3200 K | 6000 K

**LED service life**  
50000 hrs. at up to 70 % luminous flux

**Protection type/protection class**  
IP67, protection class III

**Accessories**  
Concrete casting surround, installation kit for cavity mounting

### LEDOS III M lighting cone



9° (6000 K)		
4.0 m	Ø 0.64 m	48 lx
3.5 m	Ø 0.56 m	63 lx
3.0 m	Ø 0.48 m	86 lx
2.5 m	Ø 0.40 m	123 lx
2.0 m	Ø 0.32 m	193 lx
1.5 m	Ø 0.24 m	342 lx
1.0 m	Ø 0.16 m	770 lx
0.5 m	Ø 0.08 m	3081 lx

31° (6000 K)		
4.0 m	Ø 2.21 m	7 lx
3.5 m	Ø 1.93 m	9 lx
3.0 m	Ø 1.65 m	12 lx
2.5 m	Ø 1.38 m	17 lx
2.0 m	Ø 1.10 m	27 lx
1.5 m	Ø 0.83 m	48 lx
1.0 m	Ø 0.55 m	107 lx
0.5 m	Ø 0.28 m	429 lx



Special steel springs: this accessory is used to fix LED luminaires quickly and securely, for example in wooden floors (5 to 20 mm thick).



The luminaire housing has a permanently moulded-on 2 mm thick special-steel trim, thus making the ingress of any moisture through the top of the housing impossible.



# LEDOS III

Individual solutions for every façade

LEDOS III has an asymmetric beam pattern in order to illuminate stairs vertically



## Extremely wide variety of lighting tasks

**Stair lighting** LEDOS III's asymmetric fresnel lens accurately directs light onto steps and circulation areas. It takes care of orientation and safety. An unmistakable marking on the luminaire indicates the correct mounting direction, thus ensuring that the luminaire can be installed quickly without any risk of a mix-up.

**LEDOS III installation** LEDOS III's IP67 protection makes it ideal for use in façades or adjacent areas. This recessed luminaire has a shallow mounting depth and displays its strength regardless how it is installed: in cavity walls and ceilings, on raised floors with counter-battens or using a casting surround in any base.

LEDOS III M uses all the benefits of power LEDs but has been designed as a 24 V DC version. This allows simple parallel wiring, and a malfunctioning luminaire can be identified without the entire circuit failing. Built-in bridge rectifiers ensure polarity insensitivity, so that inadvertently reversing positive and negative polarity will have no effect on operating capability.

**The uniqueness of LEDOS III S and LEDOS III M** lies in their size and the use of an electrical cramping connector (patent pending).

**LEDOS III M and LEDOS III L** luminaires with cable assemblies are electrically connected via cable connectors: to do this, the cable ends are inserted and sealed in the terminals in the same way as with a cable gland. In the well-sealed recessed housing, there is sufficient space for the cable connector and feed line. Size S LEDOS III luminaires are fitted with a 3 m feed line which is connected directly to a junction box.



Installation in outdoor areas: a 20 cm thick soakaway underneath the flush-mounted housing drains off ground water. Connection to the supply voltage is obtained outside the casting surround in suitable junction boxes.



**LEDOS III S****Domed, opal lens**

For orientation, corridor lighting and route guidance with enhanced long-distance effect.

**LEDOS III M****Asymmetric beam pattern**

Wide-angle recessed wall luminaire used to vertically illuminate the floor in case of paths and stairs.

**LEDOS III L****Flood 30° beam angle**

Wide-angle grazing light picks out the materiality of façades and walls and can produce brilliant lighting effects.



LEDOS III recessed LED luminaires are distinguished by an extensive choice of models that can handle a wide variety of lighting tasks:

**LEDOS III S** with wide-angle optics are used for safe orientation lighting in access areas, passageways and entrances.

**LEDOS III M** recessed into the ceiling, wall or floor luminaire with a wide-angle or narrow-beam pattern concentrates on highlighting vertical surfaces and setting columns and features of façades centre stage.

**LEDOS III L** with narrow-beam and wide-angle optics for accent lighting makes orientation easier, and 230V mains connection will extend the application areas of the LEDOS product range in future.



## PASO II

This recessed floor LED luminaire hits all the right buttons when it comes to setting dramatic contemporary lighting scenes while remaining unobtrusive itself.

[zumtobel.com/paso\\_II](http://zumtobel.com/paso_II)





## PASO II

### Recessed floor LED luminaire

Façade lighting for an office building using PASO II recessed floor luminaires



PASO II D120 LED  
3 x 1.2 W | Warm white



#### Functional versatility

Because PASO II is extremely compact and as flush fitting as possible, it fits into any scenario. This recessed floor LED luminaire is a great solution, even for stylistically sensitive façades: from historic buildings through to contemporary metal structures.

Combined with, or as an alternative to, the PYLAS spotlight range, PASO II can set any façade centre stage individually without its physical presence impinging on the viewer's field of view. Its ability to be installed absolutely flush fitting and its reduced surface temperature of no more than 40 °C make the latest generation of LED luminaires highly attractive for illuminating façades from close-up or by integrating them into pedestrian paths and zones that are close to buildings.

#### PASO II LED

Square and round luminaires available in three sizes and two overall heights make the PASO II luminaire range absolutely perfect for any façade lighting project. That's not all: the versatility of this system means that designers have almost unlimited choice when it comes to creative design, lighting effects and the option of façade-related locations.

PASO II recessed floor luminaires all share certain common distinguishing quality characteristics: shallow mounting depths, excellent thermal management and a patented, reliable sealing system. Easy installation and wiring are other features which apply throughout the entire product range.

#### PASO II LED

##### Power consumption

D/Q 120 mm: 3 x 1.2 W power LED  
3 x 1.2 W power LED RGB  
1 x 1.2 W soft LED  
1 x 4.3 W soft LED RGB  
D/Q 190 mm: 4 x 2.5 W power LED  
4 x 2 W power LED RGB  
4 x 1.2 W soft LED  
4 x 2 W soft LED RGB  
D/Q 260 mm: 7 x 2.5 W power LED  
7 x 2 W power LED RGB

##### Luminous flux of luminaire

120 mm: 192–260 lm  
190 mm: 491–589 lm  
260 mm: 874–1 129 lm

##### Beam angle

Diffuse, spot, flood, asymmetric

##### Colour temperature

3 200 K | 6 000 K | RGB changing colours

##### LED service life

50 000 hrs. at up to 70 % luminous flux

##### Protection type/protection class

IP67, protection class I  
IP67, protection class III (size 120 D/Q RGB)

##### Accessories

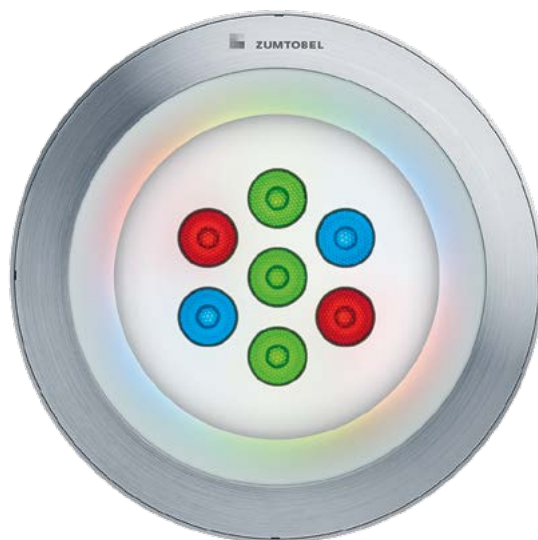
Concrete castings surround, installation kits



PASO II Q190 LED  
4x2.5W | Cool white



PASO II D260 LED RGB  
7x2W | Flood



#### PASO II lighting cone



120 mm model



190 mm model



260 mm model

##### 10° (6000 K)

10 m	Ø 1.71 m	31 lx
8 m	Ø 1.37 m	49 lx
6 m	Ø 1.02 m	87 lx
4 m	Ø 0.68 m	196 lx
2 m	Ø 0.34 m	782 lx

##### 7° (6000 K)

10 m	Ø 1.15 m	158 lx
8 m	Ø 0.92 m	247 lx
6 m	Ø 0.69 m	439 lx
4 m	Ø 0.46 m	987 lx
2 m	Ø 0.23 m	3948 lx

##### 6° (6000 K)

20 m	Ø 2.27 m	79 lx
16 m	Ø 1.81 m	124 lx
12 m	Ø 1.36 m	220 lx
8 m	Ø 0.91 m	494 lx
4 m	Ø 0.45 m	1977 lx



## PASO II

Variety of models

PASO II D120 LED | 3 x 1.2 W  
Frameless | Cool white



### Scope for individual design preferences

PASO II luminaires are available in three different frame designs. This diversity makes this luminaire product line both a design feature and a problem solver. It also opens up attractive ways of adapting the luminaire to suit the architecture and its materiality or colour scheme in any application situation.

PASO II  
Overlapping



**Concealing problem areas** Many floor surfaces can only be adapted to match the housing shape to a limited extent or with a lot of effort. In such cases, an overlapping cover frame hides problem areas around the casting surround – the frame has a low profile and there are no exposed screw heads.

PASO II  
Flush fitting



**Building without barriers** Just a few millimetres are often enough to cause accidents or hinder free movement of wheelchair users. PASO II is available as a completely flush fitting model in all sizes, thus paving the way for recessed floor luminaires to illuminate circulation areas that are fit for the needs of the disabled.

PASO II  
Frameless



**Doing away with a metal frame** The smallest size frameless version emphasises the harmonious overall architectural picture. This means that PASO II even goes well with the brass and gold leaf of historic façades. Four Torx screws secure the luminaire glass firmly so that it is burglar-proof.





PASO II D190 LED downlight  
4x2.5W | Flush fitting  
Warm white



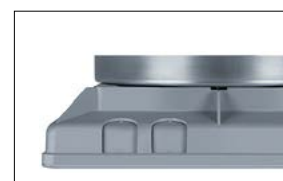
**PASO II as a downlight** This recessed LED luminaire is also available as an IP65 downlight, with appropriate mounting accessories, in all sizes and shapes. In situations where, due to harsh environmental conditions, a high IP rating and extremely good resistance to corrosion are required, PASO II can therefore be used either as an uplight or downlight.

**Just 100 mm high** The extra low-profile PASO II, which is available in sizes 190 and 260, is only 100 mm high, including its casting surround. This does away with one of the most common obstacles to installing a luminaire in the location that is best from a technical lighting viewpoint. PASO II Low is fitted with all the requisite control gear, it is flush mounted or installed with an overlapping cover frame.

Besides efficient LED technology, PASO II luminaires are also available with the very latest compact fluorescent lamps, low-voltage halogen lamps or metal halide lamps in all three sizes (120 mm, 190 mm and 260 mm). The PASO II product line is rounded off by a large number of accessories for various mounting situations and application areas as well as anti-glare devices to prevent scattered light.



PASO II Q260 asymmetric  
Recessed depth: 100 mm



PASO II concrete casting  
surround D260  
Height: 100 mm

## **ORILED**

Floor-level orientation luminaire  
providing increased safety,  
incorporating energy-saving  
LED lighting technology

[zumtobel.com/oriled](http://zumtobel.com/oriled)





# ORILED

## Orientation lighting close to ground level with LED

### Wiesmann Auto+Sport, Dülmen | DE

Lighting solution partner: Elektro Hörbelt, Coesfeld-Lette  
in collaboration with Elektro David, Dülmen | DE  
Lighting solution: ORILED, 2LIGHT, TUBILUX



### Maximum safety at minimum energy consumption

People need to be able to find their way intuitively at any time of day. This is especially true when it comes to finding one's way around public buildings. Light makes an important contribution to this and also improves safety. ORILED is the perfect alternative to conventional fluorescent lamps. A unique lens/reflector combination directs LED light onto the ground over a wide area. The luminaire's extremely uniform light distribution is ideal for specifically illuminating stairs, corridors, passageways and circulation areas. Here, LED technology is an efficient alternative to light sources with relatively higher wattages and luminous flux levels.

Its optionally flush-mounted or overlapping special steel frame is securely fixed by invisible Camlock fasteners. These recessed luminaires and bollard luminaires are available with IP 65 protection and are perfect for both indoor and outdoor use. Alternatively, ORILED is also available with separate battery packs for 1 or 3 hours of operation for use in emergency lighting systems.

### ORILED

**Power consumption**  
2 x 1 W Power-LED

**Luminous flux of luminaire**  
Warm white: 74 lm  
Cool white: 112 lm

**Beam angle**  
Flood

**Colour temperature**  
3 000K | 6 000K

**LED service life**  
50 000 hrs. at up to 70 % luminous flux

**Protection type/protection class**  
IP 65, protection class I

**Accessories**  
Concrete casting surround, bollard

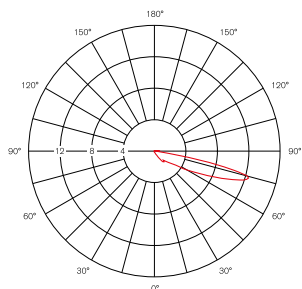


ORILED | 2x1W  
Flush-fitted | Cool white



#### ORILED light distribution

Asymmetric light distribution



## **HEDERA B LED**

Calming white hues or striking colours: this linear LED wallwasher illuminates large surface areas uniformly.

[zumtobel.com/hedera](https://zumtobel.com/hedera)





# HERERA B

## LED wallwasher

### Gaislachkogelbahn, Sölden | AT

Architecture: obermoser arch-omo zt gmbh, Innsbruck | AT

Lighting solution: HEDERA media luminaire with DMX controller for façades



### Impressive intensity with optional dynamic changes

With three different lengths and four secondary optics, HEDERA caters for the individual needs of uniform façade lighting. HEDERA RGB transforms a façade into a coloured works of art, whereas white high-power LEDs show off the façade's surface to full effect.

HEDERA is a particularly rugged, UV-stable 230V luminaire that is made from aluminium and glass and requires no external control gear. As the system consists of luminaires with male and female connectors, installation is extremely easy. Built-in thermal protection automatically dims the luminaire in the event of excessively high temperatures in order to ensure that the LEDs' long service life is achieved.

**Wiring options** HEDERA is available as a through-wired luminaire (IN/OUT) and as a luminaire with a built-in DMX terminating resistor for individual luminaires or luminaires at the end of a row (IN).

### HERERA

#### Light source

48 LEDs over a length of 1200mm Pixel spacing: 25 mm

#### Power consumption

maximum at 100% (RGB, length: 1200mm)

#### Beam angle

6° and 20° symmetric  
10 x 20° asymmetric

#### Colour temperature

3 000 K, 4 000 K, 6 000 K: monochrome white  
RGB: multicoloured

#### Colour rendering

Ra > 80 monochrome white  
(3 000 K and 4 000 K)  
Ra > 70 monochrome white (6 000 K)

#### LED service life

50 000 hrs. at up to 70% luminous flux

#### Protection type/protection class

IP66

#### Temperature range

-20°C to +40°C (in operation)  
-20°C to +60°C (switched off)

#### Accessories

Fixing set, female and male connector for IP66 connection





HEDERA LED RGB | 27 W | Length 600mm (24 LEDs)



HEDERA LED monochrome white | 40 W | Length 900mm (36 LEDs)



HEDERA LED RGB | 49 W | Length 1200mm (48 LEDs)



#### 600 mm:

27 W, RGB, 888 lm  
29 W, 6 000 K, 1910 lm  
30 W, 3 000 K, 1470 lm  
30 W, 4 000 K, 1680 lm

#### 900 mm:

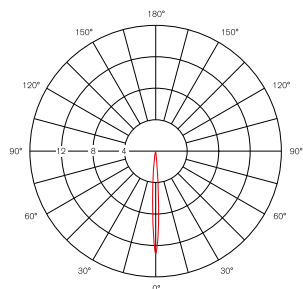
39 W, 6 000 K, 2870 lm  
40 W, 3 000 K, 2210 lm  
40 W, 4 000 K, 2520 lm

#### 1 200 mm:

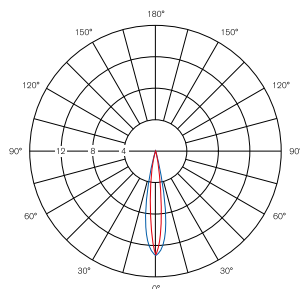
49 W, RGB, 1775 lm  
47 W, 6 000 K, 3830 lm  
49 W, 3 000 K, 2940 lm  
49 W, 4 000 K, 3360 lm

#### HEDERA light distribution

Symmetrical light distribution 6°



Elliptical light distribution 10x20°



Elliptical light distribution (10x20°) guarantees the best possible colour mixing in case of RGB luminaires. Symmetrical light distributions with a beam angle of 6° or 29° meet the various requirements for direct through to indirect illumination.



Available as accessories:  
mounting clip or support for  
swivelling installation



## HILIO

Versatility in design: HILIO monochrome provides subtle but striking structuring. HILIO RGB, on the other hand, relies on the effect of colour-changing lines.

[zumtobel.com/hilio](https://zumtobel.com/hilio)





# HILIO

## LED light line

### Bauarena, Volketswil | CH

Architects: Nüesch & Partner Architekten, Volketswil | CH

Lighting solution: HILIO LED RGB light lines



### Monochrome or multicoloured, calm or lively

Versatility in design is the slender HILIO's hallmark: the monochrome light line accurately follows the outlines of a façade, structures the architecture, or sets it centre stage by monochrome cove lighting in red, green, blue or white. The luminaires' multicoloured version exploits the power of colour and movement. The RGB version allows you to draw on a wealth of colours. DMX control of each individual luminaire brings life to façades. DMX control of each luminaire or each segment brings life to façades.

This flexibility is accompanied by extremely easy installation: HILIO is easy to connect thanks to a connecting cable and a connector system that comes with a higher protection rating as standard. Uniform pixel spacing and butt joining ensure a continuous, unbroken light line. The very tight LED binning (less than 3 MacAdams per luminaire) of the white, monochrome luminaires ensures a uniform look. Built-in thermal protection ensures safety by preventing excessively high temperatures.

### HILIO LED

#### Light source

10 LEDs over a length of 300 mm, pixel spacing 30 mm

#### Power consumption

approx. 10 W per metre

#### Luminous flux of luminaire

275 lm (RGB, opal, length: 2 100 mm) to  
777 lm (850, clear, length: 2 100 mm)

#### Colour temperature

3 000K, 4 000K, 5 600K: monochrome white  
Red, green, blue: monochrome  
RGB

#### Colour rendering

Ra > 80: monochrome white

#### LED service life

60 000 hrs. at up to 70 % luminous flux: monochrome  
40 000 hrs. at up to 70 % luminous flux: RGB

#### Protection type/protection class

IP65

#### Temperature range

-20°C to +40°C (in operation)  
-20°C to +70°C (switched off)

A built-in overheating protection will automatically dim down the luminaire if the ambient temperature gets too high.

#### Accessories

Connector set, DMX splitter, ASTO set



HILIO-CL | 14 W | Clear optic



HILIO-O | 14 W | Opal optic



**Optics** HILIO uses different optics to cater for various design requirements: the clear LED light line is used for cove lighting or indirect lighting. The opal HILIO creates visible lines.

**Length, control and wiring options** Based on a segment unit of 300 mm, HILIO is available in seven different lengths ranging from 300 mm to 2 100 mm. This LED line is therefore a very good match for the individual dimensions of a façade. Radial wiring which, unlike axial wiring, requires very little space, meets the requirement for a continuous, unbroken line and uniform pixel spacing. HILIO is available both as a through-wired luminaire (IO) and as a luminaire with a built-in terminating resistor for individual luminaires or luminaires at the end of a row (IN). The single-coloured HILIO monochrome is available in dimmable and switchable version, HILIO RGB as a DMX luminaire controlled throughout.



**Connector set (IP65) for outdoor areas** The connector set combines the 24 V signal and data signal in a single output for up to 12.6 m of HILIO (with a 4 m feed line). With the monochrome LED light line, it is possible to apply dimming signals via a separate PWM control line. RGB luminaires that are controlled by DMX or video signals are connected by a connector set that is available as an accessory.



**HILIO ASTO set** The HILIO ASTO set with the ASTO USB tool is required in order to address HILIO RGB DMX and HILIO RGB VC luminaires. This makes it possible to address the DMX or video address of each HILIO individually.



## CAPIX

One pixel for boundless possibilities:  
this LED media luminaire hugs a  
façade like a second skin and inter-  
acts with passers-by.

[zumtobel.com/capix](http://zumtobel.com/capix)





# CAPIX evolution

## LED media luminaire

### Casinos Austria AG, Bregenz | AT

Lighting solution: CAPIX evolution media luminaire for façades

If required, the sequence of façade illumination can also be changed on short notice.



### Getting messages across

CAPIX evolution transforms any static façade into a moving and emotive media façade. In addition to generating colours and other effects, the intelligent video control system also makes it possible to run sequences of moving pictures or play videos.

A CAPIX chain consists of a large number of lighting points as well as a combination of data and supply cables. One of the special things about CAPIX is that the distance of the individual lighting points, and hence the resolution of the luminous media surface, can be customised to fit the viewing distance. Each CAPIX pixel incorporates three RGB LEDs, resulting in a bright and brilliant lighting effect, even if viewed from large distances.

The pixels are either mounted directly on the façade or on commercially available meshes and nets – two different brackets are available for these different supports. Defective pixels can nevertheless be individually replaced without any problems. Intelligent thermal management provides protection against overheating and allows the use of CAPIX evolution even at high ambient temperatures due to the luminaire's automatic dimming function.

#### CAPIX evolution

##### Light source

3 RGB LEDs per pixel

##### Power consumption

1 W per pixel

##### Luminous flux of luminaire

20lm per pixel

##### Colour temperature

RGB

##### LED service life

50000 hrs. at up to 70% luminous flux

##### Pixel/Pitch spacing

100 mm, 200 mm, 300 mm

##### Protection type/protection class

IP68

##### Temperature range

-30°C to +50°C (in operation)

-30°C to +80°C (switched off)

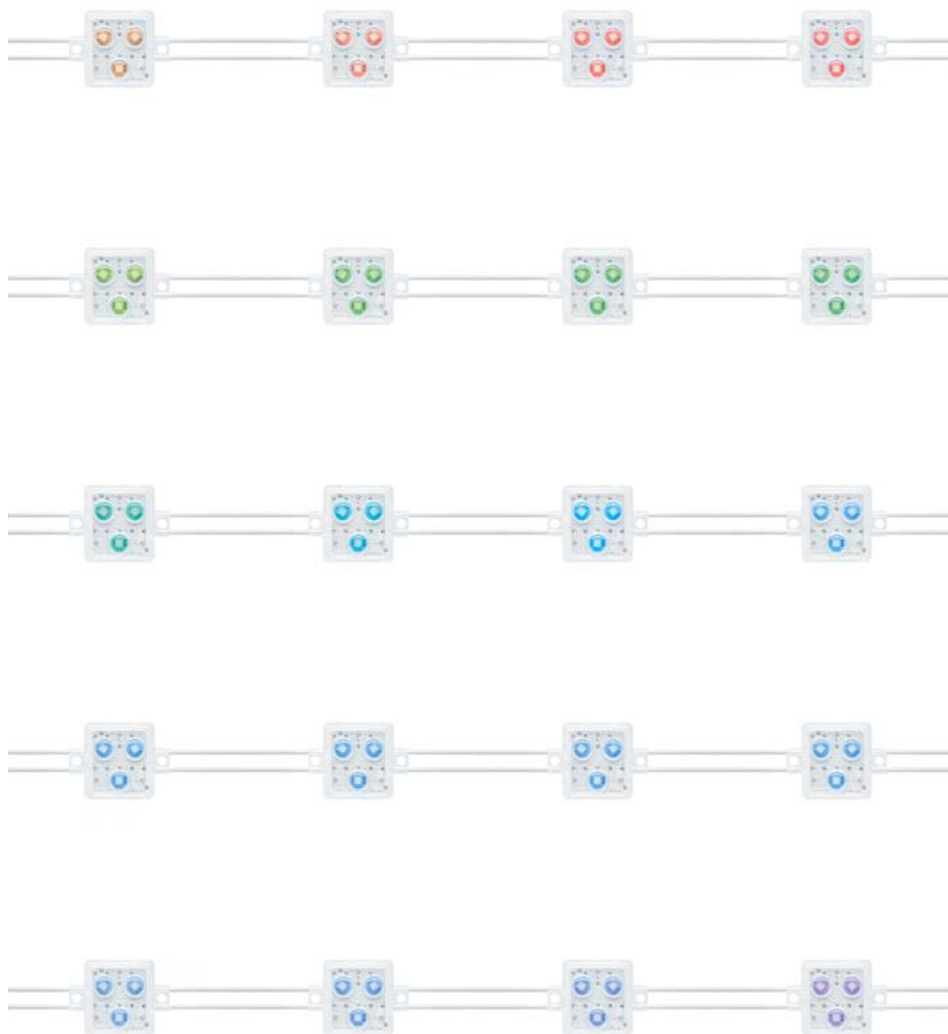
A built-in overheating protection will automatically dim down the luminaire if the ambient temperature gets too high.

##### Accessories

DMX/RDM







**Customer-specific manufacturing and service** Zumtobel assists designers and contractors at every stage of a project, helping them to get to grips with the boundless possibilities of façade lighting and media façades in particular.

On a CAPIX media façade, pixel pitches are fully adjustable in order to cater perfectly for project-specific variables such as façade design, support structure or viewing distance. Zumtobel helps customers define pixel spacings and design the power supply and control systems. Zumtobel even supplies tailor-made control solutions – for running anything from simple graphics, pictures and videos through to interactive façades responding to their environment.



RGB LED pixels in a compact design, for perfect colour perception from any viewing angle.

## **LIGHTING MANAGEMENT**

From dimming and simple  
colour changes through to  
video control.





# Lighting Management

## Control options

Luminaire	Voltage	White LED switchable	White LED dimmable*	White LED DMX	LED RGB dimmable*	LED RGB DMX
PYLAS S	24 V	X	Special		X	X <sup>1</sup>
PYLAS M	24 V	X	Special		X	X <sup>1</sup>
PYLAS L	230 V	X	Special		Special	X
PYLAS XL	230 V	X	Special		Special	X
IKONO S	230 V / 24 V RBG	X	Special		X	X <sup>1</sup>
IKONO M	230 V	X	Special		Special	X
IKONO L	230 V	X	Special			
SKENA	230 V	X	Special			
APHRODITE	230 V	X	X			
PAN	350 mA	X	Special			X <sup>2</sup>
ELEVO P2/P4	24 V	X	X <sup>3</sup>	X	X	X
ELEVO line	230 V / 24 V RBG	X	X <sup>3</sup>	X	X	X
ELEVO slimline	24 V	X	X <sup>3</sup>	X	X	X
LEDOS III	24 V	X	X			
PASO II	230 V / 24 V RBG	X			X <sup>4</sup>	
HEDERA	230 V	X		X		
HILIO	24 V	X	X <sup>3</sup>			X
CAPIX evolution	230 V					X

- \* PWM dimmable
- <sup>1</sup> With accessory LED 100 W DMX ballast box art. no. 60 800 713
- <sup>2</sup> DMX addresses for retrieving previously set lighting scenes
- <sup>3</sup> PWM dimmable, DALI dimmable with accessory
- <sup>4</sup> DALI only



### LITENET

For Zumtobel, the responsible handling of resources spans all areas. As such, LUXMATE LITENET is an effective means to an end, achieving as much convenience and lighting quality as possible with a minimum of energy, materials and time invested. Demands coupled to energy consumption increase the economy of the CO<sub>2</sub> reducing measures even further. The legal basis for this was already laid down in the 2002/91/EC Energy Efficiency Directive. This presents planners, building developers and operators across Europe with major challenges; these, however, are optimally met by LUXMATE LITENET with its wide range of energy saving functions.



### DMX control using Butler XT2

Butler XT2 is at the heart of Zumtobel's DMX controller. The controller has two independent DMX outputs, each with 512 channels, for individually controlling 1024 DMX channels or 340 RGB luminaires. This makes extensive, dynamic, time-controlled lighting programmes possible – even lettering that floats across a façade. Lighting Application Suite software allows qualified Zumtobel service engineers to fulfil almost any lighting design requirement. Programmed lighting scenes and sceneries are saved in the controller and retrieved via a premium glass touch panel or commercially available standard momentary-action switches.



The effectiveness of façade lighting is heavily dependent on the quality of the luminaires used and choosing the right lighting control system. A lighting management system is needed if more is required than simply switching luminaires on and off. Dimmed luminaires provide new ways of setting the lighting stage and also provide scope for using energy efficiently. Zumtobel lighting control systems cater for a variety of lighting tasks – from simple colour changes through to video control units.

		LITECOM	LUXMATE LITENET	E:cue Butler XT2
<b>LIGHTING SOLUTION</b>	Architectural	x	x	(x)
	Emotive	x	o	x
	Communicative	o	o	(x)
<b>SPEED</b>	Static/switching or dimming	x	x	o
	Slow/gentle transitions	x	x	x
	Fast changes in colour or brightness	o	o	x
	Video speed	o	o	o
<b>EFFECT</b>	Illumination	x	x	x
	Colour	x	x	x
	Graphic	o	o	(x)
	Text	o	o	x
	Video	o	o	(x)
<b>OTHER</b>	Sensors	x	x	o
	Time-based control	x	x	o
	Dimming of luminaires	x	x	x
	Driving other motors	o	x	x
	Shows	x	x	x
	Running videos	o	o	(x)
	Addresses/channels	250	10 000*	1024**
	Addressing	Via system	Via system	On luminaire

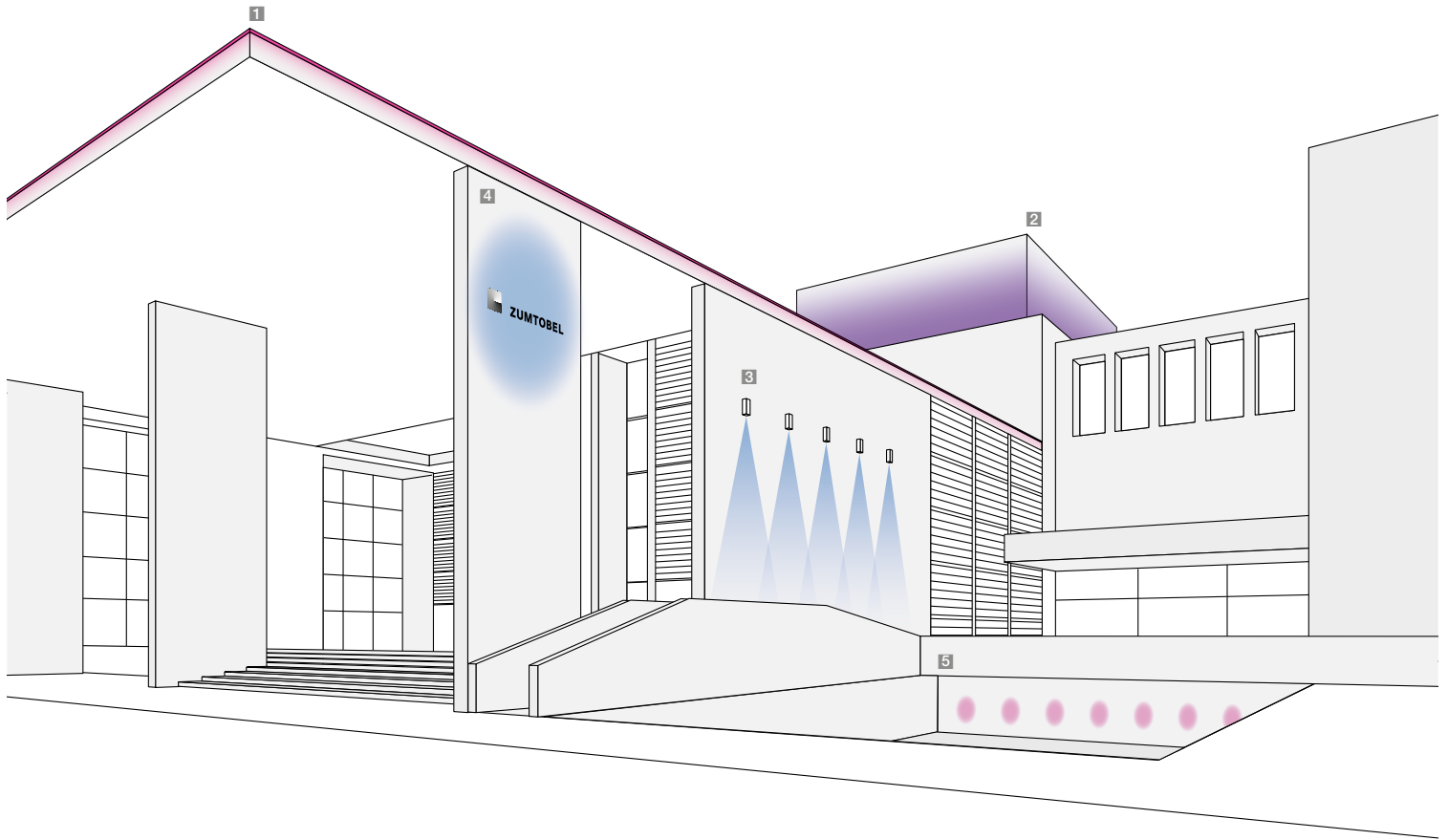
x = Applicable  
(x) = Applicable to a limited extent  
o = Not applicable

\* Depends on server  
\*\* Custom solution, up to 50 000 addresses via server structure

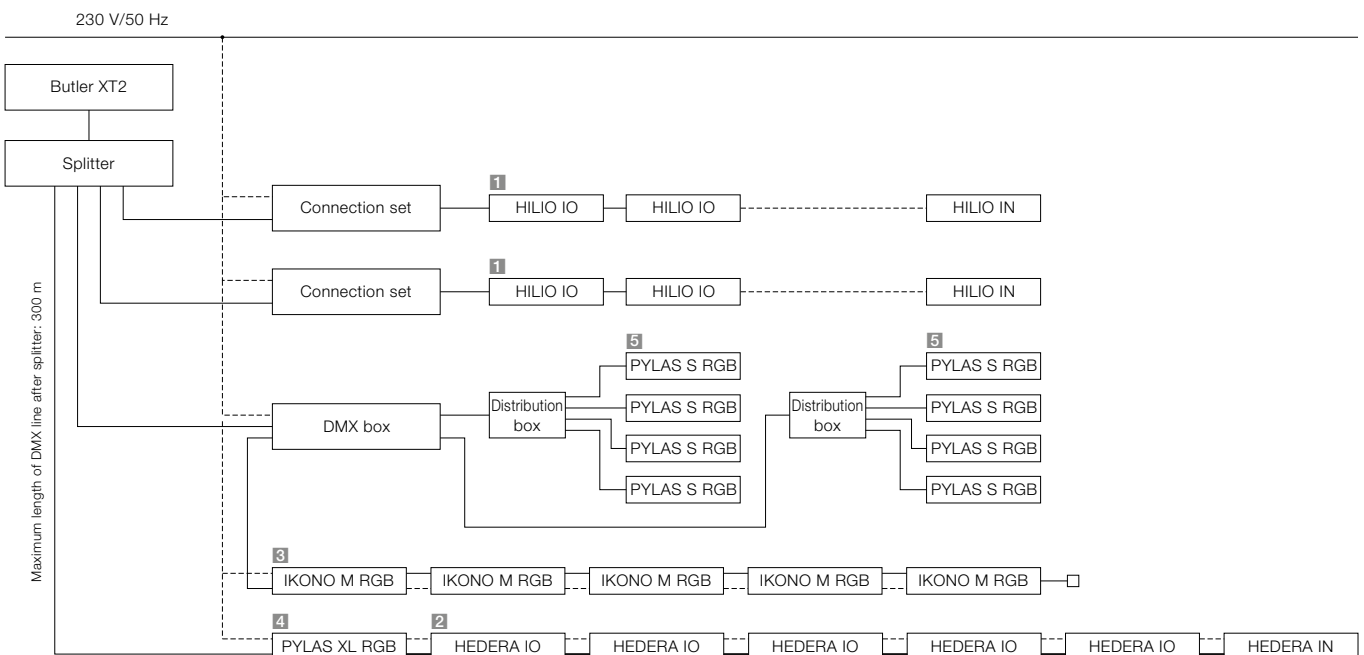


# Lighting Management

## Circuit diagrams

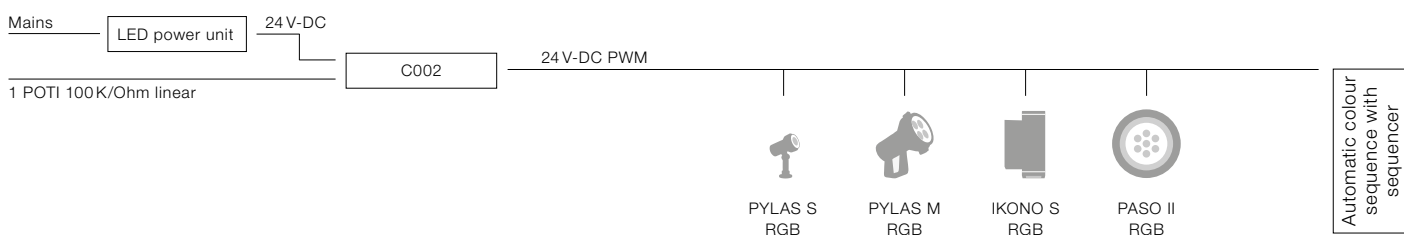


**Façade lighting solution:**  
**Example of a building showing circuit diagram**

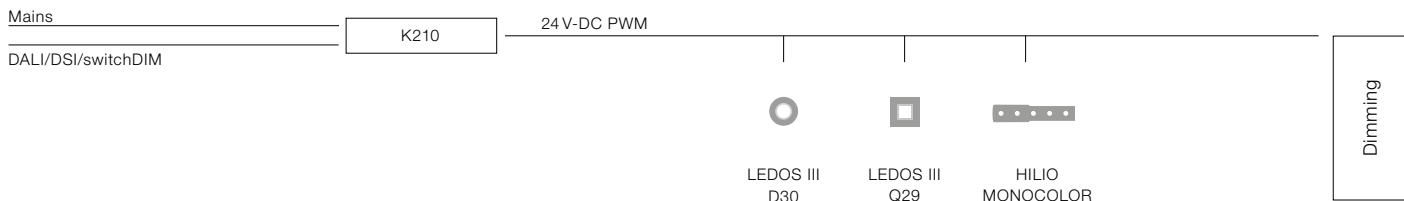


**Control of 24V DC and DC 350 mA luminaires using Pulse Width Modulation (PWM) with common bus signals:**

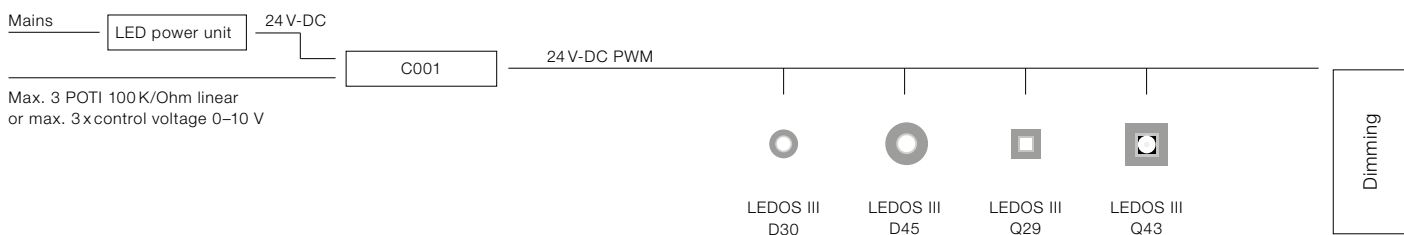
**1 | Sequencer/standalone C002**



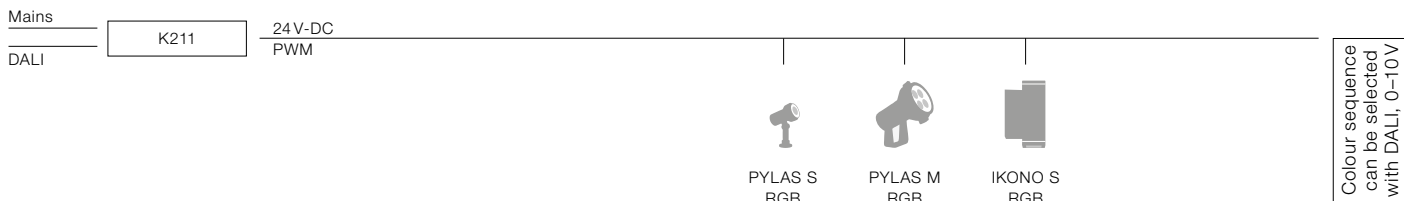
**2 | DALI K210 and switchDIM**



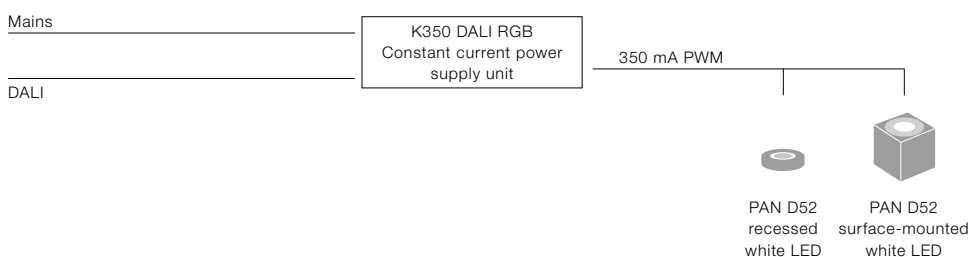
**3 | 1–10V control C001**



**4 | DALI K211 RGB control 25W**



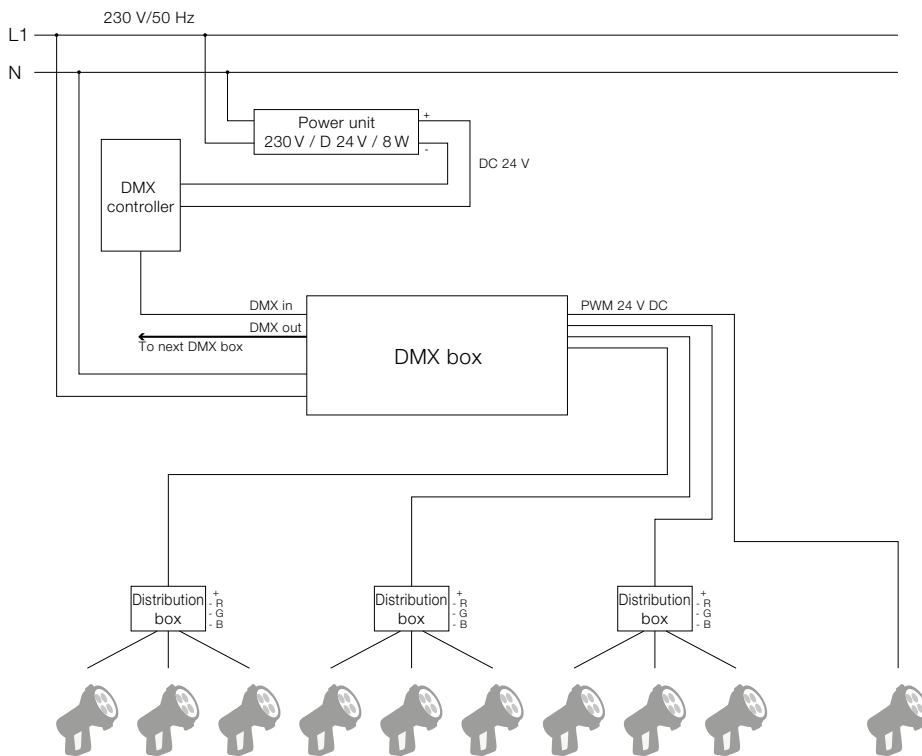
**5 | DALI K350 RGB control 350 mA**



# Lighting Management

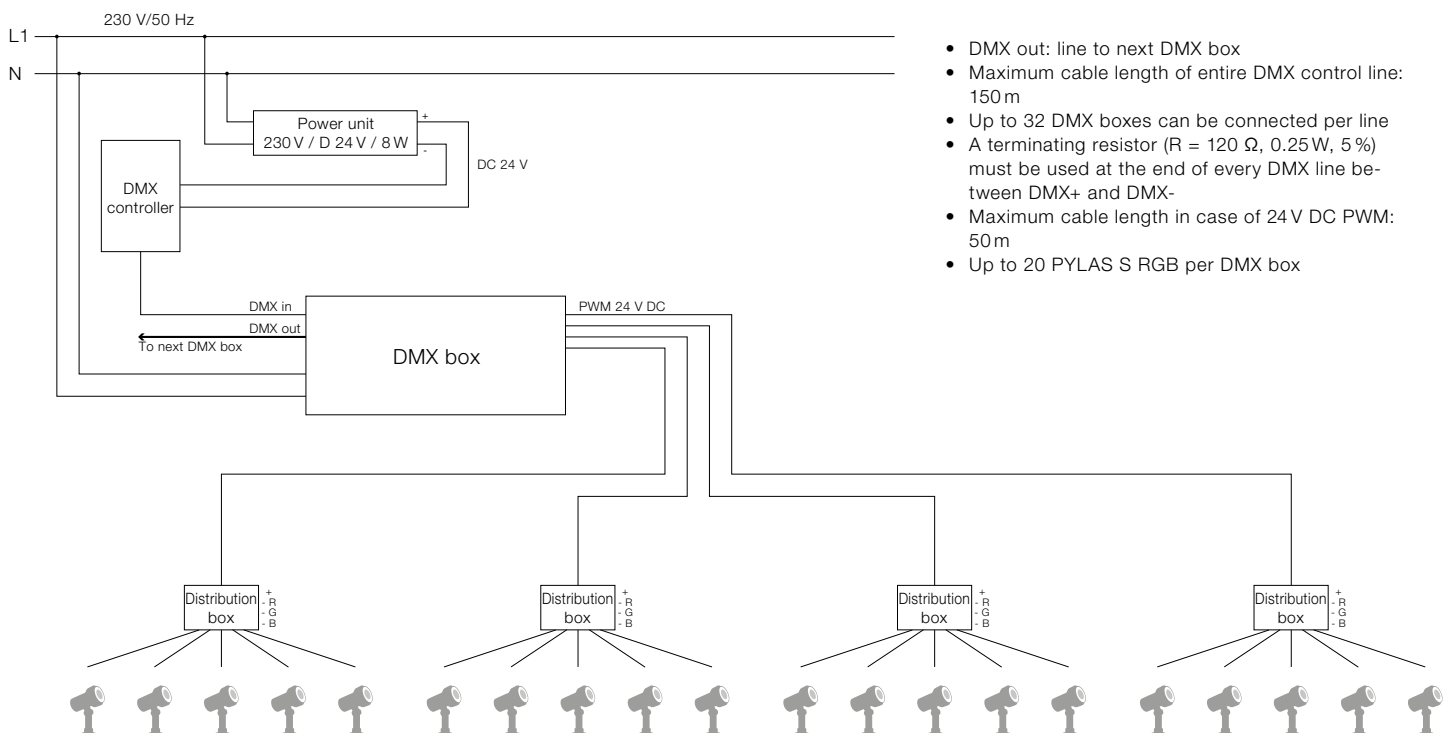
## Circuit diagrams

### Connecting PYLAS M RGB to DMX box



- DMX out: line to next DMX box
- Maximum cable length of entire DMX control line: 150 m
- Up to 32 DMX boxes can be connected per line
- A terminating resistor ( $R = 120 \Omega$ , 0.25 W, 5 %) must be used at the end of every DMX line between DMX+ and DMX-
- Maximum cable length in case of 24 V DC PWM: 50 m
- Up to 10 PYLAS M RGB per DMX box

### Connecting PYLAS S RGB to DMX box

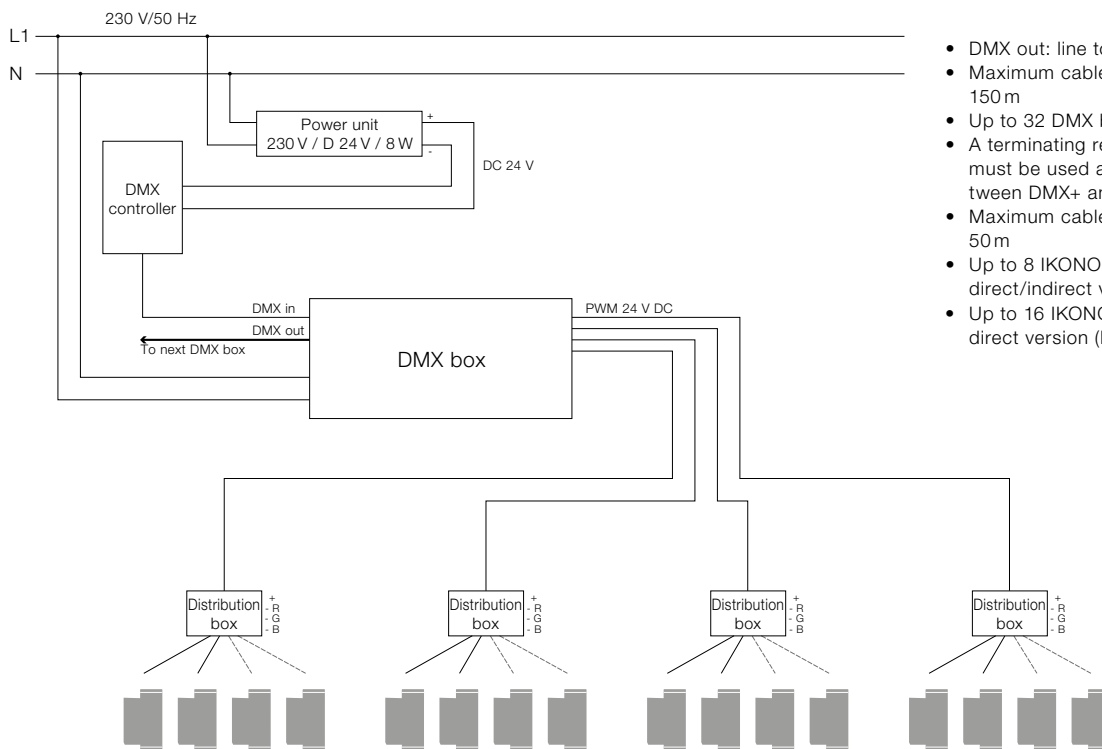


- DMX out: line to next DMX box
- Maximum cable length of entire DMX control line: 150 m
- Up to 32 DMX boxes can be connected per line
- A terminating resistor ( $R = 120 \Omega$ , 0.25 W, 5 %) must be used at the end of every DMX line between DMX+ and DMX-
- Maximum cable length in case of 24 V DC PWM: 50 m
- Up to 20 PYLAS S RGB per DMX box



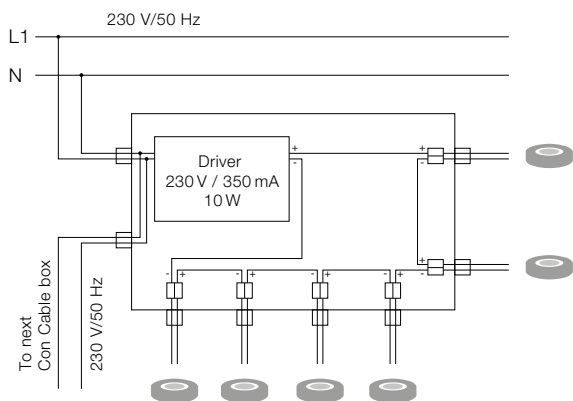


### Connecting IKONO S RGB to DMX box



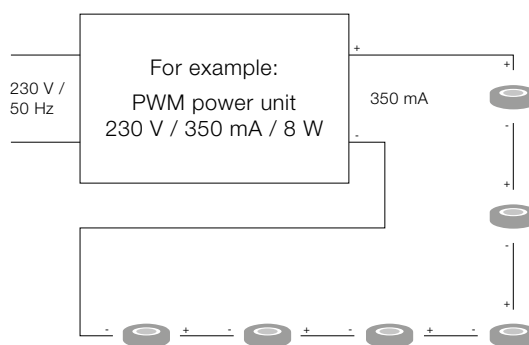
- DMX out: line to next DMX box (optional)
- Maximum cable length of entire DMX control line: 150 m
- Up to 32 DMX boxes can be connected per line
- A terminating resistor ( $R = 120 \Omega$ , 0.25 W, 5 %) must be used at the end of every DMX line between DMX+ and DMX-
- Maximum cable length in case of 24 V DC PWM: 50 m
- Up to 8 IKONO S RGB per DMX box in case of direct/indirect version (IKONO-I/D S RGB)
- Up to 16 IKONO S RGB per DMX box in case of direct version (IKONO-D S RGB)

### Electrical connection of PAN luminaires to IP55 supply box (60 800 706)



PAN + feed line: brown/PAN - feed line: blue/standard length 3 m/ special lengths up to 10 m are possible

### Project-specific solutions for dimmable installations using PAN



$6 \times 1.2W = 7.2W < 8W$  power unit (max. output)

IP55 supply box (60 800 706) makes it possible to connect up to 6 PAN luminaires. Individual luminaires are wired for series connection; cable glands make electrical contact easy. If not all 6 terminals are used, circuit is closed by factory-fitted jumpers. A second cable gland is provided for through-wiring.

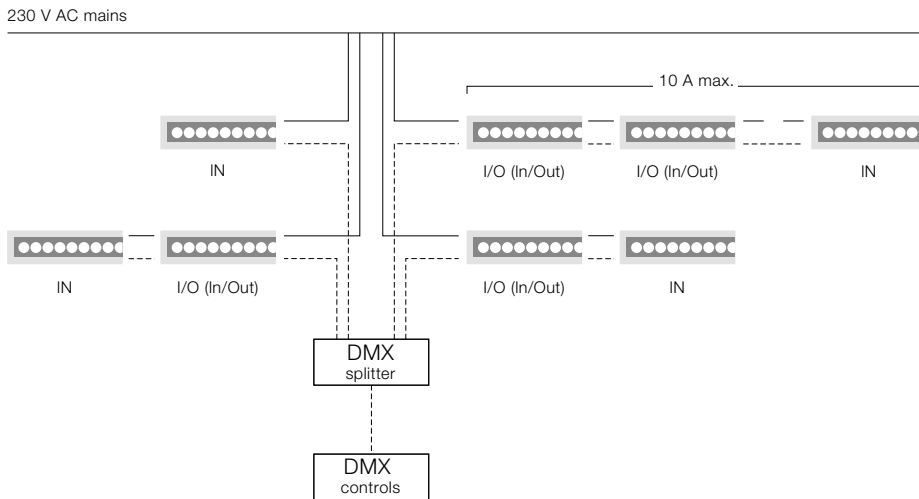
Dimmable or dynamic solutions are to be realised in a project-specific manner. Depending on the bus signal used (DALI, 1–10V, DMX or sequencer), PAN luminaires in the same group must be wired in series and connected to the appropriate 350 mA power unit of a box with IP protection or connected inside the building.



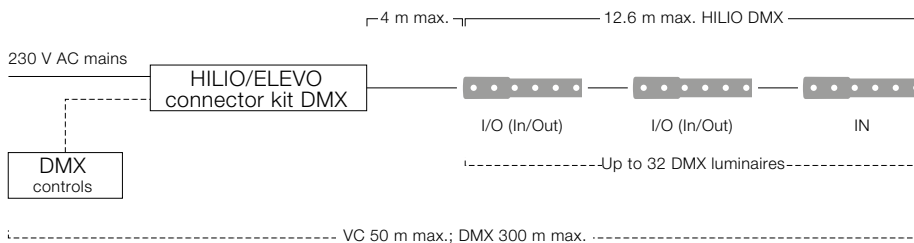
# Lighting Management

## Circuit diagrams

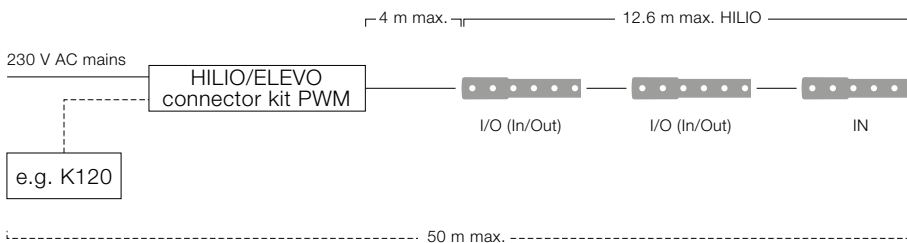
### Connecting HEDERA



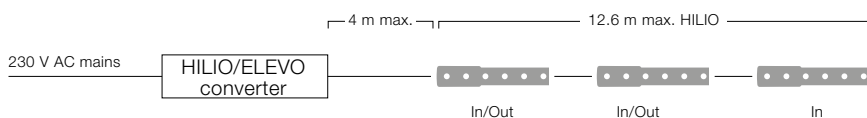
### Connecting HILIO RGB DMX



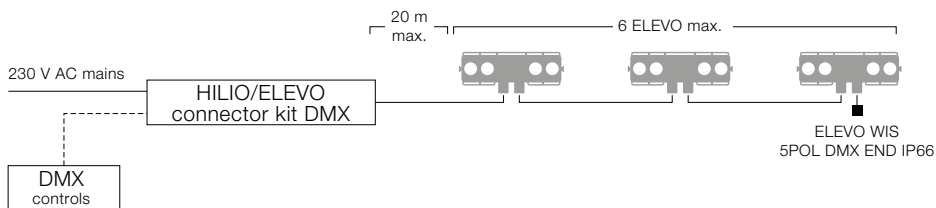
### Connecting HILIO monochrome PWM dimmable



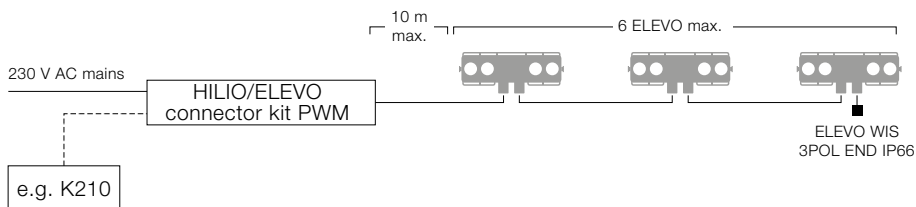
### Connecting HILIO monochrome switchable



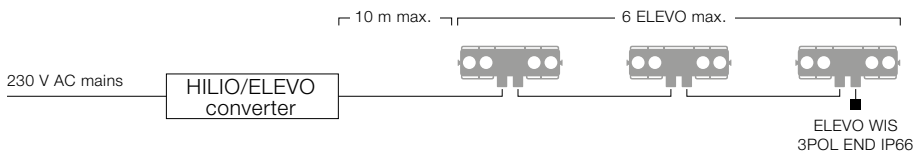
### Connecting ELEVO RGB DMX



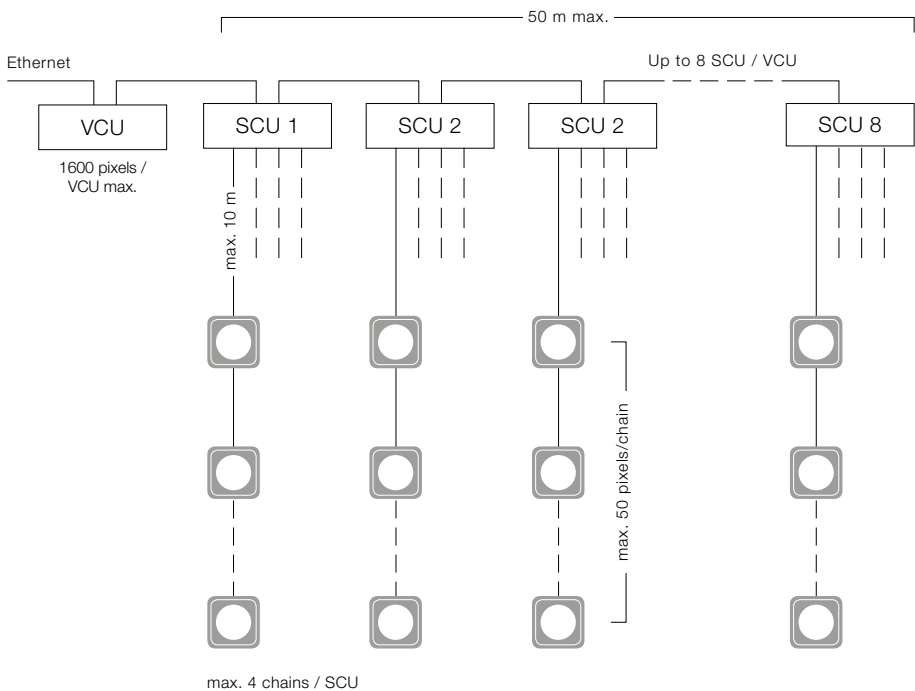
### Connecting ELEVO PWM dimmable



### Connecting ELEVO switchable



### Connecting CAPIX



For 230V installations:  
starting current per SCU = 62 A



## PYLAS S / M

[...] Shared properties PYLAS S / M

- Architectural spotlight luminaire for external illumination of objects and architectural details
- With superspot and flood beam pattern
- Housing made of die-cast aluminium (copper-free) with high corrosion protection
- Dual-layer epoxy and polyester powder-coating in silver-grey finish
- Luminaire cover made of toughened safety glass
- Glass cover fitted flush in luminaire surround to prevent dirt accumulation
- Silicone gasket
- Colour temperature: 3 200 K (LED832) or 6 000 K (LED860)
- Colour rendering index: Ra > 80
- IP66 degree of protection, equipment class I
- RGB: IP66 degree of protection, equipment class III
- Includes electronic power pack, switched
- Mains voltage: 230 V / 50/60 Hz
- RGB: 24 V DC PWM power supply provided by DMX ballast box (100 W) or LED power pack; please order separately
- Through-wiring not possible

## PYLAS S LED



- [...]
- Stainless steel screws (AISI 316L)
- Luminaire can pivot from -40° to +90°
- PG cable gland
- LED RGB module (red/green/blue)
- Luminaire includes power lead with cable connector: 0.5 m (H05RN-F 3 x 1 mm<sup>2</sup>), RGB: 0.5 m (H05RN-F 4 x 1 mm<sup>2</sup>)
- Luminaire fixed by screw in luminaire base (not included)
- Earth spike or installation buckle available as optional accessory

### LED spotlight luminaire

	kg	Order no.
1/1,2 W LED832, flood (23°)	0,6	60 813 386
1/1,2 W LED832, superspot (7°)	0,6	60 813 384
1/1,2 W LED860, flood (23°)	0,6	60 813 387
1/1,2 W LED860, superspot (7°)	0,6	60 813 385

### LED spotlight luminaire (RGB 24 V)

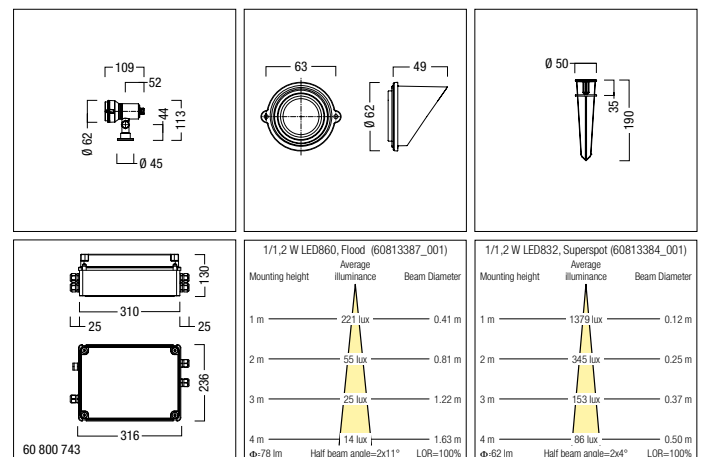
3/1,2 W LED RGB (red, green, blue), flood (31°), 24 V ⚡	0,6	60 813 388
---	-----	------------

### Accessory

DMX 5-pin XLR5 plug with 120 Ohm resistor, IP65/67		60 800 740
DMX 5-pin XLR5 plug, IP65/67		60 800 738
DMX 5-pin XLR5 socket with 120 Ohm resistor, IP65/67		60 800 741
DMX 5-pin XLR5 socket, IP65/67		60 800 739
DMX ballast box 100 W, 24 V DC, IP56	2,8	60 800 743
Glare-reduction hood, silver-grey	0,1	60 800 707
Ground spike, black	0,2	60 800 709
Installation clip		60 800 708
LED power pack (RGB, electronic dimming) 3 x 8 W, 230 V-AC / 24 V-DC	0,2	86 455 066
LED power pack 10 W, 230 V-AC / 24 V-DC		60 010 022
LED power pack 25 W, 230 V-AC / 24 V-DC	0,2	86 453 418
PWM sequencer (3-channel), for RGB colour control 12–24 V		86 454 968

RGB: customer must provide cable Ø 5–9 mm > or = 0.34 mm<sup>2</sup> (22 AWG), recommended LIYCY TP 4 x 0.5 mm<sup>2</sup>.

DMX ballast box (100 W): for operating using DMX signal up to 25 x PYLAS S RGB PWM 24V.



PYLAS M LED



- [...]
  - Mounting bracket made of hot-dipped galvanised steel
  - Screws, fixing parts and surface-mount components made of stainless steel (AISI 316L)
  - Luminaire can pivot from -21° to +201° in mounting bracket (graduated in degrees) and can be locked in position
  - Cable entry via PG 13.5 cable gland
  - LED RGB module (1 x red, 2 x green, 1 x blue)
  - Internal power connection: 3-pole terminal strip or 4-pole terminal strip (RGB)
  - Luminaire fixed by screw in mounting bracket (not included)
  - Earth spike for installing luminaire in ground available as optional accessory

LED spotlight luminaire

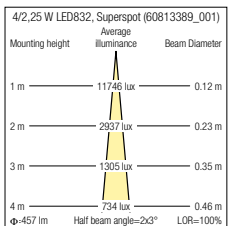
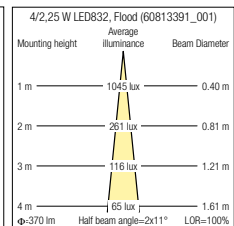
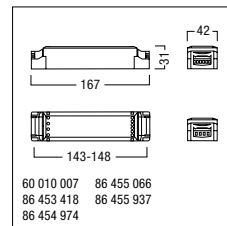
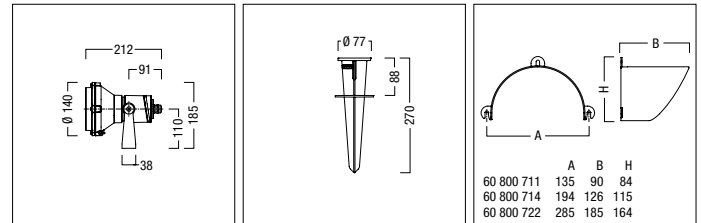
	kg	Order no.
4/2,25 W LED832, flood (23°)	1,9	60 813 391
4/2,25 W LED832, superspot (7°)	1,9	60 813 389
4/2,25 W LED860, flood (23°)	1,9	60 813 392
4/2,25 W LED860, superspot (7°)	1,9	60 813 390
<b>LED spotlight luminaire (RGB 24 V)</b>		
4/2 W LED RGB, flood (22°), 24 V	1,9	60 813 393

Accessory

DMX 5-pin XLR5 plug with 120 Ohm resistor, IP65/67		60 800 740
DMX 5-pin XLR5 plug, IP65/67		60 800 738
DMX 5-pin XLR5 socket with 120 Ohm resistor, IP65/67		60 800 741
DMX 5-pin XLR5 socket, IP65/67		60 800 739
DMX ballast box 100 W, 24 V DC, IP56	2,8	60 800 743
Glare-reduction hood, black	0,3	60 800 711
Ground spike, black	0,5	60 800 712
LED power pack (RGB, electronic dimming) 3 x 8 W, 230 V-AC / 24 V-DC	0,2	86 455 066
LED power pack 10 W, 230 V-AC / 24 V-DC		60 010 022
LED power pack 25 W, 230 V-AC / 24 V-DC	0,2	86 453 418
PWM sequencer (3-channel), for RGB colour control 12–24 V		86 454 968

RGB: customer must provide cable Ø 5–9 mm > or = 0.34 mm<sup>2</sup> (22 AWG), recommended LIYCY TP 4 x 0.5 mm<sup>2</sup>.

DMX ballast box (100 W): for operating using DMX signal up to 10 x PYLAS M RGB PWM 24V.



**PYLAS L / XL**

[...] Shared properties PYLAS L / XL

- Architectural spotlight luminaire for external illumination of objects and architectural details
- With superspot and flood beam pattern
- Mounting bracket made of hot-dipped galvanised steel
- Housing made of die-cast aluminium (copper-free) with high corrosion protection
- Dual-layer epoxy and polyester powder-coating in silver-grey finish for best possible resistance
- Luminaire cover made of toughened safety glass
- Glass cover fitted flush in luminaire surround to prevent dirt accumulation
- Silicone gasket
- Screws, fixing parts and surface-mount components made of stainless steel (AISI 316L)
- Cable entry via PG 13.5 cable gland
- DMX connected via 2 XLR5 male connectors (DMX-IN / DMX-OUT)
- DMX controller address is set via rotary switch on rear of housing
- Colour temperature: 3 200 K (LED832) or 6 000 K (LED860)
- Colour rendering index: Ra > 80
- IP66 degree of protection, equipment class I
- RGB: IP65 degree of protection, class of protection I
- Internal power connection: 3-pole terminal strip
- RGB: luminaire includes 0.5 m power lead (H07RN-F 3 x 1.5 mm<sup>2</sup>) and cable connector (3-pole)
- Includes electronic power pack, switched
- Luminaire fixed by screw in mounting bracket (not included)
- Through-wiring possible, RGB model not possible
- Customer needs to provide XLR5 socket/socket connector for DMX control cable

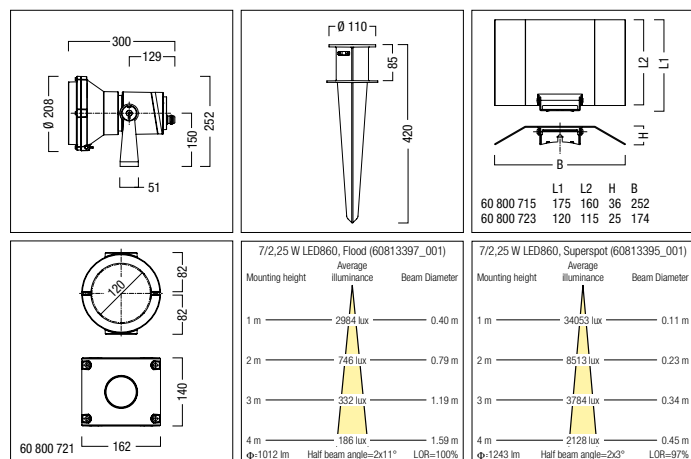
**PYLAS L LED**



- [...]
- Luminaire can pivot from -14° to +194° in mounting bracket (graduated in degrees) and can be locked in position
- LED RGB module (2 x red, 3 x green, 2 x blue)
- Mains voltage: 230 V / 50/60 Hz
- Earth spike for installing luminaire in ground or clamp for fitting to masts of Ø 120 mm available as optional accessory

	kg	Order no.
<b>LED spotlight luminaire</b>		
7/2,25 W LED832, flood (22°) IP66	4,4	60 813 396
7/2,25 W LED832, superspot (6°) IP66	4,4	60 813 394
7/2,25 W LED860, flood (22°) IP66	4,4	60 813 397
7/2,25 W LED860, superspot (6°) IP66	4,4	60 813 395
<b>LED spotlight luminaire (RGB)</b>		
7/2 W LED RGB, DMX, flood (22°) IP65	4,8	60 813 398
<b>Accessory</b>		
Anti-glare panel, black		60 800 715
Clamp, silver-grey		60 800 721
DMX 5-pin XLR5 plug with 120 Ohm resistor, IP65/67		60 800 740
DMX 5-pin XLR5 plug, IP65/67		60 800 738
DMX 5-pin XLR5 socket with 120 Ohm resistor, IP65/67		60 800 741
DMX 5-pin XLR5 socket, IP65/67		60 800 739
Glare-reduction hood, black		60 800 714
Ground spike, black		60 800 716

Only one anti-glare panel is included for each part no 60 800 715; to fit the complete system containing four panels you must order 4x 60 800 715.



PYLAS XL LED



- [...]
  - Luminaire can pivot from -19° to +199° in mounting bracket (graduated in degrees) and can be locked in position
  - LED RGB module (7 x red, 7 x green, 7 x blue)
  - Mains voltage: 230 V 0/50/60 Hz
  - Clamp for fitting to masts of diameter Ø 120 mm available as optional accessory

LED spotlight luminaire

21/2,25 W LED832, flood (22°)	9,3	60 813 403
21/2,25 W LED832, superspot (6°)	9,3	60 813 401
21/2,25 W LED860, flood (22°)	9,3	60 813 404
21/2,25 W LED860, superspot (6°)	9,3	60 813 402

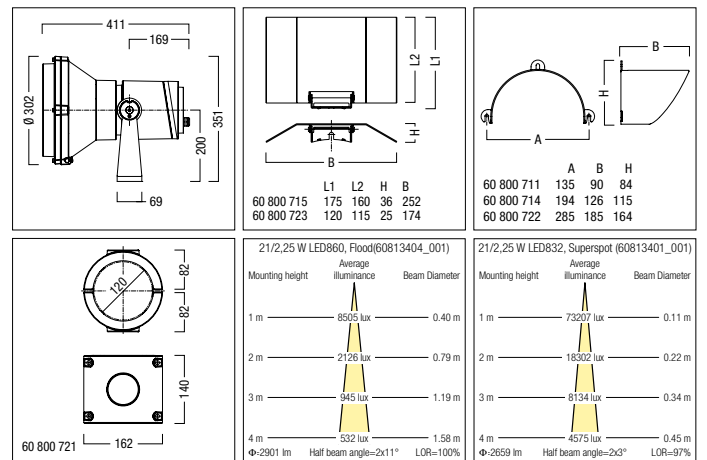
LED spotlight luminaire (RGB)

21/2 W LED RGB, DMX, flood (22°)	9,7	60 813 405
----------------------------------	-----	------------

Accessory

Anti-glare panel, black	60 800 723
Clamp, silver-grey	60 800 721
DMX 5-pin XLR5 plug with 120 Ohm resistor, IP65/67	60 800 740
DMX 5-pin XLR5 plug, IP65/67	60 800 738
DMX 5-pin XLR5 socket with 120 Ohm resistor, IP65/67	60 800 741
DMX 5-pin XLR5 socket, IP65/67	60 800 739
Glare-reduction hood, black	60 800 722

Only one anti-glare panel is included for each part no 60 800 723; to fit the complete system containing four panels you must order 4x 60 800 723.



## ELEVO

[...] Shared properties ELEVO

- Compact, low-profile LED spotlight for illuminating building facade features and surfaces
- Available with narrow (NB, 22°), wide (WB, 37°) or elliptical (43° x 16°) light distribution
- LED service life 50 000 h at 70 % luminous flux
- Ambient operating temperature: -30 °C ... +60 °C
- IP66 degree of protection for indoor and outdoor use; installation instructions (cable feed-through and separations) must be followed for outdoor applications
- Integrated over-temperature protection continuously dims luminaire with over-temperature from 50 °C
- Ambient operating temperature: -30 °C ... +60 °C
- Luminaire pre-wired using halogen-free leads
- 24 V converter for operating luminaire of length up to 12.6 m can be ordered separately
- Hinged brackets for floor or wall mounting; supply cable and IP66 plug/socket available as accessories

### ELEVO Monocolor PWM



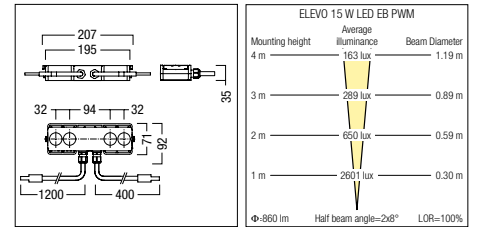
- [...]
- Luminaire pre-wired with IP65 plug connectors
- Luminaire suitable for switching or PWM-controlled dimming (follow wiring instructions), LEDs have 3 200 K or 6 000K colour temperature

#### LED spotlight, light colour 3 200 K

	L/W/H	kg	Order no.
15 W LED 832 EB PWM IO	207/71/35	0,7	<b>42 180 961</b>
15 W LED 832 NB PWM IO	207/71/35	0,7	<b>42 180 958</b>
15 W LED 832 WB PWM IO	207/71/35	0,7	<b>42 180 959</b>

#### LED spotlight, light colour 6 000 K

	L/W/H	kg	Order no.
15 W LED 760 EB PWM IO	207/71/35	0,7	<b>42 180 966</b>
15 W LED 760 NB PWM IO	207/71/35	0,7	<b>42 180 962</b>
15 W LED 760 WB PWM IO	207/71/35	0,7	<b>42 180 964</b>



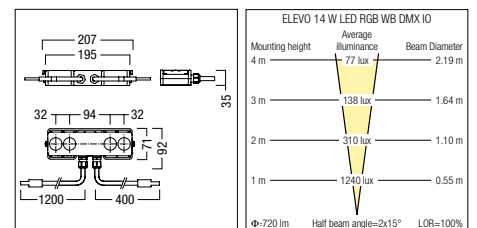
### ELEVO RGB DMX



- [...]
- Luminaire pre-wired with IP66 plug connectors
- Luminaire suitable for DMX control (3 channels), 4 x 3 LEDs (RGB)
- DMX addressing performed using addressing tool (ASTO USB and ASTO set)

#### LED spotlight RGB

	L/W/H	kg	Order no.
14 W LED RGB EB DMX IO	207/71/35	0,7	<b>42 181 158</b>
14 W LED RGB NB DMX IO	207/71/35	0,7	<b>42 181 160</b>
14 W LED RGB WB DMX IO	207/71/35	0,7	<b>42 181 159</b>





[...] Shared properties ELEVO P1/P2

- Compact, low-profile LED spotlight for illuminating building facade features and surfaces
- Luminaire pre-wired with IP66 plug connectors
- Integrated over-temperature protection continuously dims luminaire with over-temperature from 50 °C
- LED service life: 50 000 h at 70 % luminous flux
- IP66 degree of protection for indoor and outdoor use; installation instructions (cable feed-through and separations) must be followed for outdoor applications
- Ambient operating temperature: -30 °C ... +60 °C
- Luminaire pre-wired using halogen-free leads
- 24 V converter for operating luminaires can be ordered separately
- Hinged brackets for floor or wall mounting; supply cable and IP66 plug/socket available as accessories

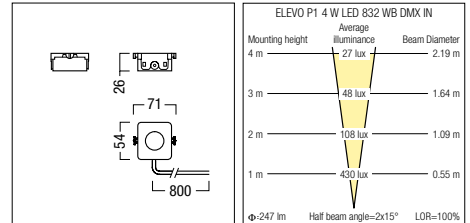
**ELEVO P1 RGB / Monocolor DMX**



- [...]
- Available with narrow (NB, 22°), wide (WB, 37°) or elliptical (43° x 16°) light distribution
- Light colour: RGB (red/green/blue) for variable colour modification
- Luminaire controllable via DMX
- Exclusive dual guide system for simple, error-free installation

**LED spotlight luminaire**

	L/W/H	kg	Order no.
4 W LED 760 EB DMX IN	62/54/26	0,3	22 660 292
4 W LED 760 NB DMX IN	62/54/26	0,3	22 660 293
4 W LED 760 WB DMX IN	62/54/26	0,3	22 660 294
4 W LED 832 EB DMX IN	62/54/26	0,3	22 660 289
4 W LED 832 NB DMX IN	62/54/26	0,3	22 660 291
4 W LED 832 WB DMX IN	62/54/26	0,3	22 660 300
4 W LED RGB EB DMX IN	62/54/26	0,3	22 620 659
4 W LED RGB NB DMX IN	62/54/26	0,3	22 620 651
4 W LED RGB WB DMX IN	62/54/26	0,3	22 620 655



**ELEVO P2 Monocolor DMX / PWM**



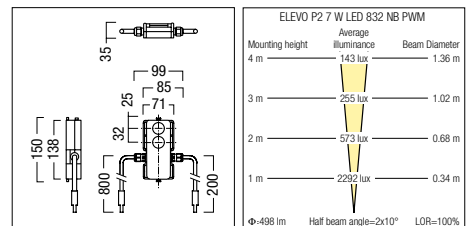
- [...]
- Available with superspot (SS, 6°), narrow (NB, 22°), wide (WB, 37°) and ellipsoid (EB, 43° x 16°) light distribution
- Light colour 3200 K or 6000 K
- Version PWM: luminaire suitable for switching or PWM-controlled dimming (observe wiring information)
- DMX version: luminaire controllable via DMX, DMX addressing via ASTO USB addressing tool

**LED spotlight, light colour 3200 K**

	L/W/H	kg	Order no.
3 W LED 832 SS PWM IO	138/71/35	0,5	22 620 670
7 W LED 832 EB DMX IO	138/71/35	0,5	22 620 668
7 W LED 832 EB PWM IO	138/71/35	0,5	22 620 669
7 W LED 832 NB DMX IO	138/71/35	0,5	22 620 663
7 W LED 832 NB PWM IO	138/71/35	0,5	22 620 665
7 W LED 832 WB DMX IO	138/71/35	0,5	22 620 666
7 W LED 832 WB PWM IO	138/71/35	0,5	22 620 667

**LED spotlight, light colour 6000 K**

	L/W/H	kg	Order no.
3 W LED 760 SS PWM IO	138/71/35	0,5	22 620 690
7 W LED 760 EB DMX IO	138/71/35	0,5	22 620 683
7 W LED 760 EB PWM IO	138/71/35	0,5	22 620 687
7 W LED 760 NB DMX IO	138/71/35	0,5	22 620 671
7 W LED 760 NB PWM IO	138/71/35	0,5	22 620 672
7 W LED 760 WB DMX IO	138/71/35	0,5	22 620 675
7 W LED 760 WB PWM IO	138/71/35	0,5	22 620 679



## ELEVO

### ELEVO P2 RGB DMX



- [...] |
- Available with narrow (NB, 22°) and ellipsoid (EB, 43° x 16°) light distribution
- Light colour: RGB (red/green/blue) for variable colour modification
- Luminaire controllable via DMX (3 channels)
- DMX addressing performed using addressing tool (ASTO USB and ASTO set)

	L/W/H	kg	Order no.
<b>LED spotlight RGB (red/green/blue)</b>			
6,5 W LED RGB EB DMX IO	138/71/35	0,5	22 620 693
6,5 W LED RGB NB DMX IO	138/71/35	0,5	22 620 691
6,5 W LED RGB WB DMX IO	138/71/35	0,5	22 620 692

IP66



halogen



incl. LED



## ELEVO line L04/08/12

[...] Shared properties ELEVO line

- Compact LED light line for illuminating facade elements and surfaces
- LED light heads with ellipsoid (EB, 43° x 16°) light distribution
- Including adjustable brackets for floor or wall mounting
- Luminaire pre-wired with IP66 plug connectors
- IP66 degree of protection for indoor and outdoor use; installation instructions (cable feed-through and separations) must be followed for outdoor applications
- Integrated over-temperature protection continuously dims luminaire with over-temperature from 50 °C
- LED service life 50 000 h at 70 % luminous flux
- Ambient operating temperature: -30 °C ... +60 °C
- Luminaire pre-wired using halogen-free leads
- 24 V converter for operating luminaires can be ordered separately
- Connection cable and IP66 socket/ plug available as accessories

### ELEVO line L04 Monocolor DMX / PWM



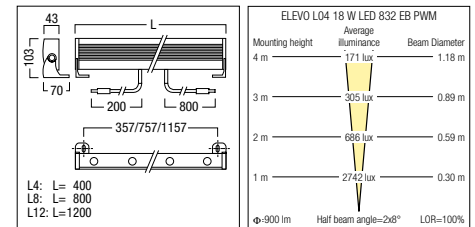
- [...]
- Light colour 3200 K or 6000 K
- Version PWM: luminaire suitable for switching or PWM-controlled dimming (observe wiring information)
- DMX version: luminaire controllable via DMX, DMX addressing via ASTO USB addressing tool

#### LED light line in light colour 3200 K

Power / Version	L/W/H	kg	Order no.
15 W LED 832 EB DMX IO 24 V	400/43/103	1,5	22 620 766
15 W LED 832 EB PWM IO 24 V	400/43/103	1,5	22 620 780
18 W LED 832 EB DMX IO 230 V	400/43/103	2,5	22 620 739
18 W LED 832 EB PWM IO 230 V	400/43/103	2,5	22 620 745

#### LED light line in light colour 6000 K

Power / Version	L/W/H	kg	Order no.
15 W LED 760 EB DMX IO 24 V	400/43/103	1,5	22 620 769
15 W LED 760 EB PWM IO 24 V	400/43/103	1,5	22 620 792
18 W LED 760 EB DMX IO 230 V	400/43/103	2,5	22 620 742
18 W LED 760 EB PWM IO 230 V	400/43/103	2,5	22 620 756



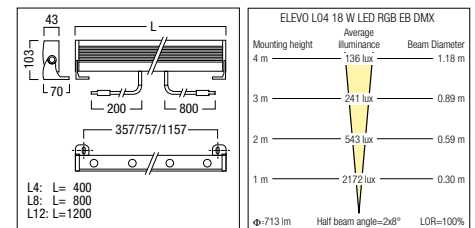
### ELEVO line L04 RGB DMX



- [...]
- Light colour: RGB (red / green / blue) for variable colour modification
- Luminaire controllable via DMX (3 channels)
- DMX addressing performed using addressing tool (ASTO USB and ASTO set)

#### LED spotlight RGB

Power / Version	L/W/H	kg	Order no.
15 W LED RGB EB DMX IO 24 V	400/43/103	1,5	22 620 796
18 W LED RGB EB DMX IO 230 V	400/43/103	2,5	22 620 763



### ELEVO line L08 Monocolor DMX / PWM



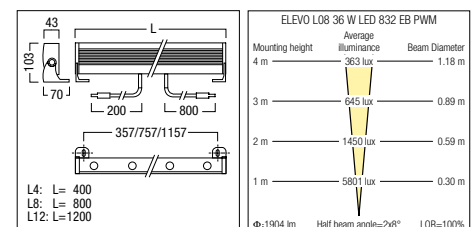
- [...]
- Light colour 3200 K or 6000 K
- Version PWM: luminaire suitable for switching or PWM-controlled dimming (observe wiring information)
- DMX version: luminaire controllable via DMX, DMX addressing via ASTO USB addressing tool

#### LED light line in light colour 3200 K

Power / Version	L/W/H	kg	Order no.
30 W LED 832 EB DMX IO 24 V	800/43/103	2,6	22 620 767
30 W LED 832 EB PWM IO 24 V	800/43/103	2,6	22 620 784
36 W LED 832 EB DMX IO 230 V	800/43/103	3,8	22 620 740
36 W LED 832 EB PWM IO 230 V	800/43/103	3,8	22 620 748

#### LED light line in light colour 6000 K

Power / Version	L/W/H	kg	Order no.
30 W LED 760 EB DMX IO 24 V	800/43/103	2,6	22 620 772
30 W LED 760 EB PWM IO 24 V	800/43/103	2,6	22 620 794
36 W LED 760 EB DMX IO 230 V	800/43/103	3,8	22 620 743
36 W LED 760 EB PWM IO 230 V	800/43/103	3,8	22 620 760



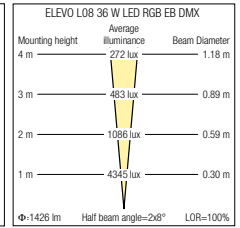
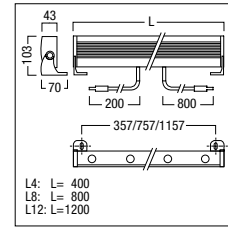
ELEVO line L08 RGB DMX



- [...]
- Light colour: RGB (red / green / blue) for variable colour modification
- Luminaire controllable via DMX (3 channels)
- DMX addressing performed using addressing tool (ASTO USB and ASTO set)

LED light line in RGB (red/green/blue)

	L/W/H	kg	Order no.
30 W LED RGB EB DMX IO 24 V	800/43/103	2,6	22 620 797
36 W LED RGB EB DMX IO 230 V	800/43/103	3,8	22 620 764



ELEVO line L12 Monocolor DMX / PWM



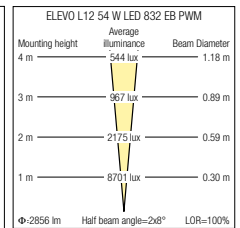
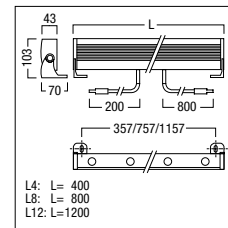
- [...]
- Light colour 3200 K or 6000 K
- Version PWM: luminaire suitable for switching or PWM-controlled dimming (observe wiring information)
- DMX version: luminaire controllable via DMX, DMX addressing via ASTO USB addressing tool

LED light line in light colour 3200 K

	L/W/H	kg	Order no.
45 W LED 832 EB DMX IO 24 V	1200/43/103	3,7	22 620 768
45 W LED 832 EB PWM IO 24 V	1200/43/103	3,7	22 620 788
54 W LED 832 EB DMX IO 230 V	1200/43/103	5,1	22 620 741
54 W LED 832 EB PWM IO 230 V	1200/43/103	5,1	22 620 752

LED light line in light colour 6000 K

	L/W/H	kg	Order no.
45 W LED 760 EB DMX IO 24 V	1200/43/103	3,7	22 620 776
45 W LED 760 EB PWM IO 24 V	1200/43/103	3,7	22 620 795
54 W LED 760 EB DMX IO 230 V	1200/43/103	5,1	22 620 744
54 W LED 760 EB PWM IO 230 V	1200/43/103	5,1	22 620 762



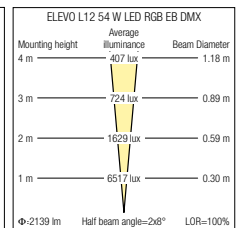
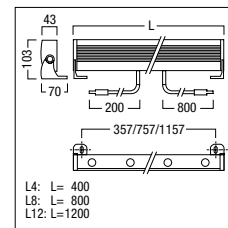
ELEVO line L12 RGB DMX



- [...]
- Light colour: RGB (red / green / blue) for variable colour modification
- Luminaire controllable via DMX (3 channels)
- DMX addressing performed using addressing tool (ASTO USB and ASTO set)

LED light line in RGB (red/green/blue)

	L/W/H	kg	Order no.
45 W LED RGB EB DMX IO 24 V	1200/43/103	3,7	22 620 798
54 W LED RGB EB DMX IO 230 V	1200/43/103	5,1	22 620 765



## ELEVO slimline SL04/08/12

[...] Shared properties ELEVO slimline

- Compact flat LED light line for illuminating facade elements and surfaces
- LED light heads with ellipsoid (EB, 43° x 16°) light distribution
- Including adjustable brackets for floor or wall mounting
- Luminaire pre-wired with IP66 plug connectors
- IP66 degree of protection for indoor and outdoor use; installation instructions (cable feed-through and separations) must be followed for outdoor applications
- Integrated over-temperature protection continuously dims luminaire with over-temperature from 50 °C
- LED service life 50 000 h at 70 % luminous flux
- Ambient operating temperature: -30 °C ... +60 °C
- Luminaire pre-wired using halogen-free leads
- 24 V converter for operating luminaires can be ordered separately
- Connection cable and IP66 socket/ plug available as accessories

### ELEVO slimline SL04 Monocolor DMX / PWM



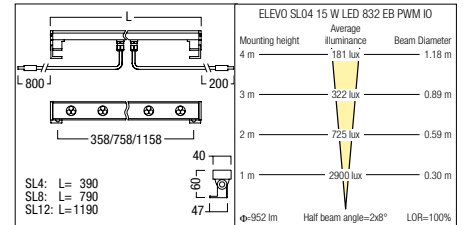
- [...]
- Light colour 3200 K or 6000 K
- Version PWM: luminaire suitable for switching or PWM-controlled dimming (observe wiring information)
- DMX version: luminaire controllable via DMX, DMX addressing via ASTO USB addressing tool

#### LED light line in light colour 6000 K

15 W LED 760 EB DMX IO 24 V	1,2	22 621 718
15 W LED 760 EB PWM IO 24 V	1,2	22 621 627

#### LED light line in light colour 3200 K

15 W LED 832 EB DMX IO 24 V	1,2	22 621 715
15 W LED 832 EB PWM IO 24 V	1,2	22 621 624



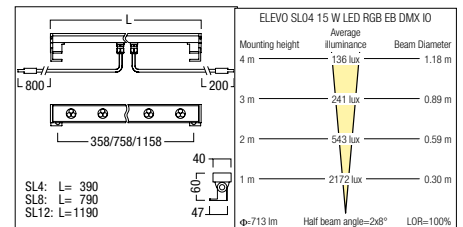
### ELEVO slimline SL04 RGB DMX



- [...]
- Light colour: RGB (red / green / blue) for variable colour modification
- Luminaire controllable via DMX (3 channels)
- DMX addressing performed using addressing tool (ASTO USB and ASTO set)

#### LED light line in RGB (red/green/blue)

15 W LED RGB EB DMX IO 24 V	1,2	22 621 621
-----------------------------	-----	------------



### ELEVO slimline SL08 Monocolor DMX / PWM



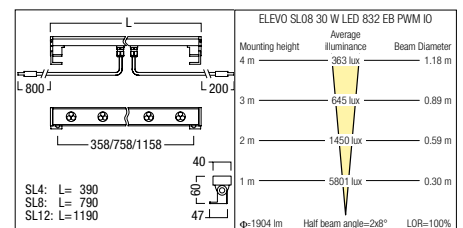
- [...]
- Light colour 3200 K or 6000 K
- Version PWM: luminaire suitable for switching or PWM-controlled dimming (observe wiring information)
- DMX version: luminaire controllable via DMX, DMX addressing via ASTO USB addressing tool

#### LED light line in light colour 6000 K

30 W LED 760 EB DMX IO 24 V	2,3	22 621 719
30 W LED 760 EB PWM IO 24 V	2,3	22 621 628

#### LED light line in light colour 3200 K

30 W LED 832 EB DMX IO 24 V	2,3	22 621 716
30 W LED 832 EB PWM IO 24 V	2,3	22 621 625



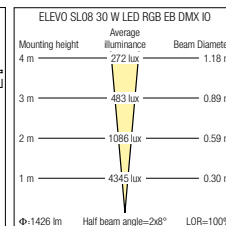
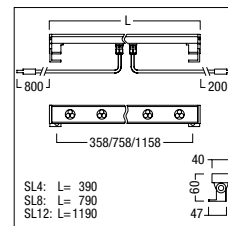
ELEVO slimline SL08 RGB DMX



- [...]
  - Light colour: RGB (red / green / blue) for variable colour modification
  - Luminaire controllable via DMX (3 channels)
  - DMX addressing performed using addressing tool (ASTO USB and ASTO set)

LED light line in RGB (red/green/blue)  
30 W LED RGB EB DMX IO 24 V

kg Order no.  
2,3 22 621 622



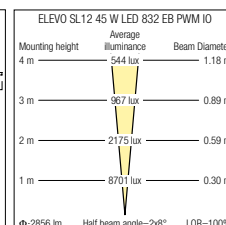
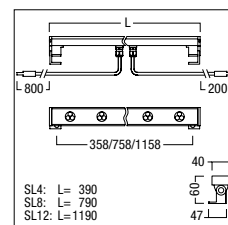
ELEVO slimline SL12 Monocolor DMX / PWM



- [...]
  - Luminaire wired with IP66 (PWM) or IP65 (DMX) plug connectors
  - Light colour 3200 K or 6000 K
  - Version PWM: luminaire suitable for switching or PWM-controlled dimming (observe wiring information)
  - DMX version: luminaire controllable via DMX, DMX addressing via ASTO USB addressing tool

LED light line in light colour 6000 K  
45 W LED 760 EB DMX IO 24 V  
45 W LED 760 EB PWM IO 24 V  
LED light line in light colour 3200 K  
45 W LED 832 EB DMX IO 24 V  
45 W LED 832 EB PWM IO 24 V

kg Order no.  
3,4 22 621 720  
3,4 22 621 629  
3,4 22 621 717  
3,4 22 621 626



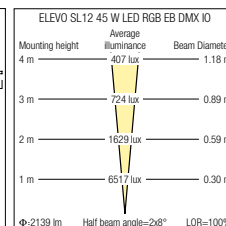
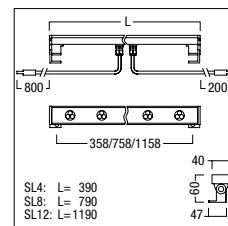
ELEVO slimline SL12 RGB DMX



- [...]
  - Light colour: RGB (red / green / blue) for variable colour modification
  - Luminaire controllable via DMX (3 channels)
  - DMX addressing performed using addressing tool (ASTO USB and ASTO set)

LED light line in RGB (red/green/blue)  
45 W LED RGB EB DMX IO 24 V

kg Order no.  
3,4 22 621 623



## ELEVO accessories

### ELEVO accessories Monocolor

Order no.

- 24 V power supply in switched version (CONVERTER) or PWM dimmable version (CONNECTION KIT)
- 4 m or 10 m connecting cable with female connector (WIB)
- 4 m extension cable with female/ male connector
- Socket and plug-socket set in IP66 (WIB and WIB WIS)
- IP66 plug-in cap (WIS END) for terminating a line with IP-level protection
- High fixing bracket for wall mounting
- Fixing bracket for surface-mounting on floor

#### Power supply

ANSCHL SET PWM IP65 150 W 	22 166 922
CONV 150 W 230/24V	22 166 927

#### Connection adapter cable

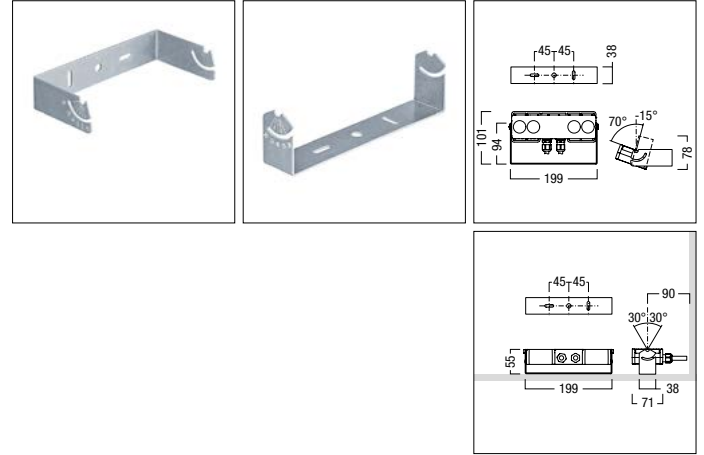
CABLE 10M + WIB 3 POL	22 168 728
CABLE 4m + WIB 3 POL	22 166 923
CABLE 4m + WIB 3 POL + WIS 3 POL	22 166 924

#### Socket and plug/socket set

WIB 3 POL	22 166 925
WIB WIS 3 POL SET	22 166 926
WIS 3POL END IP66	22 168 715

#### Fixture

BEF-H	22 168 712
BEF-L	22 168 711




### ELEVO accessories RGB DMX

Order no.

- 24 V power supply with DMX input and 24 V+ DMX-combined output (DMX CONNECTION KIT)
- 4 m or 10 m connecting cable with female connector (WIB)
- Socket and plug-socket set in IP66 (WIB and WIB WIS)
- IP66 plug-in cap for terminating a line with IP-level protection and built-in DMX terminating resistor (WIS DMX END)
- High fixing bracket for wall mounting
- Fixing bracket for surface-mounting on floor
- Addressing tool (ASTO), power supply (ASTO SET) and adapter cable (COS WIB adapter) for DMX addressing
- DMX data splitter

#### Power supply

ANSCHL SET DMX 150 W IP65 	22 166 276
---	------------

#### Connection adapter cable

CABLE 10M + WIB 5 POL	22 168 883
CABLE 4M + WIB 5 POL	22 168 884

#### Socket and plug/socket set

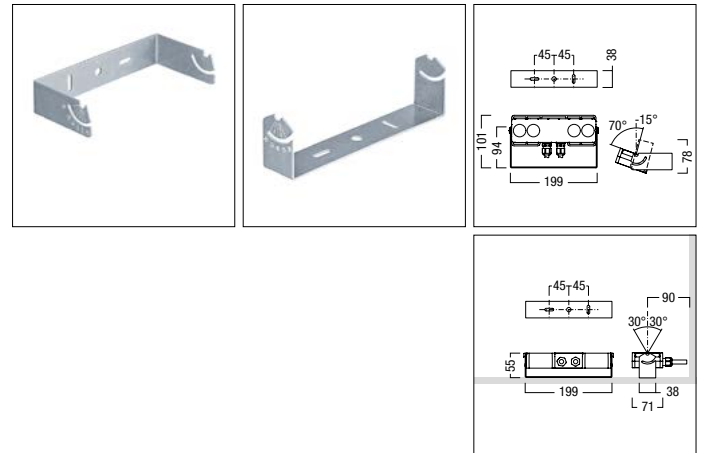
WIB 5 POL	22 168 885
WIB WIS 5 POL SET	22 168 886
WIS 5POL DMX END IP66	22 168 882

#### Fixture

BEF-H	22 168 712
BEF-L	22 168 711

#### Accessory

ASTO DMX VC USB	22 162 367
ASTO SET	22 166 277
COS WIB ADAPTER ASTO SET	22 168 887
SPLITTER DMX VC	22 166 267

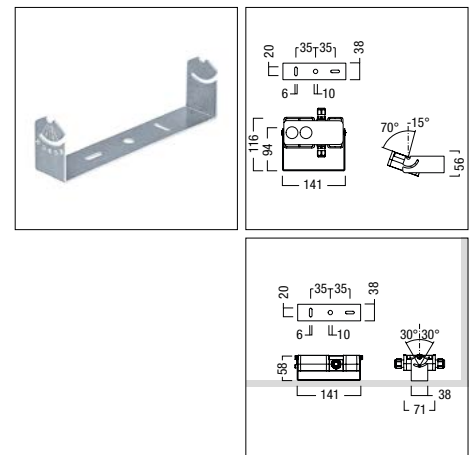




ELEVO accessories P2 / slimline / line

Order no.

<ul style="list-style-type: none"> <li>• 24 V power supply in switched version (CONVERTER) or PWM dimmable version (CONNECTION KIT)</li> </ul>	<b>Fixture</b>	
	P2 BEF-H	22 621 633
	P2 BEF-L	22 621 634
<ul style="list-style-type: none"> <li>• 4 m or 10 m connecting cable with female connector (WIB)</li> </ul>	<b>Power supply</b>	
	P2/L/SL CON SET PWM/DMX IP65 150 W	22 620 853
<ul style="list-style-type: none"> <li>• 4 m extension cable with female/male connector</li> </ul>	P2/L/SL CONV 150 W 230/24V	22 620 856
	<b>Connection adapter cable</b>	
<ul style="list-style-type: none"> <li>• Socket and plug-socket set in IP66 (WIB and WIB WIS)</li> </ul>	L 230V CABLE 10M+WIB 3P	22 621 703
	L 230V CABLE 10M+WIS+WIB 3P	22 621 705
<ul style="list-style-type: none"> <li>• IP66 plug-in cap (WIS END) for terminating a line with IP-level protection</li> </ul>	L 230V CABLE 4M+WIB 3P	22 621 702
	L 230V CABLE 4M+WIS+WIB 3P	22 621 704
<ul style="list-style-type: none"> <li>• High fixing bracket for wall mounting</li> </ul>	P2/L/SL DMX CABLE 10M+WIB 4 POL	22 621 610
	P2/L/SL DMX CABLE 10M+WIS+WIB 4P	22 621 612
<ul style="list-style-type: none"> <li>• Fixing bracket for surface-mounting on floor</li> </ul>	P2/L/SL DMX CABLE 4M+WIB 4 POL	22 621 609
	P2/L/SL DMX CABLE 4M+WIS+WIB 4P	22 621 611
	P2/L/SL PWM CABLE 10M+WIB 3 POL	22 621 614
	P2/L/SL PWM CABLE 10M+WIS+WIB 3P	22 621 616
	P2/L/SL PWM CABLE 4M+WIB 3 POL	22 621 613
	P2/L/SL PWM CABLE 4M+WIS+WIB 3P	22 621 615
	<b>Socket and plug/socket set</b>	
	L 230V WIB 3 POL	22 621 700
	L 230V WIB+WIS 3POL SET	22 621 701
	P2/L/SL DMX WIS + WIB 4 POL SET	22 621 618
P2/L/SL PWM WIS + WIB 3 POL SET	22 620 866	
P2/L/SL WIB 3 POL	22 620 641	
P2/L/SL WIB 3 POL END IP66	22 621 707	
P2/L/SL WIB 4 POL	22 620 639	
P2/L/SL WIS END IP65	22 621 617	



## HEDERA LED light line

[...] Shared properties HEDERA

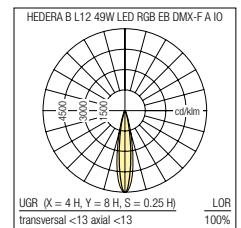
- Available as through-wired luminaire for series connection (IO) or as a single luminaire (IN) for a line termination with integral DMX terminating resistor
- Lengths: 600, 900, 1200 mm
- IP65 degree of protection for indoor and outdoor use; installation instructions (cable feed-through and separations) must be followed for outdoor applications
- IP65 housing made of anodised aluminium with 4 mm safety-glass cover
- High-power LEDs with efficient secondary optic for elliptical beam angle (EB - 10° x 20°); also available in narrow-beam (NB - 6°) and widebeam (WB - 35°) version
- Luminaire pre-wired with IP65 plug connectors
- Built-in overtemperature protection
- Ambient operating temperature: -20 °C ... +40 °C
- Ambient temperature in OFF state: -20 °C ... +60 °C
- IP65 connector and pivoted mount for floor or wall installation are available as accessories

## HEDERA B RGB



- [...]
- LED surface-mount light line for coloured, dynamic lighting of indoor and outdoor surfaces
- DMX addressing performed using addressing tool (ASTO USB and ASTO set)
- Light colour: RGB or RGBA

	L/W/H	kg	Order no.
Linear lighting module, complete controller with through-wiring			<i>electronic</i>
L06 27 W LED RGB EB DMX-F IO	628/70/90	4,1	42 181 852
L09 38 W LED RGB EB DMX-F IO	929/70/90	5,1	42 181 855
L12 49 W LED RGB EB DMX-F IO	1230/70/90	7,4	42 181 857

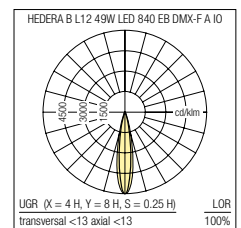


## HEDERA B Monocolor



- [...]
- LED surface-mount light line for static or dynamic surface illumination, for indoor and outdoor use
- Light colour: 3000, 4000, 5600 K, optionally in blue
- Control options: DMX-controlled, switched

	L/W/H	kg	Order no.
Linear lighting module, complete controller with through-wiring			<i>electronic</i>
L06 29 W LED 760 EB DMX-F IO	628/70/90	4,1	42 182 051
L06 30 W LED 830 WB DMX-F IO	628/70/90	4,1	42 925 295
L06 30 W LED 840 EB DMX-F IO	628/70/90	4,1	42 181 876
L09 39 W LED 760 EB DMX-F IO	929/70/90	5,1	42 182 052
L09 40 W LED 830 WB DMX-F IO	929/70/90	5,1	42 925 290
L09 40 W LED 840 EB DMX-F IO	929/70/90	5,1	42 181 873
L12 47 W LED 760 EB DMX-F IO	1230/70/90	7,4	42 182 053
L12 49 W LED 830 WB DMX-F IO	1230/70/90	7,4	42 925 292
L12 49 W LED 840 EB DMX-F IO	1230/70/90	7,4	42 181 870



- Socket or socket-plug set for power supply (230 V) in IP65 degree of protection
- XLR socket or socket-plug set for data (DMX) connection, 5-pin in IP65 degree of protection
- Adjustable bracket for mounting on floor, ceiling or wall
- Clip for floor or ceiling installation (TECTON AD)
- Splitter for connecting up to 4 DMX lines to up to 32 luminaires each
- ASTO Adresser and service tool for addressing, retrieving and setting luminaire values
- Adapter cable for connecting a HEDERA luminaire to the ASTO USB tool or to the SPLITTER DMX VC
- DMX - terminating resistor plug for line termination

**Socket and plug/socket set**

WIB 3POL	22 166 269
WIB WIS 3POL SET	22 166 271
XLRB 5POL	22 166 270
XLRB XLRS 5POL SET	22 166 272

**Fixture**

BEF SET	22 166 268
---------	------------

**Accessory**

Distribution board SPLITTER DMX VC	22 166 267
------------------------------------	------------

**Accessory**

ASTO DMX VC USB	22 162 367
ASTO/SPLITTER ADAPTER RJ45S XLRB	22 162 366
DMX 5-pin XLR5 plug with 120 Ohm resistor, IP65/67	60 800 740
TECTON/METRUM AD stainless steel	22 169 175



## IKONO S

|...| Shared properties IKONO S

- With spot and flood beam pattern
- Once luminaire is fitted, the light cone can be readjusted in a range of about  $\pm 15^\circ$
- Housing made of aluminium extrusion and die-cast aluminium (copper-free) with high corrosion protection
- Dual-layer epoxy and polyester powder-coating in silver-grey finish for best possible resistance
- Luminaire cover made of toughened safety glass
- Glass cover fitted flush in luminaire surround to prevent dirt accumulation
- Silicone gasket
- Luminaire body fixed to wall-mounting plate by 4 Allen screws
- Plug-in connector provides electrical connection to luminaire body and wall-mounting plate
- Cable entry via grommet
- Colour temperature: 3200 K (LED832) or 6000 K (LED860)
- Colour rendering index:  $R_a > 80$
- LED RGB module (red/green/blue)
- IP65 degree of protection, Class of protection I
- RGB: IP65 degree of protection, equipment class III
- Power connection: via 3-pole terminal strip or 4-pole terminal strip (RGB) on the wall-mounting plate
- Includes electronic power pack, switched
- Mains voltage: 230 V / 50/60 Hz
- RGB: 24 V DC PWM power supply provided by DMX ballast box (100 W) or LED power pack; please order separately
- Wall-mounting plate fixed to wall by 3 screws (not included)
- Through-wiring is possible

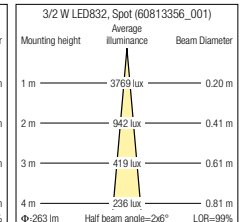
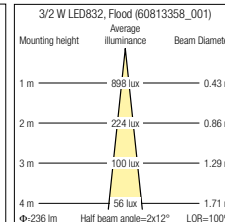
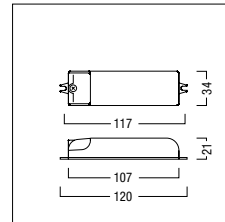
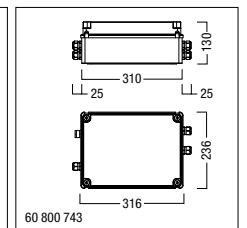
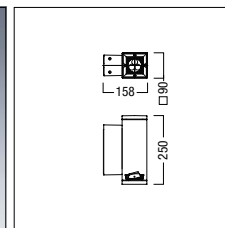
## IKONO-D S LED (Downlight)



- |...|
- Square wall luminaire with single-sided direct illumination for practical and creative lighting on building walls

	L/W/H	kg	Order no.
<b>LED wall luminaire</b>			
3/2 W LED832, flood (24°)	90/250/158	2,2	60 813 358
3/2 W LED832, spot (12°)	90/250/158	2,2	60 813 356
3/2 W LED860, flood (24°)	90/250/158	2,2	60 813 359
3/2 W LED860, spot (12°)	90/250/158	2,2	60 813 357
<b>LED wall luminaire (RGB 24 V)</b>			
3/2 W LED RGB flood (23°), 24 V	90/250/158	2,2	60 813 360
<b>Accessory</b>			
DMX 5-pin XLR5 plug with 120 Ohm resistor, IP65/67	19/19/69		60 800 740
DMX 5-pin XLR5 plug, IP65/67	19/19/69		60 800 738
DMX 5-pin XLR5 socket with 120 Ohm resistor, IP65/67	16/16/72		60 800 741
DMX 5-pin XLR5 socket, IP65/67	16/16/72		60 800 739
DMX ballast box 100 W, 24 V DC, IP56	316/236/130	2,8	60 800 743
<b>LED power pack (RGB, electronic dimming)</b>			
3 x 8 W, 230 V-AC / 24 V-DC	167/42/31	0,2	86 455 066
LED power pack 10 W, 230 V-AC / 24 V-DC	120/34/21		60 010 022
LED power pack 25 W, 230 V-AC / 24 V-DC		0,2	86 453 418
PWM sequencer (3-channel), for RGB colour control 12–24 V			86 454 968

RGB: recommended cable LIYCY 4 x 1 mm<sup>2</sup>.



IKONO-I/D S LED (Up/Downlight)



- [...]
  - Square wall luminaire with direct and indirect illumination (downlight and uplight) for practical and creative lighting on building facades

	L/W/H	kg	Order no.
<b>LED wall luminaire</b>			
6/2 W LED832, flood (24°) IP65 IK07	90/250/158	2,5	60 813 363
6/2 W LED832, spot (12°) IP65 IK07	90/250/158	2,5	60 813 361
6/2 W LED860, flood (24°) IP65 IK07	90/250/158	2,5	60 813 364
6/2 W LED860, spot (12°) IP65 IK07	90/250/158	2,5	60 813 362
<b>LED wall luminaire (RGB 24 V)</b>			
6/2 W LED RGB, flood (23°), 24 V IP65 IK07	90/250/158	2,5	60 813 365
<b>Accessory</b>			
DMX 5-pin XLR5 plug with 120 Ohm resistor, IP65/67	19/19/69		60 800 740
DMX 5-pin XLR5 plug, IP65/67	19/19/69		60 800 738
DMX 5-pin XLR5 socket with 120 Ohm resistor, IP65/67	16/16/72		60 800 741
DMX 5-pin XLR5 socket, IP65/67	16/16/72		60 800 739
DMX ballast box 100 W, 24 V DC, IP56	316/236/130	2,8	60 800 743
<b>LED power pack (RGB, electronic dimming)</b>			
3 x 8 W, 230 V-AC / 24 V-DC	167/42/31	0,2	86 455 066
LED power pack 10 W, 230 V-AC / 24 V-DC	120/34/21		60 010 022
LED power pack 25 W, 230 V-AC / 24 V-DC		0,2	86 453 418
PWM sequencer (3-channel), for RGB colour control 12–24 V			86 454 968

Please refer to the downlight version for the light distribution characteristics.  
 RGB: recommended cable LIYCY 4 x 1 mm<sup>2</sup>.

IK07
IP65
850 °C
incl. LED

60 800 743

60 010 007 86 455 066  
 86 453 418 86 455 937  
 86 454 974



## IKONO M

[...] Shared properties IKONO M

- With spot and flood beam pattern
- Once luminaire is fitted, the light cone can be readjusted in a range of about  $\pm 15^\circ$
- Housing made of aluminium extrusion and die-cast aluminium (copper-free) with high corrosion protection
- Dual-layer epoxy and polyester powder-coating in silver-grey finish for best possible resistance
- Luminaire cover made of toughened safety glass
- Silicone gasket
- Glass cover fitted flush in luminaire surround to prevent dirt accumulation
- Luminaire body fixed to wall-mounting plate by 4 Allen screws
- Plug-in connector provides electrical connection to luminaire body and wall-mounting plate
- Cable entry via grommet
- With DMX control unit and rotary switch for setting address
- Colour temperature: 3000 K (LED830) or 6500 K (LED865)
- Colour rendering index: Ra > 80
- LED RGB module (2 x red, 3 x green, 2 x blue)
- IP65 degree of protection, Class of protection I
- Power connection: via 3-pole terminal strip or 2 x 3-pole terminal strip (RGB: power supply / DMX signal) on the wall-mounting plate
- Includes electronic power pack
- Mains voltage: 230 V / 50/60 Hz
- Wall-mounting plate fixed to wall by 3 screws (not included)
- Through-wiring is possible

## IKONO-D M LED (Downlight)



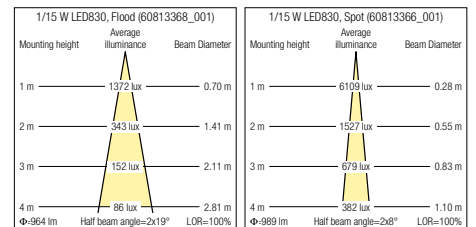
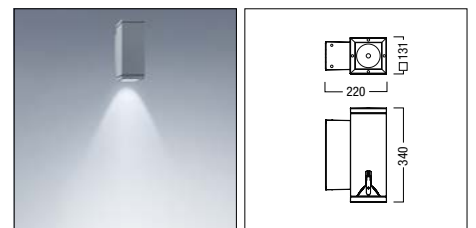
- [...]
- Square wall luminaire with single-sided direct illumination for practical and creative lighting on building walls

### LED wall luminaire

	L/W/H	kg	Order no.
1/15 W LED830, flood (39°)	131/340/220	4,8	60 813 368
1/15 W LED830, spot (16°)	131/340/220	4,8	60 813 366
1/15 W LED865, flood (39°)	131/340/220	4,8	60 813 369
1/15 W LED865, spot (16°)	131/340/220	4,8	60 813 367

### LED wall luminaire (RGB)

1/13 W LED RGB, DMX, flood (18°)	131/340/220	4,9	60 813 370
----------------------------------	-------------	-----	------------



## IKONO-I/D M LED (Up/Downlight)



- [...]
- Square wall luminaire with direct and indirect illumination (downlight and uplight) for practical and creative lighting on building facades

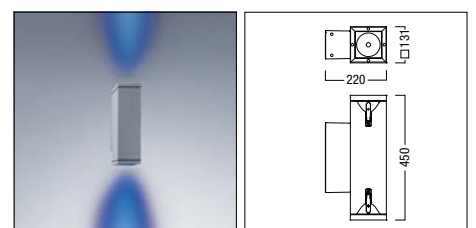
### LED wall luminaire

	L/W/H	kg	Order no.
2/15 W LED830, flood (39°)	131/450/220	6,8	60 813 373
2/15 W LED830, spot (16°)	131/450/220	6,8	60 813 371
2/15 W LED865, flood (39°)	131/450/220	6,8	60 813 374
2/15 W LED865, spot (16°)	131/450/220	6,8	60 813 372

### LED recessed wall luminaire (RGB)

2/13 W LED RGB, DMX, flood (18°)	131/450/220	6,9	60 813 375
----------------------------------	-------------	-----	------------

Please refer to the downlight version for the light distribution characteristics.



[...] Shared properties IKONO L

- With spot and flood beam pattern
- Once luminaire is fitted, the light cone can be readjusted in a range of about  $\pm 15^\circ$
- Housing made of aluminium extrusion and die-cast aluminium (copper-free) with high corrosion protection
- Dual-layer epoxy and polyester powder-coating in silver-grey finish for best possible resistance
- Luminaire cover made of toughened safety glass
- Glass cover fitted flush in luminaire surround to prevent dirt accumulation
- Silicone gasket
- Luminaire body fixed to wall-mounting plate by 4 Allen screws
- Plug-in connector provides electrical connection to luminaire body and wall-mounting plate
- Cable entry via grommet
- Colour temperature: 3000 K (LED830) or 6500 K (LED865)
- Colour rendering index:  $R_a > 90$
- IP65 degree of protection, Class of protection I
- Internal power connection: 3-pole terminal strip on the wall-mounting plate
- Includes electronic power pack, switched
- Mains voltage: 230 V / 50/60 Hz
- Wall-mounting plate fixed to wall by 3 screws (not included)
- Through-wiring is possible

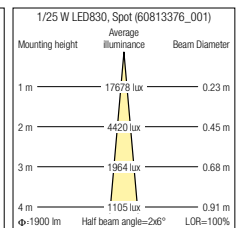
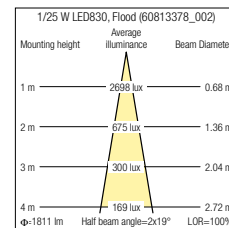
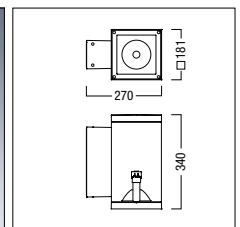
IKONO-D L LED (Downlight)



- [...]
- Square wall luminaire with single-sided direct illumination for practical and creative lighting on building walls

LED wall luminaire

	L/W/H	kg	Order no.
1/25 W LED830, flood (38°)	181/340/270	6,9	60 813 378
1/25 W LED830, spot (13°)	181/340/270	6,9	60 813 376
1/25 W LED865, flood (38°)	181/340/270	6,9	60 813 379
1/25 W LED865, spot (13°)	181/340/270	6,9	60 813 377



IKONO-I/D L LED (Up/Downlight)

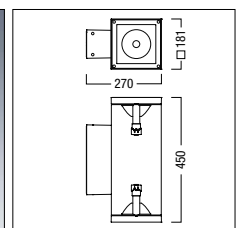


- [...]
- Square wall luminaire with direct and indirect illumination (downlight and uplight) for practical and creative lighting on building facades

LED wall luminaire

	L/W/H	kg	Order no.
2/25 W LED830, flood (38°)	181/450/270	9,9	60 813 382
2/25 W LED830, spot (13°)	181/450/270	9,9	60 813 380
2/25 W LED865, flood (38°)	181/450/270	9,9	60 813 383
2/25 W LED865, spot (13°)	181/450/270	9,9	60 813 381

Please refer to the downlight version for the light distribution characteristics.





- Square LED wall-effect luminaire with directional lighting in 2 or 4 directions
- Housing made of die-cast aluminium (copper-free) with high corrosion protection
- Dual-layer epoxy and polyester powder-coating in silver-grey finish for best possible resistance
- Cable entry via grommet
- Transparent lenses made of toughened safety glass
- Optical system comprises conical, highly specular reflector and LED board unit emitting indirect light beam
- Colour temperature: 6000 K
- Colour rendering index: Ra > 80
- Includes electronic power pack, max. 25 W switched; dimmable on request
- Power consumption: 10 W
- IP65 degree of protection, Class of protection I
- Connection: 3-pole terminal strip
- Mains voltage: 230 V 0/50/60 Hz
- Through-wiring is possible
- Luminaire housing fitted to wall plate using 4 Allen screws
- Mounted on wall using two fixing screws (not included)

## LED wall effects luminaire (Uplight / Downlight)

	L/W/H	kg	Order no.
10 W LED860, superspot	180/202/175	3,4	60 813 347
10 W LED860, superspot / wideflood	180/191/175	3,4	60 813 348

## LED wall effects luminaire (Horizontal light / Uplight / Downlight)

10 W LED860, superspot	202/202/175	3,2	60 813 349
------------------------	-------------	-----	------------





APHRODITE LED



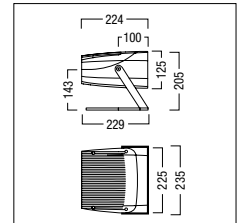
- Spotlight designed for practical and emotional lighting effects on vertical surfaces indoors and out using white light, coloured light or combinations
- Optical system comprises LED module and specially shaped glass cylinder controlled via stepper motor (patent pending)
- Seven preset lighting scenes are available for selection: white, colour-variable (RBA: red, blue, amber) and combinations of both
- Speed of lighting scenes can be adjusted manually using pushbutton on spotlight (3 levels, stand alone) or controlled externally using the DMX protocol (20 levels)
- Light projection effects generated on random basis with continuous variation in light pattern produced by different colour and brightness curves
- Luminaire can pivot in the mounting bracket and be locked in position
- Die-cast aluminium housing and aluminium fixing bracket in matt white powder-coated finish with high corrosion protection
- The front glass panel (clear) with ceramic printing is thermally hardened and is bonded tightly onto the spotlight housing for a reliable seal
- Glass cylinder made of borosilicate glass with glass deformations for light refraction
- DMX version: addressing of DMX control via rotary switch on rear of housing
- DMX connection (512-A standard) via DMX-IN / DMX-OUT with 0.02 m lead on spotlight
- LED module: white light with colour temperatures: 3 000 K, 4 200 K, 6 500 K and RBA (colour-variable): amber, red, blue
- Service life: 35 000 h at 70 % luminous flux
- IP65 degree of protection, Class of protection I
- Power lead: 3 m with safety plug (IP44), not suitable for CH or GB
- Mains voltage: 230–240 V / 50/60 Hz
- Luminaire fitted to wall, ceiling or floor using mounting bracket (for DMX version) or base
- Ideal for use in wellness areas and swimming pools

LED effects luminaire

40 W LED RBA/W DMX / momentary-action switch	4,5	60 712 193
40 W LED RBA/W momentary-action switch	4,8	60 712 957

Accessory

DMX 5-pin XLR5 plug with 120 Ohm resistor, IP65/67		60 800 740
DMX 5-pin XLR5 socket with 120 Ohm resistor, IP65/67		60 800 741





- Recessed luminaire for illuminating window recesses or lighting architectural details on a building facade
- Accent spot with lens optic
- With spot, flood or asymmetric / ellipsoid beam pattern
- Housing made of die-cast aluminium (copper-free) with high corrosion protection
- Dual-layer epoxy and polyester powder-coating in silver-grey finish for best possible resistance
- Luminaire cover made of chemically toughened, transparent safety glass, fixed using silicon adhesive
- PG cable gland
- Colour temperature: 3200 K (LED832) or 6000 K (LED860)
- Colour rendering index: Ra > 80
- IP65 degree of protection, equipment class III
- Operating current: 350 mA
- Luminaire includes power lead: 3 m (H07RN-F 2 x 1 mm<sup>2</sup>)
- Luminaire fitted using two M3 x 12 screws (included with product)
- Electronic ballast box (60 800 706), max. 10 W, 350 mA, 230 V 50/60 Hz, switched; for supplying up to 6 PAN luminaires; please order separately

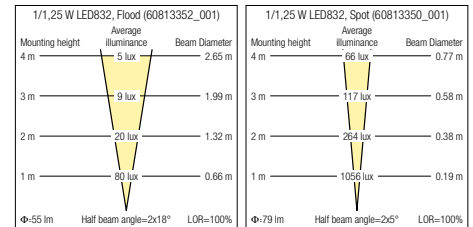
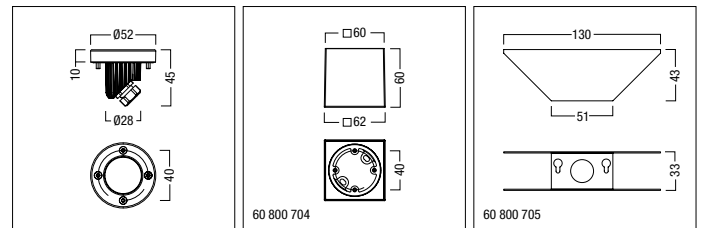
LED facade recessed luminaire

1/1,25 W LED832, asymmetric / ellipsoid	35/29	60 813 354
1/1,25 W LED832, flood (37°)	35/29	60 813 352
1/1,25 W LED832, spot (11°)	35/29	60 813 350
1/1,25 W LED860, asymmetric / ellipsoid	35/29	60 813 355
1/1,25 W LED860, flood (37°)	35/29	60 813 353
1/1,25 W LED860, spot (11°)	35/29	60 813 351

Accessory

Electronic supply box (IP55) 11 W, 350 mA, 230 V 50/60 Hz	60 300 010
Glare-reduction hood, black (for asymmetric luminaires)	60 800 705
IP67 cable connector, 4 x 1.5 mm <sup>2</sup>	60 800 175
Surface-mount housing, silver-grey	60 800 704

Surface-mount housing available as accessory for surface-mounting luminaire (please order separately)



[...] Shared properties LEDOS III S

- Miniaturised LED luminaire for installing in floor, wall or ceiling
- Trim and luminaire housing are permanently fixed together
- Luminaire housing and frosted protective cover made of polycarbonate
- SMD-LED with flat or convex frosted lens optic, wide beam
- Colour temperature: 3200 K (LED832) or 6000 K (LED860)
- Colour rendering index: Ra 80
- Degree of protection IP67, IP65 (when installed in closed ceilings)
- Protection class III
- Installed load: 0.6 W
- Protective low voltage: 24 V-DC SELV
- Power lead: 3 m (2-pole), with PG cable gland on housing
- Max. load for pedestrian traffic: 1000 kg
- Impact strength: IK 09
- Maximum surface temperature of glass cover is 34 °C
- Concrete casting surround required for installation in concrete floors, walls or ceilings (please order separately)
- Special installation kit (5–20 mm) required for installation in cavity floors, walls or ceilings (please order separately)
- Please order 24 V power packs separately (switched or dimmable)
- Please order LED power pack (60 010 017) separately: 24 V DC (by DIP switch), output power 20 W; switched, optionally dimmable (pushDIM, 1–10 V)
- External loop-in/loop-out of cable possible using IP67 universal box; please order separately

**LEDOS III S D30 buried uplighter, circular**



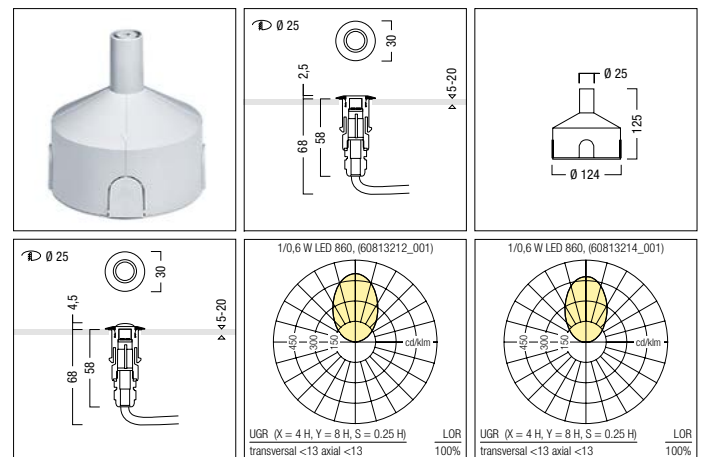
- [...]
- Stainless steel trim, V4A / AISI 316L grade with high corrosion resistance

**Circular trim (overlapping)**

	RD/RØ	Order no.
1/0,6 W LED832, 24 V convex protective cover, convex	68/25	60 813 215
1/0,6 W LED832, 24 V flat protective cover, frosted	68/25	60 813 213
1/0,6 W LED860, 24 V convex protective cover, convex	68/25	60 813 214
1/0,6 W LED860, 24 V flat protective cover, frosted	68/25	60 813 212

**Accessory**

LEDOS III S concrete casting surround	60 800 674
LEDOS III S installation kit for cavity floors/ceilings/walls	60 800 676



**LEDOS III S**

**LEDOS III S Q29 buried uplighter, square**

RD/RØ Order no.



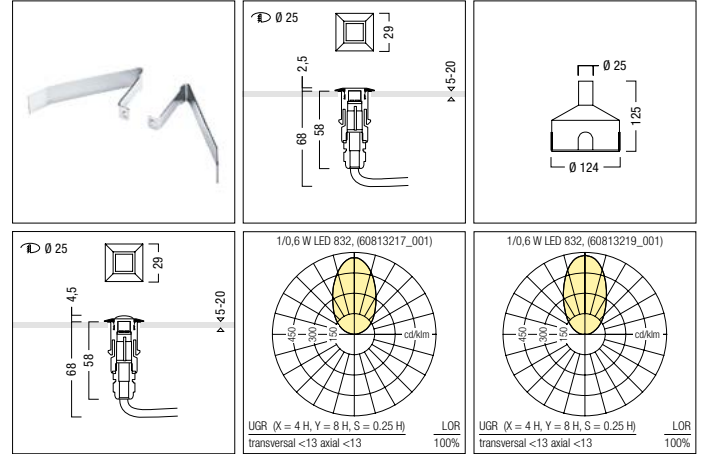
- [...]
  - Stainless steel trim, V4A / AISI 316L grade with high corrosion resistance

**Square trim (overlapping)**

1/0,6 W LED832, 24 V convex protective cover, convex	58/25	60 813 219
1/0,6 W LED832, 24 V flat protective cover, frosted	68/25	60 813 217
1/0,6 W LED860, 24 V convex protective cover, convex	58/25	60 813 218
1/0,6 W LED860, 24 V flat protective cover, frosted	68/25	60 813 216

**Accessory**

LEDOS III S concrete casting surround	60 800 674
LEDOS III S installation kit for cavity floors/ceilings/walls	60 800 676



[...] Shared properties LEDOS III M

- LED accent spotlight with lens optic for installing in floor, wall or ceiling
- Trim and luminaire housing are permanently fixed together
- Luminaire housing and transparent or frosted-look protective cover made of polycarbonate
- High-Power-LED with Spot, Flood, asymmetric and flat lens optic
- Colour temperature: 3200 K (LED832) or 6000 K (LED860)
- Colour rendering index: Ra 80
- Degree of protection IP67, IP65 (when installed in closed ceilings)
- Protection class III
- Installed load: 1.25 W
- Protective low voltage: 24 V-DC SELV
- Power lead: 1 m (2-pole), with PG cable gland on housing
- Max. load for pedestrian traffic: 1000 kg
- Impact strength: IK 09
- Maximum surface temperature of protective cover is 40 °C
- Concrete casting surround required for installation in concrete floors, walls or ceilings (please order separately)
- Special installation kit (5–20 mm) required for installation in cavity floors, walls or ceilings (please order separately)
- Please order 24 V power packs separately (switched or dimmable)
- Please order LED power pack (60 010 017) separately: 24 V DC (by DIP switch), output power 20 W; switched, optionally dimmable (pushDIM, 1–10 V)
- External loop-in/loop-out of cable possible using IP67 universal box; please order separately

**LEDOS III M D45 buried uplighter, circular**

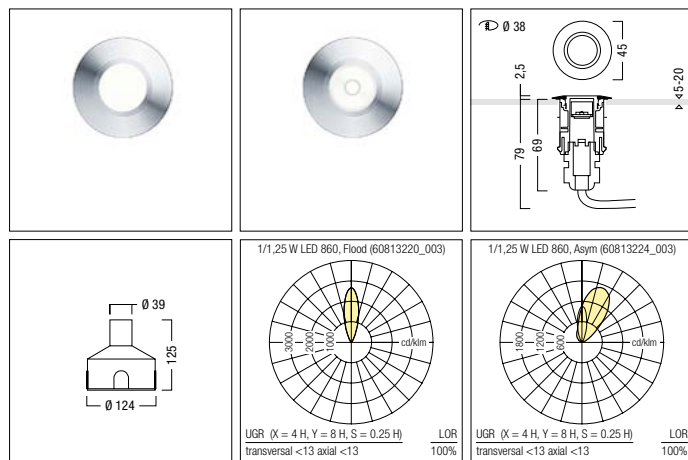


- [...]
- Stainless steel trim, V4A / AISI 316L grade with high corrosion resistance

	RD/RØ	kg	Order no.
<b>Circular trim (overlapping)</b>			
1/1,25 W LED832, 24 V flat protective cover, frosted	79/38	0,1	60 813 227
1/1,25 W LED832, 24 V spot lens optic	79/38	0,1	60 813 223
1/1,25 W LED832, 24 V textured asymmetric lens optic	79/38	0,1	60 813 225
1/1,25 W LED832, 24 V textured flood lens optic	79/38	0,1	60 813 221
1/1,25 W LED860, 24 V flat protective cover, frosted	79/38	0,1	60 813 226
1/1,25 W LED860, 24 V spot lens optic	79/38	0,1	60 813 222
1/1,25 W LED860, 24 V textured asymmetric lens optic	79/38	0,1	60 813 224
1/1,25 W LED860, 24 V textured flood lens optic	79/38	0,1	60 813 220

**Accessory**

LEDOS III M concrete casting surround	60 800 675
LEDOS III M installation kit for cavity floors/ceilings/walls	60 800 677



**LEDOS III M**

**LEDOS III M Q43 buried uplighter, square**



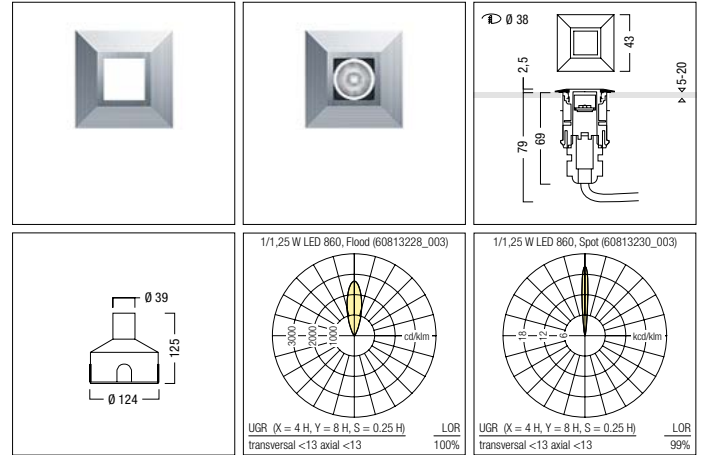
- [...]
  - Stainless steel trim, V4A / AISI 316L grade with high corrosion resistance

**Square trim (overlapping)**

	RD/RØ	kg	Order no.
1/1,25 W LED832, 24 V flat protective cover, frosted	79/38	0,2	60 813 235
1/1,25 W LED832, 24 V spot lens optic	79/38	0,2	60 813 231
1/1,25 W LED832, 24 V textured asymmetric lens optic	79/38	0,2	60 813 233
1/1,25 W LED832, 24 V textured flood lens optic	79/38	0,2	60 813 229
1/1,25 W LED860, 24 V flat protective cover, frosted	79/38	0,2	60 813 234
1/1,25 W LED860, 24 V spot lens optic	79/38	0,2	60 813 230
1/1,25 W LED860, 24 V textured asymmetric lens optic	79/38	0,2	60 813 232
1/1,25 W LED860, 24 V textured flood lens optic	79/38	0,2	60 813 228

**Accessory**

LEDOS III M concrete casting surround	60 800 675
LEDOS III M installation kit for cavity floors/ceilings/walls	60 800 677



[...] Shared properties LEDOS III L

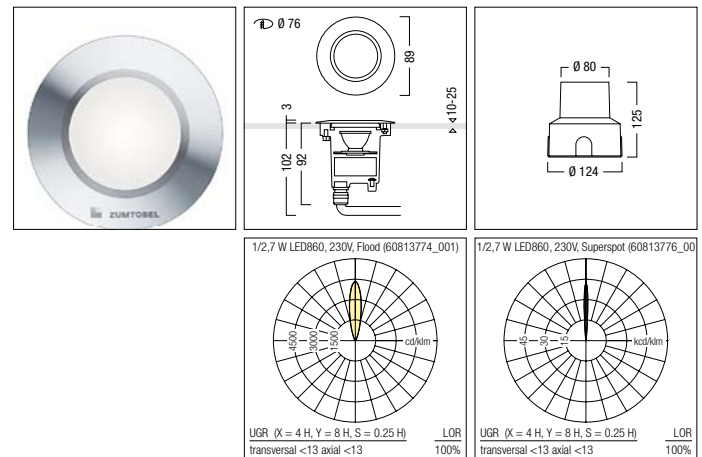
- LED accent spotlight with lens optic for ceiling or floor installation
- Luminaire housing made of die-cast aluminium, white powder-coated
- Uniformly illuminated, frosted-look protective cover
- Partially frosted glass cover (Spot / Flood models)
- LED unit can tilt through  $\pm 15^\circ$  (Spot / Flood models)
- High-Power-LED with Superspot, Flood or flat lens optic
- Colour temperature: 3200 K (LED832) or 6000 K (LED860)
- Colour rendering index:  $R_a > 80$
- Degree of protection IP67, IP65 (when installed in closed ceilings)
- Protection class I
- With built-in power supply for 230 V operation
- Installed load: approx. 2.1 W
- Power lead: 1.5 m (3-pole), with PG cable gland on housing
- Max. load for pedestrian traffic: 1000 kg
- Impact strength: IK 08
- Maximum surface temperature of protective cover is  $40^\circ\text{C}$
- Use concrete casting surround for installing in concrete floors and ceilings (please order separately)
- Luminaire fixed in concrete casting surround by stainless steel clips on luminaire housing
- Installation kit required for installation in cavity floors or ceilings (10–25 mm) (please order separately)
- External loop-in/loop-out of cable possible using IP67 universal box; please order separately

**LEDOS III L D89 buried uplighter, circular**



- [...]
- Stainless steel trim, V4A / AISI 316L grade with high corrosion resistance

	RD/RØ	kg	Order no.
<b>Circular trim (overlapping)</b>			<i>electronic</i>
1/2,1 W LED832, 230 V Glass cover, frosted, flat	102/76	0,4	60 813 779
1/2,1 W LED832, 230 V Superspot lens optic	102/76	0,4	60 813 777
1/2,1 W LED832, 230 V textured flood lens optic	102/76	0,4	60 813 775
1/2,1 W LED860, 230 V Glass cover, frosted, flat	102/76	0,4	60 813 778
1/2,1 W LED860, 230 V Superspot lens optic	102/76	0,4	60 813 776
1/2,1 W LED860, 230 V textured flood lens optic	102/76	0,4	60 813 774
<b>Accessory</b>			
Concrete casting surround LEDOS III L D89			60 800 750
LEDOS III L installation kit for cavity floors and ceilings			60 800 753



## LEDOS III L

### LEDOS III L Q85 buried uplighter, square



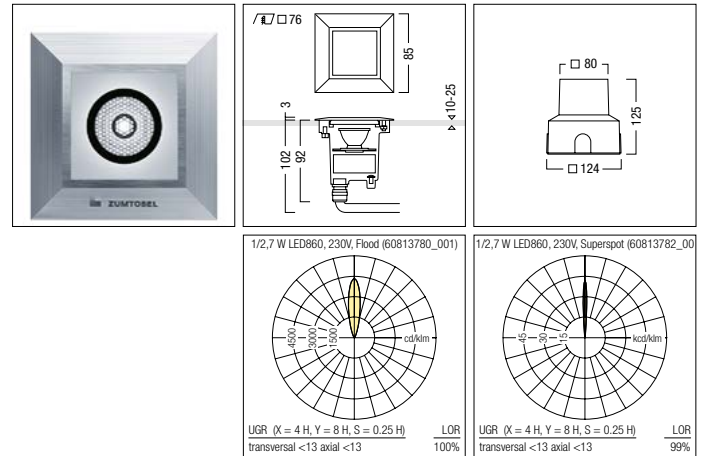
- [...]
  - Stainless steel trim, V4A / AISI 316L grade with high corrosion resistance

#### Square trim (overlapping)

	RD/RØ	kg	Order no.
1/2,1 W LED832, 230 V Glass cover, frosted, flat	102/76	0,5	60 813 785
1/2,1 W LED832, 230 V Superspot lens optic	102/76	0,5	60 813 783
1/2,1 W LED832, 230 V textured flood lens optic	102/76	0,5	60 813 781
1/2,1 W LED860, 230 V Glass cover, frosted, flat	102/76	0,5	60 813 784
1/2,1 W LED860, 230 V Superspot lens optic	102/76	0,5	60 813 782
1/2,1 W LED860, 230 V textured flood lens optic	102/76	0,5	60 813 780

#### Accessory

Concrete casting surround LEDOS III L Q85	60 800 751
LEDOS III L installation kit for cavity floors and ceilings	60 800 753

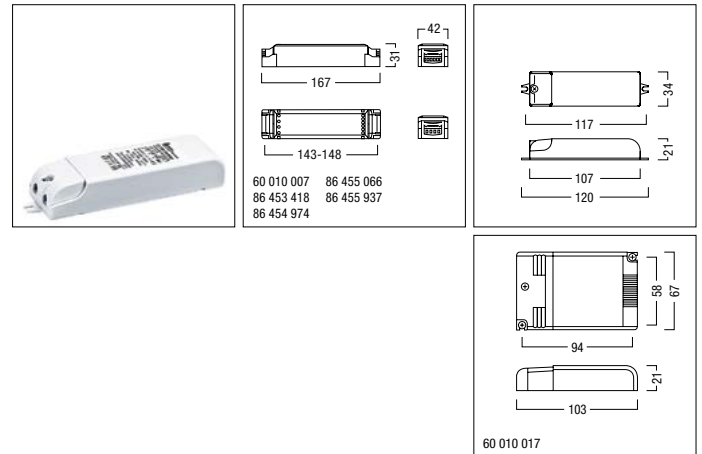


## LED power packs

- LED power pack (60 010 022), output signal 24 V DC, output power 10 W
- LED power pack (86 453 418), output signal 24 V DC, output power 25 W
- LED power pack (60 010 017) with 24 V DC output signal (by DIP switch), max. output power 20 W; switched, optionally dimmable (pushDIM, 1–10 V)

#### LED power packs

	L/W/H	kg	Order no.
LED power pack 10 W, 230 V-AC / 24 V-DC	120/34/21		60 010 022
LED power pack 25 W, 230 V-AC / 24 V-DC		0,2	86 453 418
LED power pack max. 25 W UNI (350–750 mA or 10/12/24 V by Dip Switch) / 1–10 V, 110–240 V AC	103/67/21	0,1	60 010 017





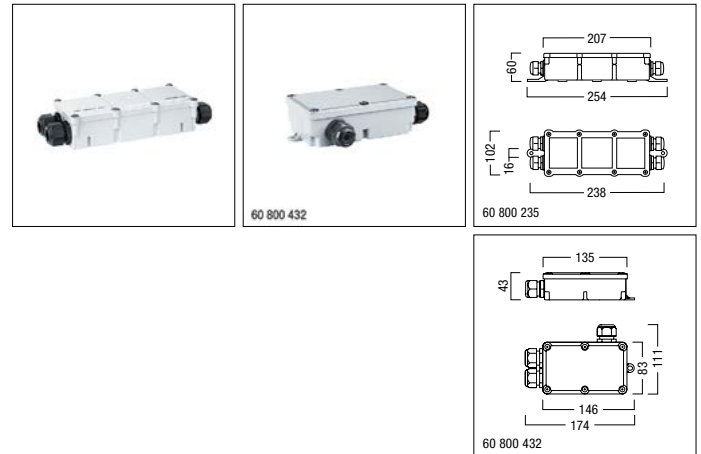
Universal boxes

Order no.

- IP67 multipurpose box (60 800 235): designed for connecting up to 4 suitable cables; can be used to accommodate control gear or for loop-in/loop-out of mains power lines or bus lines.
- Cable entry via 4 SW32 (M25) cable glands for cable Ø 6.4–16 mm; includes 2 cable-gland plugs; 6-pole connecting terminal, max. conductor cross-section 4 x 2.5 mm<sup>2</sup>
- IP67 MINI multipurpose box (60 800 432): enables connection of up to 3 suitable cables (H07RN-F, etc.); for loop-on/loop-out of mains cables outside luminaire unit
- Three SW25 PG cable glands for cables Ø 4.3–11.9 mm; 4-pole connecting terminal, max. conductor cross-section 2.5 mm<sup>2</sup>

Universal boxes

IP67 multi-purpose box for transformer or through-wiring IP67	60 800 235
MINI IP67 multi-purpose box for transformer or through-wiring	60 800 432



Cable connectors

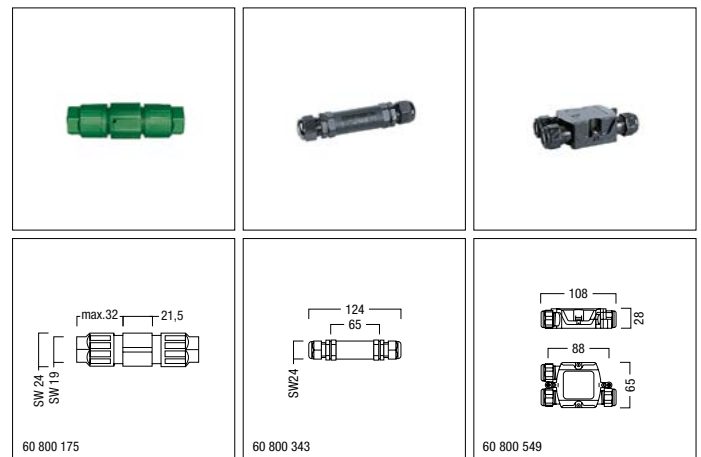
Order no.

- IP67 cable connector (60 800 175): 4-pole, max. 1,5 mm<sup>2</sup>; cable ends are fed through gland (providing seal) into cable connecting terminal; cables can be disconnected, e.g. when replacing LED circuit boards modules
- IP67 cable connector (60 800 343): 3-pole, 4 mm<sup>2</sup>; cable ends are fed through gland into screw terminals; cables can be disconnected if needed
- Cable connector for 3 cables, IP67 (60 800 549): 3-pole, 1.5 mm<sup>2</sup>, IP67; allows up to 3 cables to be connected plus connecting terminal; can also be used for cable loop-in/loop-out

Cable connector

3-way IP67 cable connector, 3 x 1.5 mm <sup>2</sup>	60 800 549
IP67 cable connector, 3 x 4.0 mm <sup>2</sup>	60 800 343
IP67 cable connector, 4 x 1.5 mm <sup>2</sup>	60 800 175

60 800 175: suitable for LEDOS III M / L.



## PASO II D120/Q120

[...] Shared properties PASO II 120

- Die-cast aluminium housing in powder-coated finish
- Colour: White
- Stainless steel trim with Camlock fasteners (no screws visible)
- Includes gasket to help prevent water penetrating between luminaire unit and casting surround
- PG cable gland
- Max. load for pedestrian traffic: 1000 kg; without trim: 500 kg
- Please always install with flexible cables e.g. H07RN-F
- Installed in concrete floors or pavings using concrete casting surround kit
- Model with overlapping trim: installation kit required for fitting in wooden or cavity floors; please order separately
- Model without trim: glass panel fixed by 4 torque screws
- Models with class "R10" anti-slip glass covers available upon request
- External loop-in/loop-out of cable possible using IP67 universal box; please order separately

### PASO II D120 LED circular



- [...]
- Access spot with approx. 10° spot beam pattern (Power-LEDs with lens optic)
- Partially frosted protective cover
- Colour temperature: 3200 K (LED832: warm white) or 6000 K (LED860: daylight white)
- Includes control gear
- Connection: 3-pole terminal strip
- Power-LED: swivels through ±20°
- Power consumption: 3.6 W
- IP67 degree of protection, Class of protection I
- Mains voltage: 230–240 V / 50/60 Hz
- Surface temperature of glass panel 37 °C maximum
- Neutral-white colour temperature available on request

#### Circular trim (overlapping), PowerLED 230 V

3/1,2 W LED daylight white, spot IK09	116/115	60 813 717
3/1,2 W LED warm white, spot IK09	116/115	60 813 716

#### Circular trim (flush), PowerLED 230 V

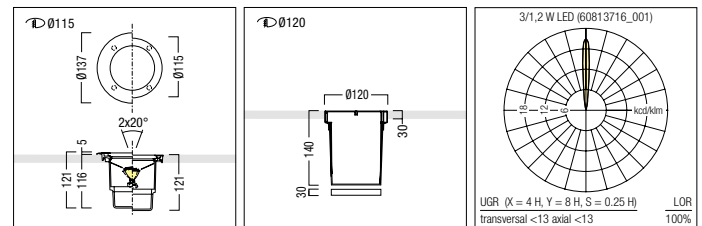
3/1,2 W LED daylight white, spot IK09	121/115	60 813 719
3/1,2 W LED warm white, spot IK09	121/115	60 813 718

#### Without trim, circular (flush), PowerLED 230 V

3/1,2 W LED daylight white, spot IK08	121/115	60 813 721
3/1,2 W LED warm white, spot IK08	121/115	60 813 720

#### Accessory

13.5 cable gland in special steel (V2A)	60 800 294
Concrete casting surround set D120	60 800 182
D/Q120 installation kit for wooden and cavity floors	60 800 190
D/Q120 mounting kit for downlight and wall-mounted position	60 800 304
D120 glass seal	60 800 274
D120 glass seal for luminaires without surround	60 800 280



### PASO II Q120 LED square



- [...]
- Access spot with approx. 10° spot beam pattern (Power-LEDs with lens optic)
- Partially frosted protective cover
- Colour temperature: 3200 K (LED832: warm white) or 6000 K (LED860: daylight white)
- Includes control gear
- Connection: 3-pole terminal strip
- Power-LED: swivels through ±20°
- Power consumption: 3.6 W
- IP67 degree of protection, Class of protection I
- Mains voltage: 230–240 V / 50/60 Hz
- Surface temperature of glass panel 37 °C maximum
- Neutral-white colour temperature available on request

#### Square trim (overlapping), PowerLED 230 V

3/1,2 W LED daylight white, spot IK09	115/115/116	60 813 723
3/1,2 W LED warm white, spot IK09	115/115/116	60 813 722

#### Square trim (flush), PowerLED 230 V

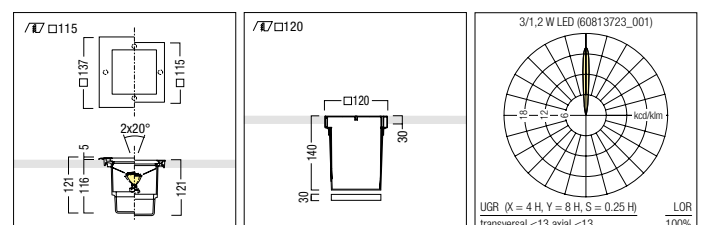
3/1,2 W LED daylight white, spot IK09	115/115/121	60 813 725
3/1,2 W LED warm white, spot IK09	115/115/121	60 813 724

#### Without trim, square (flush), PowerLED 230 V

3/1,2 W LED daylight white, spot IK08	115/115/121	60 813 727
3/1,2 W LED warm white, spot IK08	115/115/121	60 813 726

#### Accessory

13.5 cable gland in special steel (V2A)	60 800 294
Concrete casting surround set Q120	60 800 183
D/Q120 installation kit for wooden and cavity floors	60 800 190
D/Q120 mounting kit for downlight and wall-mounted position	60 800 304
Q120 glass seal	60 800 275
Q120 glass seal for luminaires without surround	60 800 281

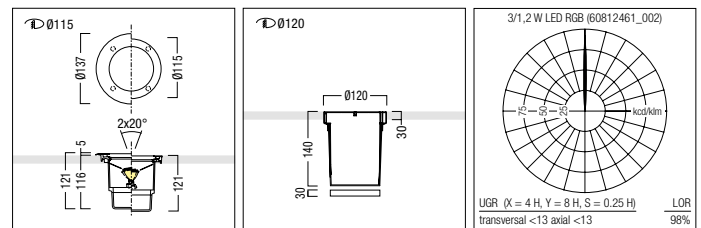


PASO II D120 LED RGB circular



- [...]
  - Accent spot with approx. 3° superspot beam pattern (Power-LEDs with lens optic)
  - Partially frosted protective cover
  - Power LED RGB (red/green/blue): ±20° tilt
  - Converter (24 V) built into the luminaire
  - Power connection: 4-pole terminal strip (common RGB positive terminal)
  - Power consumption: 3.6 W
  - IP67 degree of protection, Class of protection III
  - Protective low voltage: 24 V-DC SELV
  - Operated via DALI power pack, 1–10 V power pack or sequencer; please order separately
  - Surface temperature of glass panel 37 °C maximum

Circular trim (overlapping), PowerLED RGB 24 V		
3/1,2 W LED RGB superspot	116/115	60 812 461
Circular trim (flush), PowerLED RGB 24 V		
3/1,2 W LED RGB superspot	121/115	60 812 462
Without trim, circular (flush), PowerLED RGB 24 V		
3/1,2 W LED RGB superspot	121/115	60 812 463
Accessory		
13.5 cable gland in special steel (V2A)		60 800 294
Concrete casting surround set D120	140/120	60 800 182
D/Q120 installation kit for wooden and cavity floors		60 800 190
D/Q120 mounting kit for downlight and wall-mounted position		60 800 304
D120 glass seal		60 800 274
D120 glass seal for luminaires without surround		60 800 280
LED power pack (RGB, electronic dimming) 3 x 8 W, 230 V-AC / 24 V-DC		86 455 066
LED power pack 10 W, 230 V-AC / 24 V-DC		60 010 022
PWM dimmer (3-channel), for RGB colour control 12–24 V (SELV)		86 454 974
PWM sequencer (3-channel), for RGB colour control 12–24 V		86 454 968

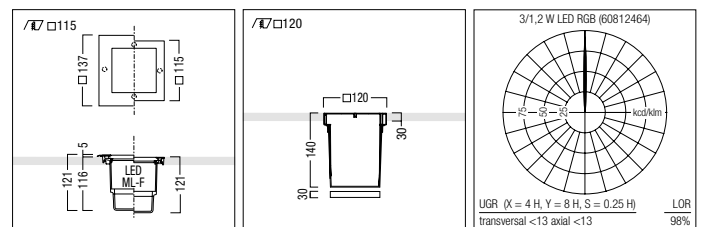


PASO II Q120 LED RGB square



- [...]
  - Accent spot with approx. 3° superspot beam pattern (Power-LEDs with lens optic)
  - Partially frosted protective cover
  - Power LED RGB (red/green/blue): ±20° tilt
  - Converter (24 V) built into the luminaire
  - Power connection: 4-pole terminal strip (common RGB positive terminal)
  - Power consumption: 3.6 W
  - IP67 degree of protection, Class of protection III
  - Protective low voltage: 24 V-DC SELV
  - Operated via DALI power pack, 1–10 V power pack or sequencer; please order separately
  - Surface temperature of glass panel 37 °C maximum

Square trim (overlapping), PowerLED RGB 24 V		
3/1,2 W LED RGB superspot	115/115/116	60 812 464
Square trim (flush), PowerLED RGB 24 V		
3/1,2 W LED RGB superspot	115/115/121	60 812 465
Without trim, square (flush), PowerLED RGB 24 V		
3/1,2 W LED RGB superspot	115/115/121	60 812 466
Accessory		
13.5 cable gland in special steel (V2A)		60 800 294
Concrete casting surround set Q120	120/120/140	60 800 183
D/Q120 installation kit for wooden and cavity floors		60 800 190
D/Q120 mounting kit for downlight and wall-mounted position		60 800 304
LED power pack (RGB, electronic dimming) 3 x 8 W, 230 V-AC / 24 V-DC		86 455 066
LED power pack 10 W, 230 V-AC / 24 V-DC		60 010 022
PWM dimmer (3-channel), for RGB colour control 12–24 V (SELV)		86 454 974
PWM sequencer (3-channel), for RGB colour control 12–24 V		86 454 968
Q120 glass seal		60 800 275
Q120 glass seal for luminaires without surround		60 800 281





PASO II D120 Soft LED RGB circular



- [...] |...|
- Frosted protective cover with diffuser
- LED RGB module (red/green/blue)
- Converter (24 V) built into the luminaire
- Power connection: 4-pole terminal strip (common RGB positive terminal)
- Power consumption: 4.3 W
- IP67 degree of protection, Class of protection III
- Protective low voltage: 24 V-DC SELV
- Operated via DALI power pack, 1–10 V power pack or sequencer; please order separately
- Surface temperature of glass panel 37 °C maximum

Circular trim (overlapping), Soft LED RGB 24 V

1/4,3 W LED RGB	116/115	60 812 497
-----------------	---------	------------

Circular trim (flush), Soft LED RGB 24 V

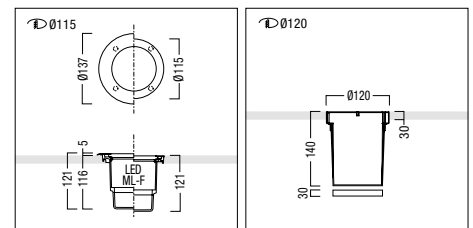
1/4,3 W LED RGB	121/115	60 812 498
-----------------	---------	------------

Without trim, circular (flush), Soft LED RGB 24 V

1/4,3 W LED RGB	121/115	60 812 499
-----------------	---------	------------

Accessory

13.5 cable gland in special steel (V2A)		60 800 294
Concrete casting surround set D120	140/120	60 800 182
D/Q120 installation kit for wooden and cavity floors		60 800 190
D/Q120 mounting kit for downlight and wall-mounted position		60 800 304
D120 glass seal		60 800 274
D120 glass seal for luminaires without surround		60 800 280
LED power pack (RGB, electronic dimming) 3 x 8 W, 230 V-AC / 24 V-DC		86 455 066
LED power pack 10 W, 230 V-AC / 24 V-DC		60 010 022
PWM dimmer (3-channel), for RGB colour control 12–24 V (SELV)		86 454 974
PWM sequencer (3-channel), for RGB colour control 12–24 V		86 454 968



PASO II Q120 Soft LED RGB square



- [...] |...|
- Frosted protective cover with diffuser
- LED RGB module (red/green/blue)
- Converter (24 V) built into the luminaire
- Power connection: 4-pole terminal strip (common RGB positive terminal)
- Power consumption: 4.3 W
- IP67 degree of protection, Class of protection III
- Protective low voltage: 24 V-DC SELV
- Operated via DALI power pack, 1–10 V power pack or sequencer; please order separately
- Surface temperature of glass panel 37 °C maximum

Square trim (overlapping), Soft LED RGB 24 V

1/4,3 W LED RGB	115/115/116	60 812 506
-----------------	-------------	------------

Square trim (flush), Soft LED RGB 24 V

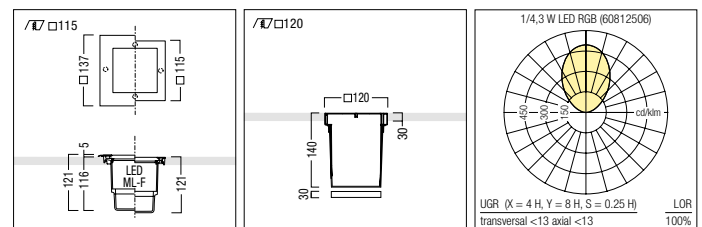
1/4,3 W LED RGB	115/115/121	60 812 507
-----------------	-------------	------------

Without trim, square (flush), Soft LED RGB 24 V

1/4,3 W LED RGB	115/115/121	60 812 508
-----------------	-------------	------------

Accessory

13.5 cable gland in special steel (V2A)		60 800 294
Concrete casting surround set Q120	120/120/140	60 800 183
D/Q120 installation kit for wooden and cavity floors		60 800 190
D/Q120 mounting kit for downlight and wall-mounted position		60 800 304
LED power pack (RGB, electronic dimming) 3 x 8 W, 230 V-AC / 24 V-DC		86 455 066
LED power pack 10 W, 230 V-AC / 24 V-DC		60 010 022
PWM dimmer (3-channel), for RGB colour control 12–24 V (SELV)		86 454 974
PWM sequencer (3-channel), for RGB colour control 12–24 V		86 454 968
Q120 glass seal		60 800 275
Q120 glass seal for luminaires without surround		60 800 281





- [...]
  - Partially frosted protective cover
  - Frosted protective cover with diffuser in models designed for TCR-TSE flat compact fluorescent lamp
- Power connection: 3-pole terminal strip (TCR-TSE), 2-pole terminal strip (QR-CBC)
- QR-CBC:  $\pm 20^\circ$  tilt
- IP67 degree of protection, Class of protection I (TCR-TSE flat), Class of protection III (QR-CBC)
- QR-CBC lamps: only with type QR-CBC IRC 51, max. wattage 20 W
- TCR-TSE mains voltage: 220–240 V, 50/60 Hz
- QR-CBC lamp rated voltage 12 V, please order transformer separately
- Maximum surface temperature of glass panel: 90 °C for QR-CBC; 55 °C for TCR-TSE
- Max. of 2 accessory parts installed using filter holder
- TCR-TSE flat: cannot be fitted with filter/louvre

**Circular trim (overlapping)**

1/6 W TCR-TSE flat GX53 frosted protective cover	116/115	60 810 583
1/20 W QR-CBC IRC 51 GU5,3 protective cover, partly frosted white powder-coated	116/115	60 812 435

**Circular trim (flush)**

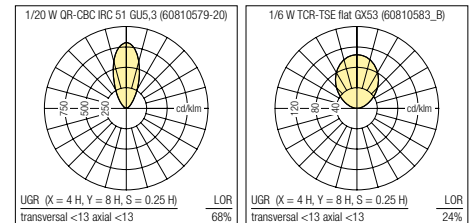
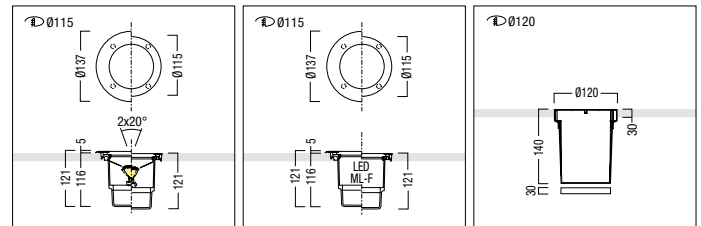
1/6 W TCR-TSE flat GX53 frosted protective cover	121/115	60 810 584
1/20 W QR-CBC IRC 51 GU5,3 protective cover, partly frosted white powder-coated	121/115	60 812 436

**Without trim, circular (flush)**

1/6 W TCR-TSE flat GX53 frosted protective cover	121/115	60 810 585
1/20 W QR-CBC IRC 51 GU5,3 protective cover, partly frosted white powder-coated	121/115	60 810 579

**Accessory**

13.5 cable gland in special steel (V2A)	60 800 294
blue interference colour filter	60 800 206
Concrete casting surround set D120	60 800 182
D/Q120 installation kit for wooden and cavity floors	60 800 190
D/Q120 mounting kit for downlight and wall-mounted position	60 800 304
D120 glass seal	60 800 274
D120 glass seal for luminaires without surround	60 800 280
Filter holder (D/Q120), for 2 filters maximum	60 800 193
green interference colour filter	60 800 207
Honeycomb louvre D/Q120, black	60 800 199
IR blocking filter	60 800 229
Lamp TCR-TSE flat 6W/840 GX53 (SYLVANIA)	24 145 240
red interference colour filter	60 800 205
Relamping tool (QR-CBC)	60 800 282
yellow interference colour filter	60 800 208





PASO II D190/Q190

PASO II D190 Soft LED circular, recessed depth 100 mm

RD/R0 Order no.



- Die-cast aluminium housing in powder-coated finish
- Colour: White
- Stainless steel trim with Camlock fasteners (no screws visible)
- Includes gasket to help prevent water penetrating between luminaire unit and casting surround
- Frosted protective cover with diffuser
- Power lead: 0.5 m (3-pole), with PG cable gland on housing
- Includes control gear
- Max. load: 1000 kg, can be walked over
- Colour temperature (LED module): 3200 K (warm white) or 6650 K (daylight white)
- Power consumption: 4.8 W
- IP67 degree of protection, Class of protection I
- Mains voltage: 220–240 V / 50/60 Hz
- Surface temperature of glass panel 35 °C maximum
- Please always install with flexible cables e.g. H07RN-F
- Installed in concrete floors or pavings using concrete casting surround kit
- Model with overlapping trim: installation kit required for fitting in wooden or cavity floors; please order separately
- Models with class “R10” anti-slip glass covers available upon request
- External loop-in/loop-out of cable possible using IP67 universal box; please order separately
- Neutral-white colour temperature available on request

Circular trim (overlapping), Soft LED 230 V

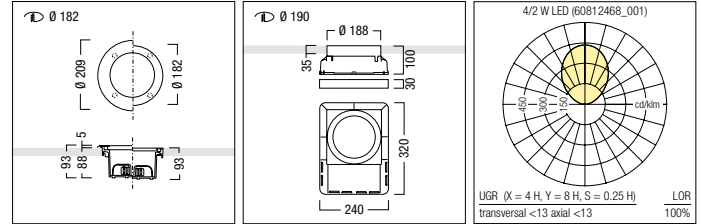
4/1,2 W LED daylight white	88/184	60 812 468
4/1,2 W LED warm white	88/184	60 812 467

Circular trim (flush), Soft LED 230 V

4/1,2 W LED daylight white	93/184	60 812 470
4/1,2 W LED warm white	93/184	60 812 469

Accessory

13.5 cable gland in special steel (V2A)		60 800 294
Concrete casting surround kit D190, H = 100 mm		60 800 340
D/Q190 installation kit for timber and cavity walls		60 800 191
D/Q190 mounting kit for downlight and wall-mounted position		60 800 293
D190 glass seal		60 800 276





[...] Shared properties PASO II 190

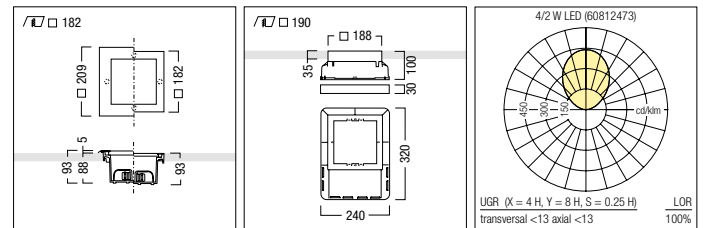
- Die-cast aluminium housing in powder-coated finish
- Colour: White
- Stainless steel trim with Camlock fasteners (no screws visible)
- Includes gasket to help prevent water penetrating between luminaire unit and casting surround
- Max. load: 1000 kg, can be walked over
- IP67 degree of protection, Class of protection I
- Mains voltage: 220–240 V / 50/60 Hz
- Installed in concrete floors or pavings using concrete casting surround kit
- Model with overlapping trim: installation kit required for fitting in wooden or cavity floors; please order separately
- Models with class "R10" anti-slip glass covers available upon request

**PASO II Q190 Soft LED square, recessed depth 100 mm**



- [...]
- Frosted protective cover with diffuser
- Power lead: 0.5 m (3-pole), with PG cable gland on housing
- Includes control gear
- Colour temperature (LED module): 3200 K (warm white) or 6650 K (daylight white)
- Power consumption: 4.8 W
- Surface temperature of glass panel 35 °C maximum
- Please always install with flexible cables e.g. H07RN-F
- External loop-in/loop-out of cable possible using IP67 universal box; please order separately
- Neutral-white colour temperature available on request

	EL/EB/ET	Order no.
<b>Square trim (overlapping), Soft LED 230 V</b>		
4/1,2 W LED daylight white	182/182/88	60 812 474
4/1,2 W LED warm white	182/182/88	60 812 473
<b>Square trim (flush), Soft LED 230 V</b>		
4/1,2 W LED daylight white	182/182/93	60 812 476
4/1,2 W LED warm white	182/182/93	60 812 475
<b>Accessory</b>		
13.5 cable gland in special steel (V2A)		60 800 294
Concrete casting surround kit Q190, H = 100 mm		60 800 341
D/Q190 installation kit for timber and cavity walls		60 800 191
D/Q190 mounting kit for downlight and wall-mounted position		60 800 293
Q190 glass seal		60 800 277

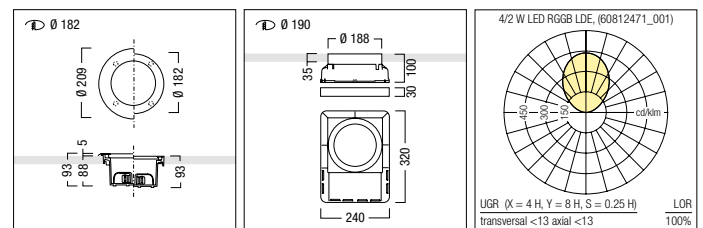


**PASO II D190 Soft LED RGB circular, recessed depth 100 mm**



- [...]
- Frosted protective cover with diffuser
- LED RGB module (red/green/green/blue)
- Power lead: 0.5 m (3-pole), with PG cable gland on housing
- Dali connected via connector fitted with PG cable gland
- Includes control gear, compatible with Dali dimmable only
- Power consumption: 8 W
- Surface temperature of glass panel 38 °C maximum
- Please always install with flexible cables e.g. H07RN-F
- External loop-in/loop-out of cable possible using IP67 universal box; please order separately
- DMX control upon request

	RD/R0	Order no.
<b>Circular trim (overlapping), Soft LED RGB 230 V</b>		
4/2 W LED RGB, dimmable Dali only	88/184	60 812 471
<b>Circular trim (flush), Soft LED RGB 230 V</b>		
4/2 W LED RGB, dimmable Dali only	93/184	60 812 472
<b>Accessory</b>		
13.5 cable gland in special steel (V2A)		60 800 294
Concrete casting surround kit D190, H = 100 mm		60 800 340
D/Q190 installation kit for timber and cavity walls		60 800 191
D/Q190 mounting kit for downlight and wall-mounted position		60 800 293
D190 glass seal		60 800 276



## PASO II D190/Q190

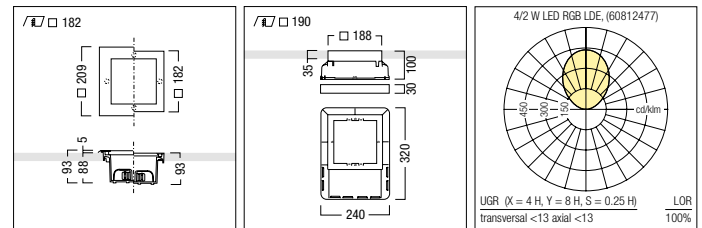
### PASO II Q190 Soft LED RGB square, recessed depth 100 mm

EL/EB/ET Order no.



- [...]
  - Frosted protective cover with diffuser
  - LED RGB module (red/green/green/blue)
  - Power lead: 0.5 m (3-pole), with PG cable gland on housing
  - Dali connected via connector fitted with PG cable gland
  - Includes control gear, compatible with Dali dimmable only
  - Power consumption: 8 W
  - Surface temperature of glass panel 38 °C maximum
  - Please always install with flexible cables e.g. H07RN-F
  - External loop-in/loop-out of cable possible using IP67 universal box; please order separately
  - DMX control upon request

Square trim (overlapping), Soft LED RGB 230 V		
4/2 W LED RGB, dimmable Dali only	182/182/88	60 812 477
Square trim (flush), Soft LED RGB 230 V		
4/2 W LED RGB, dimmable Dali only	182/182/93	60 812 478
Accessory		
13.5 cable gland in special steel (V2A)		60 800 294
Concrete casting surround kit Q190, H = 100 mm		60 800 341
D/Q190 installation kit for timber and cavity walls		60 800 191
D/Q190 mounting kit for downlight and wall-mounted position		60 800 293
Q190 glass seal		60 800 277



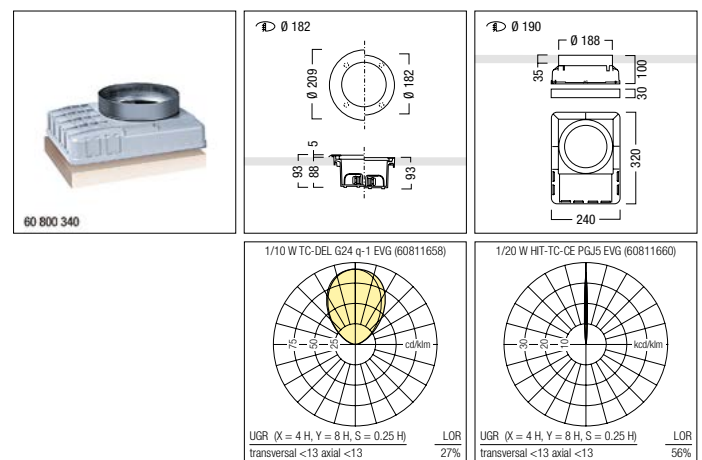
### PASO II D190 circular, recessed depth 100 mm

RD/R0 Order no.



- [...]
  - Partially frosted protective cover
  - Frosted protective cover with diffuser in models for TC-DEL compact fluorescent lamp
  - Power lead: 0.5 m (3-pole), with PG cable gland on housing
  - Includes control gear
  - Maximum surface temperature of glass panel: 88 °C for HIT; 60 °C for TC-DEL
  - One accessory unit can be fitted using filter holder
  - HIT: control gear housed in separate IP67 universal box, through-wiring possible
  - TC-DEL: through-wiring possible in combination with MINI IP67 universal box; please order separately

Circular trim (overlapping)			<i>electronic</i>
1/10 W TC-DEL G24 q-1 frosted protective cover	88/184	60 811 658	
1/20 W HIT-TC-CE PGJ5 protective cover, partly frosted	88/184	60 811 660	
Circular trim (flush)			<i>electronic</i>
1/10 W TC-DEL G24 q-1 frosted protective cover	93/184	60 811 659	
1/20 W HIT-TC-CE PGJ5 protective cover, partly frosted	93/184	60 811 661	
Accessory			
13.5 cable gland in special steel (V2A)		60 800 294	
blue interference colour filter		60 800 214	
Concrete casting surround kit D190, H = 100 mm		60 800 340	
D/Q190 installation kit for timber and cavity walls		60 800 191	
D/Q190 mounting kit for downlight and wall-mounted position		60 800 293	
D190 glass seal		60 800 276	
Filter holder D190, for a max. of 2 filters		60 800 195	
green interference colour filter		60 800 215	
IR blocking filter		60 800 231	
Radial louvre for 1/20 W HIT		60 800 433	
red interference colour filter		60 800 213	
yellow interference colour filter		60 800 216	



PASO II Q190 square, recessed depth 100 mm



- [...]
  - Partially frosted protective cover
  - Frosted protective cover with diffuser in models for TC-DEL compact fluorescent lamp
  - Power lead: 0.5 m (3-pole), with PG cable gland on housing
  - Includes control gear
  - Maximum surface temperature of glass panel: 88 °C for HIT; 60 °C for TC-DEL
  - One accessory unit can be fitted using filter holder
  - HIT: control gear housed in separate IP67 universal box, through-wiring possible
  - TC-DEL: through-wiring possible in combination with MINI IP67 universal box; please order separately

Square trim (overlapping)

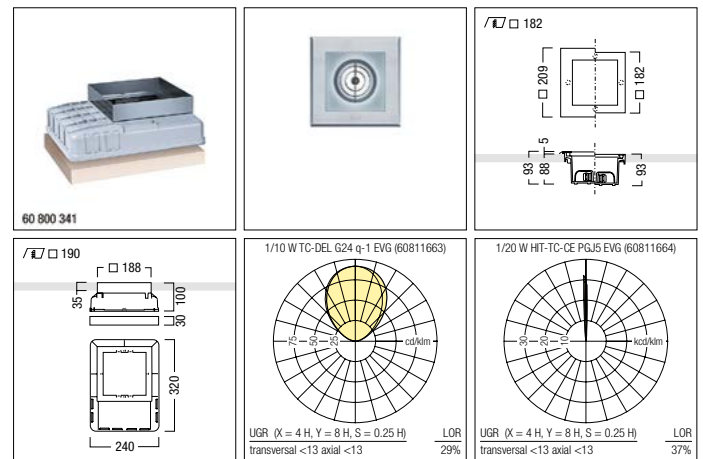
1/10 W TC-DEL G24 q-1 frosted protective cover	182/182/88	60 811 662
1/20 W HIT-TC-CE PGJ5 protective cover, partly frosted	182/182/88	60 811 664

Square trim (flush)

1/10 W TC-DEL G24 q-1 frosted protective cover	182/182/93	60 811 663
1/20 W HIT-TC-CE PGJ5 protective cover, partly frosted	182/182/93	60 811 665

Accessory

13.5 cable gland in special steel (V2A)		60 800 294
blue interference colour filter		60 800 218
Concrete casting surround kit Q190, H = 100 mm		60 800 341
D/Q190 installation kit for timber and cavity walls		60 800 191
D/Q190 mounting kit for downlight and wall-mounted position		60 800 293
Filter holder Q190, for a max. of 2 filters		60 800 196
green interference colour filter		60 800 219
IR blocking filter		60 800 232
Q190 glass seal		60 800 277
Radial louvre for 1/20 W HIT		60 800 433
red interference colour filter		60 800 217
yellow interference colour filter		60 800 220



PASO II D190 LED circular



- [...]
  - Accent spot with approx. 6° superspot beam pattern (Power-LEDs with lens optic)
  - Partially frosted protective cover
  - PG cable gland, through-wiring possible
  - Colour temperature: 3 200 K (LED832: warm white) or 6 000 K (LED860: daylight white)
  - Includes control gear
  - Connection: 3-pole terminal strip
  - Power-LED: ±15° tilt
  - Power consumption: 10 W
  - Surface temperature of glass panel 35 °C maximum
  - Please always install with flexible cables e.g. H07RN-F
  - Neutral-white colour temperature available on request

Circular trim (overlapping), PowerLED 230 V

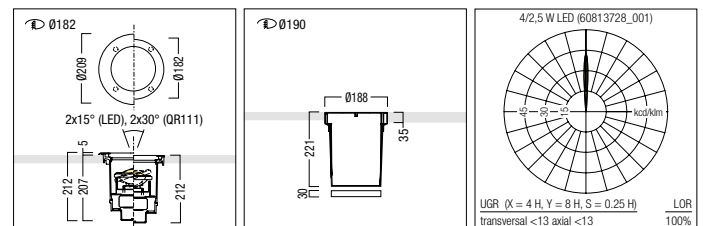
4/2,5 W LED daylight white, superspot	207/182	60 813 729
4/2,5 W LED warm white, superspot	207/182	60 813 728

Circular trim (flush), PowerLED 230 V

4/2,5 W LED daylight white, superspot	212/182	60 813 731
4/2,5 W LED warm white, superspot	212/182	60 813 730

Accessory

13.5 cable gland in special steel (V2A)		60 800 294
Concrete casting surround set D190, H= 221 mm		60 800 184
D/Q190 installation kit for timber and cavity walls		60 800 191
D/Q190 mounting kit for downlight and wall-mounted position		60 800 293
D190 glass seal		60 800 276



## PASO II D190/Q190

### PASO II Q190 LED square

EL/EB/ET Order no.



- |...|
- Accent spot with approx. 6° superspot beam pattern (Power-LEDs with lens optic)
- Partially frosted protective cover
- PG cable gland, through-wiring possible
- Colour temperature: 3200 K (LED832: warm white) or 6000 K (LED860: daylight white)
- Includes control gear
- Connection: 3-pole terminal strip
- Power-LED: ±15° tilt
- Power consumption: 10 W
- Surface temperature of glass panel 35 °C maximum
- Please always install with flexible cables e.g. H07RN-F
- Neutral-white colour temperature available on request

#### Square trim (overlapping), PowerLED 230 V

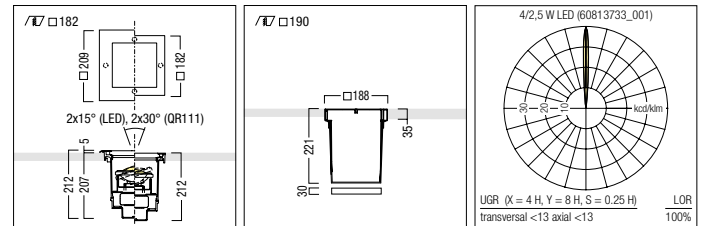
4/2,5 W LED daylight white, superspot	182/182/207	60 813 733
4/2,5 W LED warm white, superspot	182/182/207	60 813 732

#### Square trim (flush), PowerLED 230 V

4/2,5 W LED daylight white, superspot	182/182/212	60 813 735
4/2,5 W LED warm white, superspot	182/182/212	60 813 734

#### Accessory

13.5 cable gland in special steel (V2A)		60 800 294
Concrete casting surround set Q190, H= 221 mm		60 800 185
D/Q190 installation kit for timber and cavity walls		60 800 191
D/Q190 mounting kit for downlight and wall-mounted position		60 800 293
Q190 glass seal		60 800 277



### PASO II D190 LED RGB circular

RD/R0 Order no.



- |...|
- Accent spot with approx. 30° flood beam pattern (Power-LEDs with lens optic)
- Partially frosted protective cover
- Power-LED RGB module (red/green/green/blue): ±15° tilt
- PG cable gland
- Dali connected via connector fitted with PG cable gland
- Includes control gear, compatible with Dali dimmable only
- Connection: 3-pole terminal strip
- Power consumption: 8 W
- Surface temperature of glass panel 35 °C maximum
- Please always install with flexible cables e.g. H07RN-F
- External loop-in/loop-out of cable possible using IP67 universal box; please order separately
- DMX control upon request

#### Circular trim (overlapping), PowerLED RGB 230 V

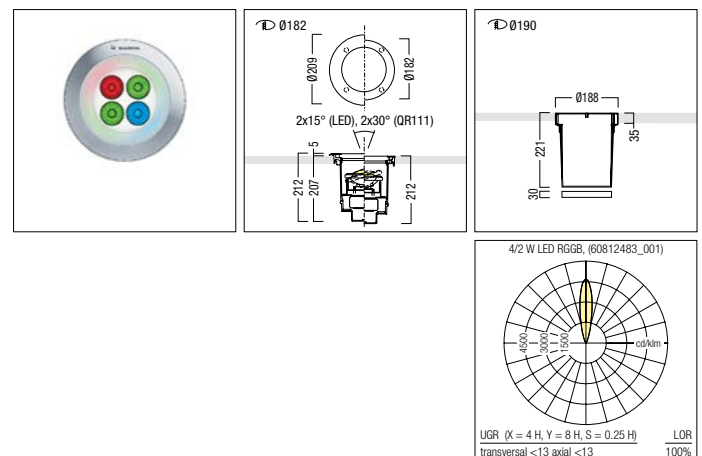
4/2 W LED RGB flood, dimmable Dali only	207/182	60 812 483
---	---------	------------

#### Circular trim (flush), PowerLED RGB 230 V

4/2 W LED RGB flood, dimmable Dali only	212/182	60 812 484
---	---------	------------

#### Accessory

13.5 cable gland in special steel (V2A)		60 800 294
Concrete casting surround set D190, H= 221 mm		60 800 184
D/Q190 installation kit for timber and cavity walls		60 800 191
D/Q190 mounting kit for downlight and wall-mounted position		60 800 293
D190 glass seal		60 800 276

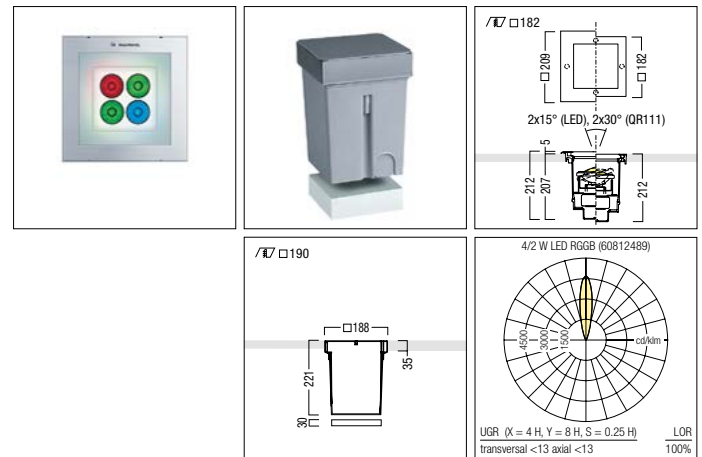


PASO II Q190 LED RGB square



- [...]
  - Accent spot with approx. 30° flood beam pattern (Power-LEDs with lens optic)
  - Partially frosted protective cover
  - Power-LED RGB module (red/green/green/blue): ±15° tilt
  - PG cable gland
  - DALI connected via connector fitted with PG cable gland
  - Includes control gear, compatible with DALI dimmable only
  - Connection: 3-pole terminal strip
  - Power consumption: 8 W
  - Surface temperature of glass panel 35 °C maximum
  - Please always install with flexible cables e.g. H07RN-F
  - External loop-in/loop-out of cable possible using IP67 universal box; please order separately
  - DMX control upon request

Square trim (overlapping), PowerLED RGB 230 V		
4/2 W LED RGB flood, dimmable DALI only	182/182/207	60 812 489
Square trim (flush), PowerLED RGB 230 V		
4/2 W LED RGB flood, dimmable DALI only	182/182/212	60 812 490
Accessory		
13.5 cable gland in special steel (V2A)		60 800 294
Concrete casting surround set Q190, H= 221 mm		60 800 185
D/Q190 installation kit for timber and cavity walls		60 800 191
D/Q190 mounting kit for downlight and wall-mounted position		60 800 293
Q190 glass seal		60 800 277

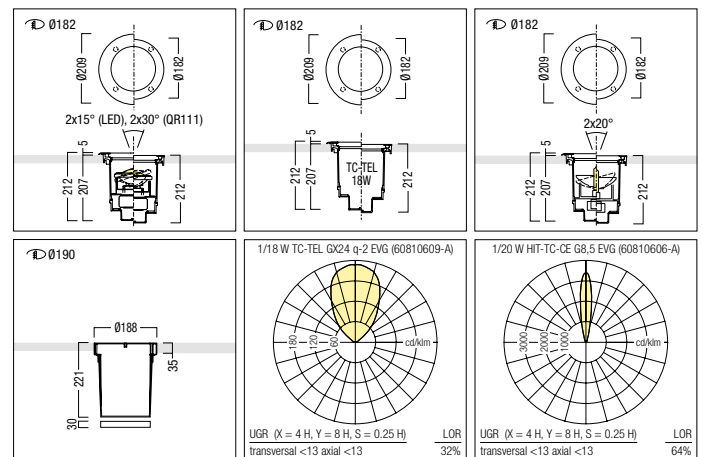


PASO II D190 circular



- [...]
  - Partially frosted protective cover
  - Frost protective cover with diffuser in models for TC-TEL compact fluorescent lamp
  - PG cable gland, through-wiring possible
  - Includes control gear
  - Connection: 3-pole terminal strip
  - QR 111 lamps: QR 111 IRC only, max. wattage 30 W (Philips MASTERLine 111 30 W G53 12 V 24D)
  - QR 111: ±30° tilt
  - HIT-TC-CE: ±20° tilt
  - Maximum surface temperature of glass panel: 82 °C for HIT; 99 °C for QR111; 74 °C for TC-TEL
  - Max. of 2 accessory parts installed using filter holder

Circular trim (overlapping)		
1/18 W TC-TEL GX24 q-2 frosted protective cover	207/182	60 810 609
1/20 W HIT-TC-CE G8,5 spot, partly frosted protective cover	207/182	60 810 605
1/30 W QR 111 IRC protective cover, partly frosted white powder-coated	207/182	60 812 439
Circular trim (flush)		
1/18 W TC-TEL GX24 q-2 frosted protective cover	212/182	60 810 610
1/20 W HIT-TC-CE G8,5 spot, partly frosted protective cover	212/182	60 810 606
1/30 W QR 111 IRC protective cover, partly frosted white powder-coated	212/182	60 812 440
Accessory		
13.5 cable gland in special steel (V2A)		60 800 294
blue interference colour filter		60 800 214
Concrete casting surround set D190, H= 221 mm		60 800 184
D/Q190 installation kit for timber and cavity walls		60 800 191
D/Q190 mounting kit for downlight and wall-mounted position		60 800 293
D190 glass seal		60 800 276
Filter holder D190, for a max. of 2 filters		60 800 195
green interference colour filter		60 800 215
Honeycomb mesh D190, black		60 800 201
IR blocking filter		60 800 231
red interference colour filter		60 800 213
yellow interference colour filter		60 800 216





- [...]
  - Partially frosted protective cover
  - Frost protective cover with diffuser in models for TC-TEL compact fluorescent lamp
  - PG cable gland, through-wiring possible
  - Includes control gear
  - Connection: 3-pole terminal strip
  - QR 111 lamps: QR 111 IRC only, max. wattage 30 W (Philips MASTERLine 111 30 W G53 12 V 24D)
  - QR 111:  $\pm 30^\circ$  tilt
  - HIT-TC-CE:  $\pm 20^\circ$  tilt
  - Maximum surface temperature of glass panel: 82 °C for HIT; 99 °C for QR111; 74 °C for TC-TEL
  - Max. of 2 accessory parts installed using filter holder

Square trim (overlapping)

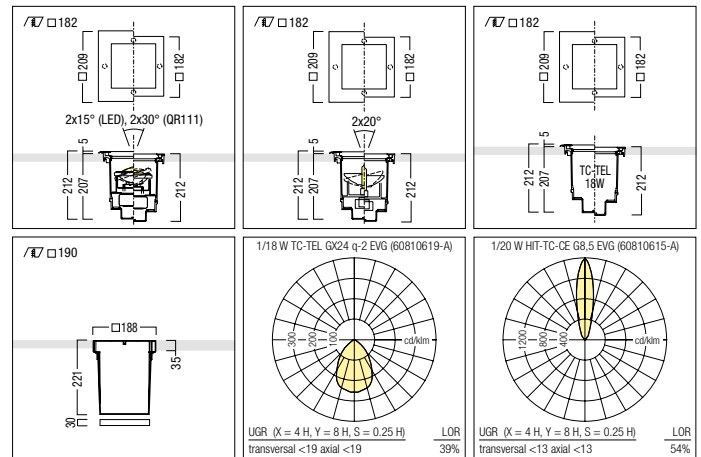
1/18 W TC-TEL GX24 q-2 frosted protective cover	182/182/207	60 810 619
1/20 W HIT-TC-CE G8,5 spot, partly frosted protective cover	182/182/207	60 810 615
1/30 W QR 111 IRC protec. cover, partly frosted white powder-coated	182/182/207	60 812 441

Square trim (flush)

1/18 W TC-TEL GX24 q-2 frosted protective cover	182/182/212	60 810 620
1/20 W HIT-TC-CE G8,5 spot, partly frosted protective cover	182/182/212	60 810 616
1/30 W QR 111 IRC protec.cover, partly frosted white powder-coated	182/182/212	60 812 442

Accessory

13.5 cable gland in special steel (V2A)	60 800 294
blue interference colour filter	60 800 218
Concrete casting surround set Q190, H= 221 mm	60 800 185
D/Q190 installation kit for timber and cavity walls	60 800 191
D/Q190 mounting kit for downlight and wall-mounted position	60 800 293
Filter holder Q190, for a max. of 2 filters	60 800 196
green interference colour filter	60 800 219
Honeycomb mesh Q190, black	60 800 202
IR blocking filter	60 800 232
Q190 glass seal	60 800 277
red interference colour filter	60 800 217
yellow interference colour filter	60 800 220



|...| Shared properties PASO II 260

- Die-cast aluminium housing in powder-coated finish
- Colour: White
- Stainless steel trim with Camlock fasteners (no screws visible)
- Includes gasket to help prevent water penetrating between luminaire unit and casting surround
- Max. load: 1000 kg, can be walked over
- IP67 degree of protection, Class of protection I
- Installed in concrete floors or pavings using concrete casting surround kit
- Model with overlapping trim: installation kit required for fitting in wooden or cavity floors; please order separately
- Models with class "R10" anti-slip glass covers available upon request

**PASO II D260 circular, recessed depth 100 mm**



- |...|
- Partially frosted protective cover
- Frosted protective cover with diffuser in models for TC-DEL compact fluorescent lamp
- Power lead: 0.5 m (3-pole), with PG cable gland on housing
- Includes control gear
- Mains voltage: 230–240 V / 50/60 Hz
- Maximum surface temperature of glass panel: 87 °C for HIT 35 W; 62 °C for TC-DEL/ HIT 20 W
- Please always install with flexible cables e.g. H07RN-F
- One accessory unit can be fitted using filter holder
- External loop-in/loop-out of cable possible using IP67 universal box; please order separately
- TC-DEL: cannot be fitted with honeycomb louvre

**Circular trim (overlapping)**

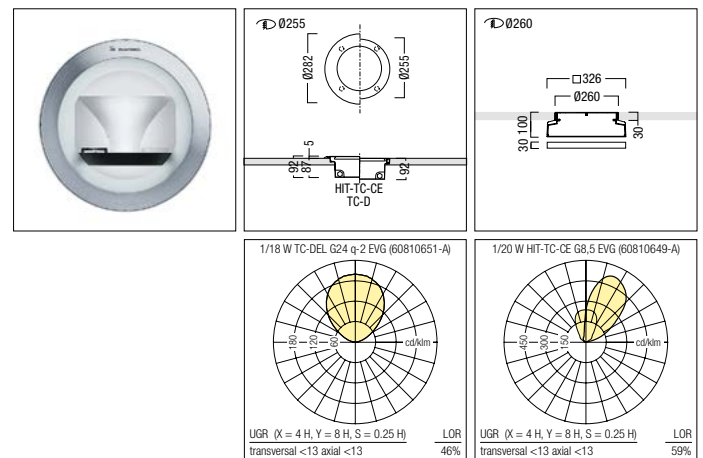
	RD/R0	Order no.
1/18 W TC-DEL G24 q-2 frosted protective cover	87/255	60 810 651
1/20 W HIT-TC-CE G8,5 asymmetric, partially frosted glass cover	87/255	60 810 649
1/35 W HIT-TC-CE G8,5 asymmetric, partially frosted glass cover	87/255	60 812 451

**Circular trim (flush)**

	RD/R0	Order no.
1/18 W TC-DEL G24 q-2 frosted protective cover	92/255	60 810 652
1/20 W HIT-TC-CE G8,5 asymmetric, partially frosted glass cover	92/255	60 810 650
1/35 W HIT-TC-CE G8,5 asymmetric, partially frosted glass cover	92/255	60 812 452

**Accessory**

13.5 cable gland in special steel (V2A)	60 800 294
blue interference colour filter	60 800 222
Concrete casting surround set D260, H= 100 mm	60 800 188
D/Q260 installation kit for wooden and cavity floors	60 800 192
D/Q260 mounting kit for downlight and wall-mounted position	60 800 305
D260 glass seal	60 800 278
Filter holder D260, for 1 filter	60 800 236
green interference colour filter	60 800 223
IR blocking filter	60 800 233
red interference colour filter	60 800 221
yellow interference colour filter	60 800 224



## PASO II D260/Q260

### PASO II Q260 square, recessed depth 100 mm



- [...]
  - Partially frosted protective cover
  - Frosted protective cover with diffuser in models for TC-DEL compact fluorescent lamp
  - Power lead: 0.5 m (3-pole), with PG cable gland on housing
  - Includes control gear
  - Mains voltage: 230–240 V / 50/60 Hz
  - Maximum surface temperature of glass panel: 87 °C for HIT 35 W; 62 °C for TC-DEL/ HIT 20 W
  - One accessory unit can be fitted using filter holder
  - External loop-in/loop-out of cable possible using IP67 universal box; please order separately
  - TC-DEL: cannot be fitted with honeycomb louvre

#### Square trim (overlapping)

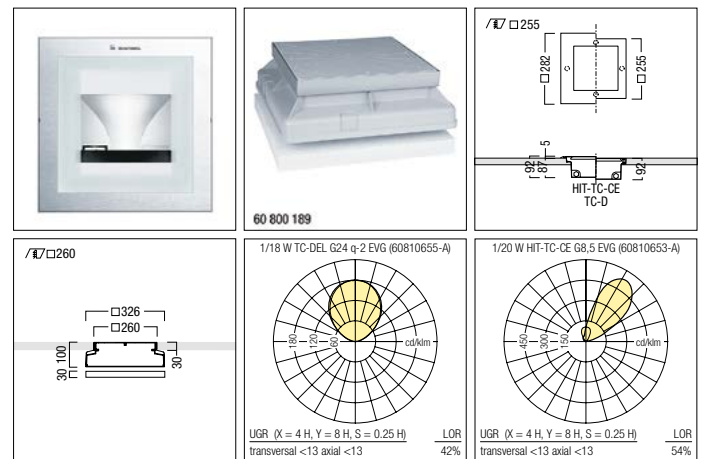
Trim	Part No.	Order no.
1/18 W TC-DEL G24 q-2 frosted protective cover	255/255/87	60 810 655
1/20 W HIT-TC-CE G8,5 asymmetric, partially frosted glass cover	255/255/87	60 810 653
1/35 W HIT-TC-CE G8,5 asymmetric, partially frosted glass cover	255/255/87	60 812 453

#### Square trim (flush)

Trim	Part No.	Order no.
1/18 W TC-DEL G24 q-2 frosted protective cover	255/255/92	60 810 656
1/20 W HIT-TC-CE G8,5 asymmetric, partially frosted glass cover	255/255/92	60 810 654
1/35 W HIT-TC-CE G8,5 asymmetric, partially frosted glass cover	255/255/92	60 812 454

#### Accessory

13.5 cable gland in special steel (V2A)	60 800 294
blue interference colour filter	60 800 226
Concrete casting surround set Q260, H = 100 mm	60 800 189
D/Q260 installation kit for wooden and cavity floors	60 800 192
D/Q260 mounting kit for downlight and wall-mounted position	60 800 305
Filter holder Q260, for 1 filter	60 800 237
green interference colour filter	60 800 227
IR blocking filter	60 800 234
Q260 glass seal	60 800 279
red interference colour filter	60 800 225
yellow interference colour filter	60 800 228



### PASO II D260 LED circular



- [...]
  - Accent spot with approx. 6° superspot beam pattern (Power-LEDs with lens optic)
  - Partially frosted protective cover
  - PG cable gland, through-wiring possible
  - Colour temperature: 3200 K (LED832: warm white) or 6000 K (LED860: daylight white)
  - Includes control gear
  - Connection: 3-pole terminal strip
  - Power-LED: ±15° tilt
  - Power consumption: 17.5 W
  - Mains voltage: 220–240 V / 50/60 Hz
  - Surface temperature of glass panel 40 °C maximum
  - Please always install with flexible cables e.g. H07RN-F
  - Neutral-white colour temperature available on request
  - Square versions available on request

#### Circular trim (overlapping), PowerLED 230 V

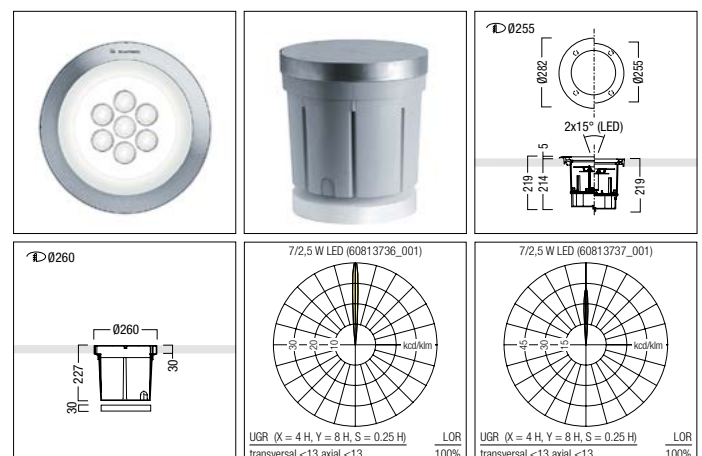
7/2,5 W LED daylight white, superspot	214/255	60 813 737
7/2,5 W LED warm white, superspot	214/255	60 813 736

#### Circular trim (flush), PowerLED 230 V

7/2,5 W LED daylight white, superspot	219/255	60 813 739
7/2,5 W LED warm white, superspot	219/255	60 813 738

#### Accessory

13.5 cable gland in special steel (V2A)	60 800 294
Concrete casting surround set D260, H= 227 mm	60 800 186
D/Q260 installation kit for wooden and cavity floors	60 800 192
D/Q260 mounting kit for downlight and wall-mounted position	60 800 305
D260 glass seal	60 800 278





PASO II D260 LED RGB circular

RD/R0 Order no.



- [...]
  - Accent spot with approx. 30° flood beam pattern (Power-LEDs with lens optic)
  - Partially frosted protective cover
  - PG cable gland
  - Dali connected via connector fitted with PG cable gland
  - Includes control gear, compatible with Dali dimmable only
  - Connection: 3-pole terminal strip
  - Power-LED RGB module (2 x red / 3 x green / 2 x blue): ±15° tilt
  - Power consumption: 14 W
  - Mains voltage: 220–240 V / 50/60 Hz
  - Surface temperature of glass panel 38 °C maximum
  - Please always install with flexible cables e.g. H07RN-F
  - External loop-in/loop-out of cable possible using IP67 universal box; please order separately
  - DMX control upon request
  - Square versions available on request

Circular trim (overlapping), PowerLED RGB 230 V

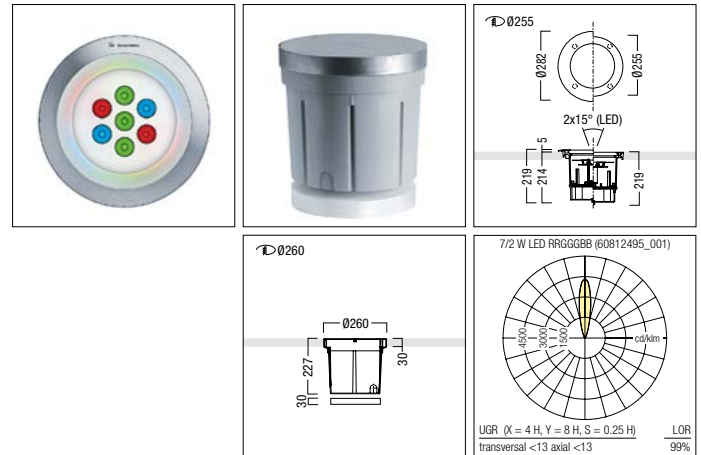
7/2 W LED RGB flood, DALI dimmable 214/255 60 812 495

Circular trim (flush), PowerLED RGB 230 V

7/2 W LED RGB flood, DALI dimmable 219/255 60 812 496

Accessory

13.5 cable gland in special steel (V2A)	60 800 294
Concrete casting surround set D260, H= 227 mm	60 800 186
D/Q260 installation kit for wooden and cavity floors	60 800 192
D/Q260 mounting kit for downlight and wall-mounted position	60 800 305
D260 glass seal	60 800 278



PASO II D260 circular

RD/R0 Order no.



- [...]
  - Frost protective cover with diffuser in models for TC-TEL compact fluorescent lamp
  - PG cable gland, through-wiring possible
  - Includes control gear
  - Connection: 3-pole terminal strip
  - Mains voltage: 230–240 V / 50/60 Hz
  - Please always install with flexible cables e.g. H07RN-F
  - Max. of 2 accessory parts installed using filter holder
  - Square versions available on request

Circular trim (overlapping)

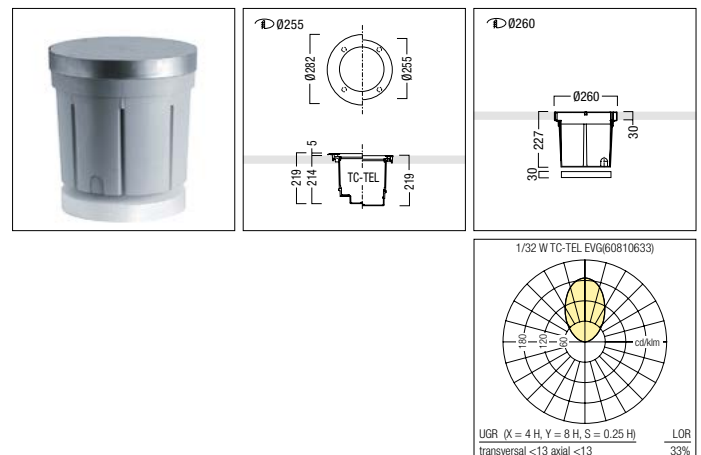
1/26 W, 1/32 W TC-TEL GX24 q-3 frosted protective cover 214/255 60 810 633

Circular trim (flush)

1/26 W, 1/32 W TC-TEL GX24 q-3 frosted protective cover 219/255 60 810 634

Accessory

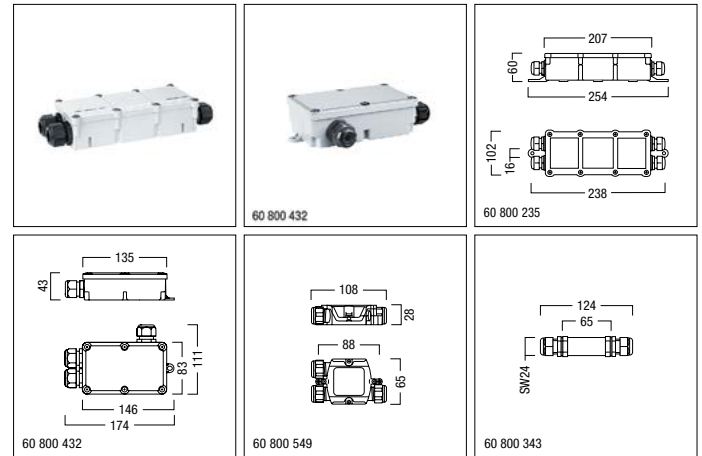
13.5 cable gland in special steel (V2A)	60 800 294
blue interference colour filter	60 800 222
Concrete casting surround set D260, H= 227 mm	60 800 186
D/Q260 installation kit for wooden and cavity floors	60 800 192
D/Q260 mounting kit for downlight and wall-mounted position	60 800 305
D260 glass seal	60 800 278
Filter holder D260, for a max. of 2 filters	60 800 197
green interference colour filter	60 800 223
HIT-CE anti-glare plate	60 800 612
IR blocking filter	60 800 233
red interference colour filter	60 800 221
yellow interference colour filter	60 800 224



- IP67 multipurpose box (60 800 235): designed for connecting up to 4 suitable cables; can be used to accommodate control gear or for loop-in/loop-out of mains power lines or bus lines.
- IP67 MINI multipurpose box (60 800 432): enables connection of up to 3 suitable cables (H07RN-F, etc.); for loop-on/loop-out of mains cables outside luminaire unit
- IP67 cable connector (60 800 175): 4-pole, max. 1,5 mm<sup>2</sup>; cable ends are fed through gland (providing seal) into cable connecting terminal; cables can be disconnected, e.g. when replacing LED circuit boards modules
- IP67 cable connector (60 800 343): 3-pole, 4 mm<sup>2</sup>; cable ends are fed through gland into screw terminals; cables can be disconnected if needed
- Cable entry via 4 SW32 (M25) cable glands for cable Ø 6.4–16 mm; includes 2 cable-gland plugs; 6-pole connecting terminal, max. conductor cross-section 4 x 2.5 mm<sup>2</sup>
- Three SW25 PG cable glands for cables Ø 4.3–11.9 mm; 4-pole connecting terminal, max. conductor cross-section 2.5 mm<sup>2</sup>
- Cable connector for 3 cables, IP67 (60 800 549): 3-pole, 1.5 mm<sup>2</sup>, IP67; allows up to 3 cables to be connected plus connecting terminal; can also be used for cable loop-in/loop-out

Accessory

3-way IP67 cable connector, 3 x 1.5 mm <sup>2</sup>	60 800 549
IP67 cable connector, 3 x 4.0 mm <sup>2</sup>	60 800 343
IP67 cable connector, 4 x 1.5 mm <sup>2</sup>	60 800 175
IP67 multi-purpose box for transformer or through-wiring IP67	60 800 235
MINI IP67 multi-purpose box for transformer or through-wiring	60 800 432



|...| Shared properties ORILED

Please contact your advice centre for guidance on conversion to emergency lighting systems; also see the ONLITE emergency lighting

- Housing made of die-cast aluminium
- Colour: titanium, microtextured paint
- Stainless steel trim with Camlock fasteners (no screws visible)
- Impact-resistant safety glass (6 Joules) with silkscreen printing
- Specially design lens optic with free-form reflector for directing light onto the floor
- With built-in 2/1 W Power-LED board unit
- With PG cable gland(s)
- Emergency lighting versions including self-contained battery system
- Colour temperature: 3000 K (LED930: warm white) or 6000 K (LED760: daylight white)
- Colour rendering index: Ra 90 (LED930) or Ra 70 (LED760)
- Luminaire luminous flux: > 51 lm
- Luminaire efficiency: >31 lm/W
- Protection class I: 230 V version, including control gear
- Protection class III: 350 mA model, with 0.35 m connecting cable
- Emergency lighting versions with built-in signal LED
- 350 mA version is compatible with emergency lighting system, with signal LED for self-contained system
- Please note: decorative version does not meet EN 1838 illuminance levels
- Other light colours on request

ORILED (flush)



- |...|
- Can be installed in cavity walls of thickness s= 12.5 mm
- Can be installed in cavity walls or concrete using accessories specified

	kg	Order no.
<b>Protection type IP65</b>		
2/1 W LED760, 120–240 V AC/DC, flush	1,2	60 814 305
2/1 W LED760, 350 mA, flush	0,7	60 814 303
<b>Protection type IP65 (emergency lighting)</b>		
2/1 W LED760, 230 V AC, local self/ check 1h, flush	1,4	60 814 306
2/1 W LED760, 230 V AC, local self/ check 3h, flush	1,4	60 814 307
2/1 W LED760, 350 mA suitable for emergency lighting, flush	0,7	60 814 304
<b>IP65 degree of protection - decorative</b>		
2/1 W LED930, 120–240 V AC/DC, flush	1,2	60 814 309
2/1 W LED930, 350 mA, flush	0,7	60 814 308
<b>Accessory</b>		
Concrete casting surround for flush-mounted luminaires		60 811 820
Installation kit for wooden and cavity walls, for flush-mounted luminaires		60 811 821



60 814 303, 2/1 W LED760, (ST6283\_N)

UGR (X = 4 H, Y = 8 H, S = 0.25 H)  
transversal >28 axial >28

LOR 100%

350 mA

230 V

60 811 820

60 811 821

**ORILED**

**ORILED (overlapping)**



- [...]
  - Can be installed in concrete using accessories specified (concrete casting surround)
  - Please note: for cavity-wall installation of overlapping version, no installation kit is required

	kg	Order no.
<b>Protection type IP65</b>		
2/1 W LED760, 120–240 V AC/DC, overlapping	1,3	60 814 298
2/1 W LED760, 350 mA, overlapping $\diamond$	0,7	60 814 296
<b>Protection type IP65 (emergency lighting)</b>		
2/1 W LED760, 230 V AC, local self / check 1h, overlapping	1,5	60 814 299
2/1 W LED760, 230 V AC, local self / check 3h, overlapping	1,5	60 814 300
2/1 W LED760, 350 mA suitable for emergency lighting, overlapping $\diamond$	0,7	60 814 297
<b>IP65 degree of protection - decorative</b>		
2/1 W LED930, 120–240 V AC/DC, overlapping	1,3	60 814 302
2/1 W LED930, 350 mA, overlapping $\diamond$	0,7	60 814 301
<b>Accessory</b>		
Concrete casting surround for overlapping luminaires		60 811 819



**Bollard / surface-mounted housing**



- Aluminium housing
- Colour: titanium, microtextured paint
- IP43 - can be used outdoors if fitted with IP65 luminaires
- Please note: only for luminaires with overlapping flange and without built-in control gear
- Special heights available on request

	Order no.
<b>Bollard</b>	
Bollard 230 V AC / 220 V DC 350 mA	60 811 815
<b>Surface-mounted housing</b>	
230 V AC / 220 V DC 350 mA surface-mount housing	60 811 818
60 811 815 / 60 811 818: control gear included.	

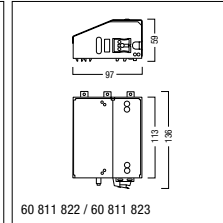
- Electronic control gear for 350 mA luminaires
- Emergency lighting control gear including self-contained battery system
- Through-wiring is possible
- 60 010 004: for up to 5 luminaires connected in series
- Not suitable for installation outdoors or in rooms with high levels of humidity

**Electronic control gear**

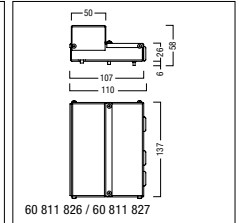
LED power pack 17 W, 350 mA, 220–240 V	60 010 004
LED power pack 8 W, 350 mA, 230 V AC / 220 V DC	60 811 822

**Electronic power packs for emergency lighting**

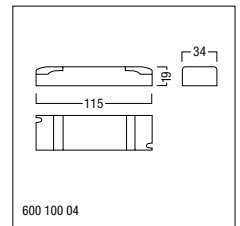
LED power pack 230 V AC, 350 mA (local self/ check), with emergency lighting 1h local battery system	60 811 826
LED power pack 230 V AC, 350 mA (local self/ check), with emergency lighting 3h local battery system	60 811 827



60 811 822 / 60 811 823



60 811 826 / 60 811 827



600 100 04



## HILIO LED light line Monocolor

|...| Shared properties HILIO monocolor

- LED surface-mount light line for direct, decorative or linear lighting, for indoor and outdoor use
- Available as luminaire with loop-in/loop-out wiring for series connection (IO) or as an individual luminaire (IN) for a line termination
- Luminaire can be switched or can be dimmed under PWM control
- LEDs with light colour 3000 K, 4000 K, 5000 K, red, green or blue
- Luminaire pre-wired with IP65 plug connectors
- Built-in overtemperature protection
- Ambient operating temperature: -20 °C ... +40 °C
- Ambient temperature in switched-off state: -20 °C ... +70 °C
- LED service life: 60000 h for a reduction in luminous flux to 70 % of original level
- IP65 degree of protection for indoor and outdoor use; installation instructions (cable feed-through and separations) must be followed for outdoor applications
- Radial or axial connection to space-saving combi-cable carrying 24 V supply and data
- Module lengths 2100 mm or 1200 mm (lengths optionally available in multiples of 300 mm)
- Luminaire includes protection against polarity reversal
- Halogen-free wiring used in luminaire
- 24 V converter for operating luminaires at a distance of up to 12.6 m, please order separately
- Power lead and IP65 socket/plug available as accessories

## HILIO CL LED light line clear Monocolor

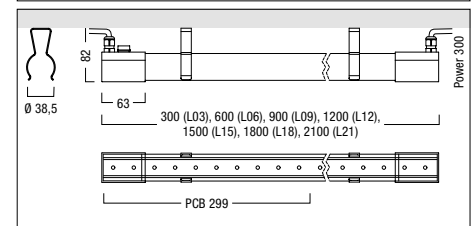
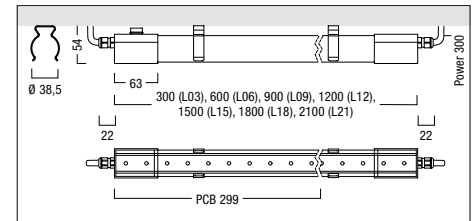
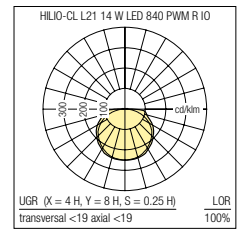


- |...|
- Clear, slender PMMA plastic profile with Ø 38 mm for indirect decorative lighting

Light line LED Ø 38 mm with loop-in/loop-out wiring

	kg	Order no.
L03 4 W LED 840 PWM R IO	0,3	42 182 534
L06 7 W LED 840 PWM R IO	0,5	42 182 535
L09 10 W LED 840 PWM R IO	0,6	42 182 536
L12 13 W LED 840 PWM R IO	0,8	42 182 537
L15 16 W LED 840 PWM R IO	1,1	42 182 538
L18 19 W LED 840 PWM R IO	1,2	42 182 539
L21 22 W LED 840 PWM R IO	1,4	42 182 533

Mounting bracket for surface-mounting included with order.



HILIO O LED light line opal Monocolor

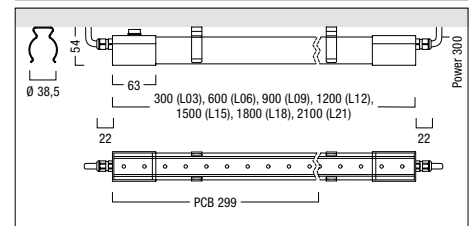
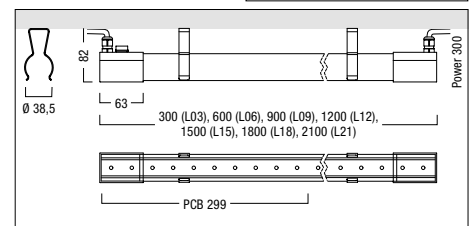
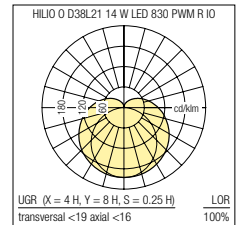


- [...]
  - Opal slimline PMMA plastic section, Ø 38 mm, with PMMA end caps for indoor and outdoor use in high degree of protection

Light line LED Ø 38 mm with loop-in/loop-out wiring

	kg	Order no.
L03 4 W LED 840 PWM R IO	0,3	42 182 547
L06 7 W LED 840 PWM R IO	0,5	42 182 548
L09 10 W LED 840 PWM R IO	0,6	42 182 549
L12 13 W LED 840 PWM R IO	0,8	42 182 550
L15 16 W LED 840 PWM R IO	1,1	42 182 551
L18 19 W LED 840 PWM R IO	1,2	42 182 552
L21 22 W LED 840 PWM R IO	1,4	42 182 553

Mounting bracket for surface-mounting included with order.



HILIO accessories Monocolor

- 24 V power supply in switched or dimmable version
- 4 m connecting cable with female connector
- 4 m extension cable with female/male connector
- Socket and plug/socket set

Power supply

ANSCHL SET PWM IP65 150 W	22 166 922
CONV 150 W 230/24 V	22 166 927

Supply lead

CABLE 4m + WIB 3 POL	22 166 923
----------------------	------------

Extension cable

CABLE 4m + WIB 3 POL + WIS 3 POL	22 166 924
----------------------------------	------------

Socket and plug/socket set

WIB 3 POL	22 166 925
WIB WIS 3 POL SET	22 166 926
WIS 3POL END IP66	22 168 715



## HILIO LED light line RGB

|...| Shared properties HILIO RGB

- LED surface-mount light line for direct, decorative or linear lighting, for indoor and outdoor use
- Available as through-wired luminaire for series connection (IO) or as single luminaire (IN) for a line termination including built-in termination resistor
- RGB LEDs with 30 mm pixel pitch; when radial cable connector is used, the pixel pitch is maintained in a cascaded luminaire arrangement
- Integral over-temperature protection dims luminaire smoothly when temperature above 40 °C
- Ambient operating temperature: -20 °C ... +40 °C
- Ambient temperature in switched-off state: -20 °C ... +70 °C
- LED service life: 40 000 h for a reduction in luminous flux to 70 % of original level
- Luminaire pre-wired with IP65 plug connectors
- IP65 degree of protection for indoor and outdoor use; installation instructions (cable feed-through and separations) must be followed for outdoor applications
- Radial or axial connection to space-saving combi-cable carrying 24 V supply and data
- Module lengths 2 100 mm or 1 200 mm (lengths optionally available in multiples of 300 mm)
- Luminaire pre-wired using halogen-free leads
- Connection kit for operating up to 12.6 m luminaires and connecting the data lead, please order separately
- Power and extension lead available as accessory
- DMX addressing performed using addressing tool (ASTO USB and ASTO set)

## HILIO CL LED light line clear RGB



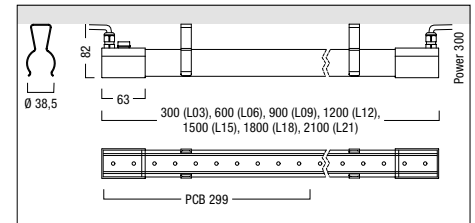
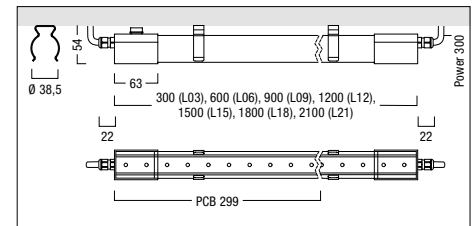
- |...|
- Clear, slender PMMA plastic profile with Ø 38 mm for indirect decorative lighting

Light line LED Ø 38 mm with loop-in/loop-out wiring

	kg	Order no.
L03 4 W LED RGB DMX-F R IO	0,3	42 182 526
L06 7 W LED RGB DMX-F R IO	0,5	42 182 527
L09 10 W LED RGB DMX-F R IO	0,6	42 182 528
L12 13 W LED RGB DMX-F R IO	0,8	42 182 529
L15 16 W LED RGB DMX-F R IO	1,0	42 182 530
L18 19 W LED RGB DMX-F R IO	1,1	42 182 531
L21 22 W LED RGB DMX-F R IO	1,3	42 182 532

Mounting bracket for surface-mounting included with order.

IP65  halogen  650 °C  incl. LED 





HILIO O LED light line, opal RGB

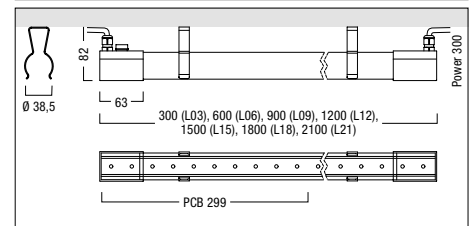
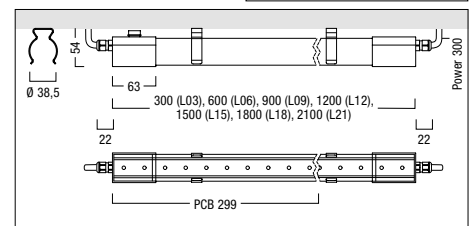
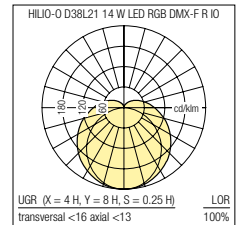


- [...]
  - Opal slimline PMMA plastic section, Ø 38 mm, with PMMA end caps for indoor and outdoor use in high degree of protection

Light line LED Ø 38 mm with loop-in/loop-out wiring

	kg	Order no.
L03 4 W LED RGB DMX-F R IO	0,3	42 182 540
L06 7 W LED RGB DMX-F R IO	0,5	42 182 541
L09 10 W LED RGB DMX-F R IO	0,6	42 182 542
L12 13 W LED RGB DMX-F R IO	0,8	42 182 543
L15 16 W LED RGB DMX-F R IO	1,0	42 182 544
L18 19 W LED RGB DMX-F R IO	1,1	42 182 545
L21 22 W LED RGB DMX-F R IO	1,3	42 182 546

Mounting bracket for surface-mounting included with order.



HILIO accessories RGB

- 24 V power supply with DMX input and 24 V+ DMX-combined output (DMX CONNECTION KIT)
- Extension cable with socket/plug (COB/COS), 4 m
- 4 m connecting cable with female connector (COB)
- Addressing tool (ASTO) and power supply (ASTO SET) for DMX addressing
- DMX data splitter

Supply lead

CABLE 4 m + COB 5POL	22 166 274
----------------------	------------

Extension cable

CABLE 4 m + COB 5POL + COS 5POL	22 166 273
---------------------------------	------------

Power supply

ANSCHL SET DMX 150 W IP65	22 166 276
---------------------------	------------

Accessory

ASTO DMX VC USB	22 162 367
ASTO SET	22 166 277
COS 5POL DMX END	22 169 262
SPLITTER DMX VC	22 166 267



## CAPIX

### CAPIX evolution



- LED pixels for decorative media illumination indoors and outdoors
- For use in various types of façades such as aluminium profiles, plates, with screws etc.; adapted individually to the project
- Light colour: RGB for colour variation (3 RGB LEDs)
- Pixel-accurate addressing
- Pixel distance possible between 10 cm and 30 cm
- Up to 50 pixels per line (depends on cable lengths and pixel separation)
- DMX control for variable colour changes and displaying images and text
- Video control if higher bit rates are required
- 3 RGB LEDs per pixel give a luminaire luminous flux of up to 20 lm
- Exclusive dual guide system for simple, error-free installation
- Control via CAPIX evolution controller, please order separately
- Protection type IP68
- LED service life: 50 000 h at 70 % luminous flux
- Permissible ambient temperature: -30 °C ... +60 °C
- Ambient temperature in switched-off state: -30 °C ... +70 °C
- Built-in overtemperature protection
- More detailed information or customer-specific CAPIX evolution facade solution on request

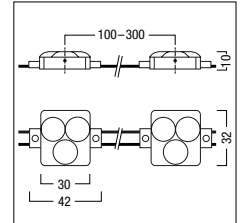
#### LED pixel

	L/W/H	kg	Order no.
CAPIX EVO 1W RGB DMX INFO	30/32/10		22 169 171

#### LED chain

CAPIX EVO CHAIN-50P RGB 12 V 100 mm pixel distance		0,9	28 001 179
CAPIX EVO CHAIN-50P RGB 12 V 200 mm pixel distance		0,9	28 001 180
CAPIX EVO CHAIN-50P RGB 12 V 300 mm pixel distance		0,9	28 001 062

incl. LED



### Control Components



- Control device for control of RGB LED pixels
- Control protocol: DMX/ RDM
- Overload protection
- Control device with up to 3 connections for CAPIX evolution chains, max. 50 RGB pixels per output
- Ambient operating temperature: -25 °C ... +50 °C

#### Converters

CAPIX EVO CONTR/CONV 150 W IP20		0,1	28 001 190
CAPIX EVO CONTR/CONV BOX 150 W IP65		0,1	28 001 191

#### Accessory

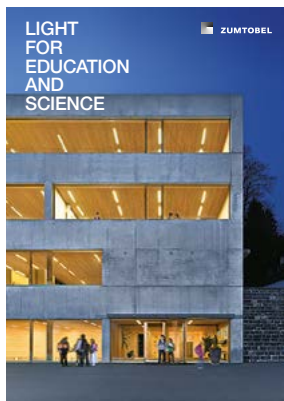
CAPIX EVO REPLACEMENT SET			28 110 092
---------------------------	--	--	------------







zumtobel.com/office



zumtobel.com/education



zumtobel.com/shop



zumtobel.com/hotel



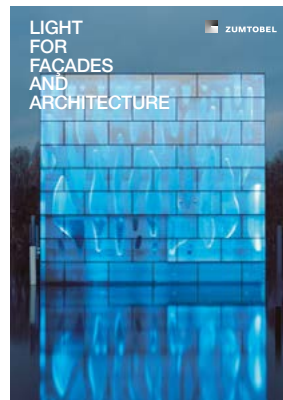
zumtobel.com/culture



zumtobel.com/healthcare



zumtobel.com/industry



zumtobel.com/facade

**Zumtobel, a company of the Zumtobel Group, is an internationally leading supplier of integral lighting solutions for professional indoor and outdoor building lighting applications.**

- Offices and Communication
- Education and Science
- Presentation and Retail
- Hotel and Wellness
- Art and Culture
- Health and Care
- Industry and Engineering
- Façades and Architecture

We provide unique customer benefits by integrating technology, design, emotion and energy efficiency. Under the Humanergy Balance concept, we combine the best possible ergonomic lighting quality for an individual's well-being with the responsible use of energy resources. The company's own sales organisations in twenty countries, as well as commercial agencies in fifty other countries, form an international network of experts and design partners providing professional lighting consulting, design assistance and comprehensive services.

**Lighting and sustainability**

In line with our corporate philosophy *"We want to use light to create worlds of experience, make work easier and improve communications and safety while remaining fully aware of our responsibility to the environment"*, Zumtobel offers energy-efficient high-quality products, while at the same time making sure that our production processes based on the considerate use of resources are environmentally compatible.

[zumtobel.com/sustainability](http://zumtobel.com/sustainability)



**Top quality – with a five-year guarantee.**  
As a globally leading luminaire manufacturer, Zumtobel provides a five year manufacturer's guarantee on all Zumtobel branded products in accordance with the terms of guarantee at [zumtobel.com/guarantee](http://zumtobel.com/guarantee).

Order no. 04 924 301-EN 06/15 © Zumtobel Lighting GmbH  
Technical data was correct at time of going to press.  
We reserve the right to make technical changes without notice. Please contact your local sales office for further information. For the sake of the environment: Luxo Light is chlorine-free paper from sustainably managed forests and certified sources.





Tracks and spots



Modular lighting systems



Downlights



Recessed luminaires



Surface-mounted and pendant luminaires



Free-standing and wall-mounted luminaires



Continuous-row systems and individual batten luminaires



High-bay luminaires and floodlight reflector systems



Luminaires with extra protection



Façade, media and outdoor luminaires



Lighting management systems



Emergency lighting



Medical supply systems

### United Kingdom

Zumtobel Lighting Ltd.  
Chiltern Park  
Chiltern Hill, Chalfont St. Peter  
Buckinghamshire SL9 9FG  
T +44/(0)1388 420042  
lightcentreuk@zumtobelgroup.com  
zumtobel.co.uk

### USA and Canada

Zumtobel Lighting Inc.  
3300 Route 9W  
Highland, NY 12528  
T +1/(0)845/691 6262  
F +1/(0)845/691 6289  
zli.us@zumtobel.com  
zumtobel.us

### Australia and New Zealand

Zumtobel Lighting Pty Ltd  
333 Pacific Highway  
North Sydney, NSW 2060  
T +61/(2)8913 5000  
F +61/(2)8913 5001  
info@zumtobel.com.au  
zumtobel.com.au

### China

Zumtobel Lighting China  
Shanghai office  
Room 101,  
No 192 YIHONG Technology Park  
Tianlin Road, Xuhui District  
Shanghai City, 200233, P.R. China  
T +86/(21) 6375 6262  
F +86/(21) 6375 6285  
sales.cn@zumtobel.com  
zumtobel.cn

### Hong Kong

Zumtobel Lighting Hong Kong  
Unit 4301, Level 43,  
Tower 1, Metroplaza,  
223 Hing Fong Road,  
Kwai Chung, N.T.  
T +852/2578 4303  
F +852/2887 0247  
info.hk@zumtobel.com

### India

Zumtobel Lighting GmbH  
Vipul Trade Centre, 406, 4th Floor  
Sohna Road, Sector 48,  
Gurgaon 122002, Haryana, India  
T +91/124 4206885 6886  
info.in@zumtobel.com

### Singapore

Zumtobel Lighting Singapore  
158 Kallang Way # 06-01/02  
Singapore 349245  
T +65 6844 5800  
F +65 6745 7707  
info.sg@zumtobel.com

### United Arab Emirates

Zumtobel Lighting GmbH  
4B Street, Al Quoz Industrial Area  
Dubai, United Arab Emirates  
T +971/4 340 4646  
F +971/4 299 3531  
info@zumtobel.ae  
zumtobel.ae

### Romania

Zumtobel Lighting Romania SRL  
Radu Greceanu Street, no.2,  
Ground Floor, sector 1  
012225 Bucharest  
T +40 31225 38 01  
F +40 31225 38 04  
welcome.ro@zumtobel.com  
zumtobel.com

### Hungary

ZG Lighting Hungary Kft.  
Váci út 49  
1134 Budapest  
T +36/(1) 450 2490  
F +36/(1) 350 0829  
welcome@zumtobel.hu  
zumtobel.hu

### Croatia

ZG Lighting d.o.o.  
Radnička cesta 80  
10000 Zagreb  
T +385/(1) 64 04 080  
F +385/(1) 64 04 090  
welcome@zumtobel.hr

### Bosnia and Herzegovina

ZG Lighting d.o.o.  
Topal Osman Pase 18  
71000 Sarajevo  
M +387 61 172240  
welcome.ba@zumtobel.com

### Serbia

ZG Lighting d.o.o.  
Beton hala – Karadorđeva 2-4  
11000 Belgrade  
M +381 69 54 44 802  
welcome@zumtobel.rs

### Czech Republic

ZG Lighting Czech Republic s.r.o.  
Jankovcova 2  
Praha 7  
17000 Praha  
T +420 266 782 200  
F +420 266 782 201  
welcome@zumtobel.cz  
zumtobel.cz

### Slovak Republic

ZG Lighting Slovakia s.r.o.  
Vičie Hrdlo 1,  
824 12 Bratislava  
welcome@zumtobel.sk  
zumtobel.sk

### Poland

ZG Lighting Polska Sp. z o.o.  
Woloska 9a  
Platinum Business Park III  
02-583 Warszawa  
T +48 22 856 74 31  
zgpolska@zumtobelgroup.com  
zumtobel.pl

### Slovenia

ZG Lighting d.o.o.  
Štukljeva cesta 46  
1000 Ljubljana  
T +386/(1) 5609 820  
F +386/(1) 5609 866  
si.welcome@zumtobelgroup.com  
zumtobel.si

### Russia

Zumtobel Lighting GmbH  
Official Representative Office  
Skakovaya Str. 17  
Bld. No 1, Office 1104  
125040 Moscow  
T +7/(495) 945 36 33  
F +7/(495) 945 16 94  
info-russia@zumtobel.com  
zumtobel.ru

### Norway

Zumtobel Belysning  
Stromsveien 344  
1081 Oslo  
T +47 22 82 07 00  
info.no@zumtobel.com  
zumtobel.no

### Sweden

Zumtobel Belysning  
Birger Jarlsgatan 57  
11356 Stockholm  
T +46 8 262650  
info.se@zumtobel.com  
zumtobel.se

### Denmark

Zumtobel Belysning  
Stamholmen 155, 5. sal  
2650 Hvidovre  
T +45 35 43 70 00  
info.dk@zumtobel.com  
zumtobel.dk

### Headquarters

Zumtobel Lighting GmbH  
Schweizer Strasse 30  
Postfach 72  
6851 Dornbirn, AUSTRIA  
T +43/(0)5572/390-0  
info@zumtobel.info

ZG Licht Mitte-Ost GmbH  
Grevensmarschstrasse 74-78  
32657 Lemgo, GERMANY  
T +49/(0)5261 212-0  
F +49/(0)5261 212-7777  
info@zumtobel.de

### zumtobel.com





**ZUMTOBEL**

## **Light and Façades**

From architectural emphasis  
to emotive centre stage  
settings.

